



Bid Number/बोली क्रमांक (बिड संख्या):

GEM/2024/B/4543047

Dated/दिनांक : 12-02-2024

Bid Document/ बिड दस्तावेज़

Bid Details/बिड विवरण	
Bid End Date/Time/बिड बंद होने की तारीख/समय	13-03-2024 10:00:00
Bid Opening Date/Time/बिड खुलने की तारीख/समय	13-03-2024 10:30:00
Bid Offer Validity (From End Date)/बिड पेशकश वैधता (बंद होने की तारीख से)	120 (Days)
Ministry/State Name/मंत्रालय/राज्य का नाम	Ministry Of Finance
Department Name/विभाग का नाम	Department Of Economic Affairs
Organisation Name/संगठन का नाम	Security Printing And Minting Corporation Of India Limited (spmci)
Office Name/कार्यालय का नाम	Janpath
Total Quantity/कुल मात्रा	12
Item Category/मद केटेगरी	HEATERS 30 KW, P O 01 GDB 20 AC 001 (Q3) , HEATERS 10 KW, P O 01 GDN 30 AC 001 (Q3) , HEATERS 3.5 KW, P O 01 GDB 30 AC 001 (Q3) , HEATER 400 V, 24 KW, 1.4571, Ty-01 GDS 30 AT 002 (Q3)
Minimum Average Annual Turnover of the bidder (For 3 Years)/बिडर का न्यूनतम औसत वार्षिक टर्नओवर (3 वर्षों का)	2 Lakh (s)
Years of Past Experience Required for same/similar service/उन्हीं/समान सेवाओं के लिए अपेक्षित विगत अनुभव के वर्ष	1 Year (s)
MSE Exemption for Years Of Experience/अनुभव के वर्षों से एमएसई छूट/ and Turnover/टर्नओवर के लिए एमएसई को छूट प्राप्त है	Yes
Startup Exemption for Years Of Experience/अनुभव के वर्षों से स्टार्टअप छूट/ and Turnover/ टर्नओवर के लिए स्टार्टअप को छूट प्राप्त है	Yes
Document required from seller/विक्रेता से मांगे गए दस्तावेज़	Experience Criteria,Past Performance,Bidder Turnover,Certificate (Requested in ATC) *In case any bidder is seeking exemption from Experience / Turnover Criteria, the supporting documents to prove his eligibility for exemption must be uploaded for evaluation by the buyer
Past Performance/विगत प्रदर्शन	40 %

Bid Details/बिड विवरण

Bid to RA enabled/बिड से रिवर्स नीलामी सक्रिय किया	No
Type of Bid/बिड का प्रकार	Two Packet Bid
Primary product category	HEATERS 30 KW, P O 01 GDB 20 AC 001
Time allowed for Technical Clarifications during technical evaluation/तकनीकी मूल्यांकन के दौरान तकनीकी स्पष्टीकरण हेतु अनुमत समय	4 Days
Inspection Required (By Empanelled Inspection Authority / Agencies pre-registered with GeM)	No
Evaluation Method/मूल्यांकन पद्धति	Total value wise evaluation

EMD Detail/ईएमडी विवरण

Required/आवश्यकता	No
-------------------	----

ePBG Detail/ईपीबीजी विवरण

Required/आवश्यकता	No
-------------------	----

Splitting/विभाजन

Bid splitting not applied/बोली विभाजन लागू नहीं किया गया.

MII Purchase Preference/एमआईआई खरीद वरीयता

MII Purchase Preference/एमआईआई खरीद वरीयता	Yes
--	-----

MSE Purchase Preference/एमएसई खरीद वरीयता

MSE Purchase Preference/एमएसई खरीद वरीयता	Yes
---	-----

1. If the bidder is a Micro or Small Enterprise as per latest definitions under MSME rules, the bidder shall be exempted from the requirement of "Bidder Turnover" criteria and "Experience Criteria" subject to meeting of quality and technical specifications. If the bidder is OEM of the offered products, it would be exempted from the "OEM Average Turnover" criteria also subject to meeting of quality and technical specifications. In case any bidder is seeking exemption from Turnover / Experience Criteria, the supporting documents to prove his eligibility for exemption must be uploaded for evaluation by the buyer.
2. If the bidder is a Startup, the bidder shall be exempted from the requirement of "Bidder Turnover" criteria and "Experience Criteria" subject to their meeting of quality and technical specifications. If the bidder is OEM of the offered products, it would be exempted from the "OEM Average Turnover" criteria also subject to meeting of

quality and technical specifications. In case any bidder is seeking exemption from Turnover / Experience Criteria, the supporting documents to prove his eligibility for exemption must be uploaded for evaluation by the buyer.

3. The minimum average annual financial turnover of the bidder during the last three years, ending on 31st March of the previous financial year, should be as indicated above in the bid document. Documentary evidence in the form of certified Audited Balance Sheets of relevant periods or a certificate from the Chartered Accountant / Cost Accountant indicating the turnover details for the relevant period shall be uploaded with the bid. In case the date of constitution / incorporation of the bidder is less than 3-year-old, the average turnover in respect of the completed financial years after the date of constitution shall be taken into account for this criteria.

4. Experience Criteria: In respect of the filter applied for experience criteria, the Bidder or its OEM {themselves or through reseller(s)} should have regularly, manufactured and supplied same or similar Category Products to any Central / State Govt Organization / PSU / Public Listed Company for number of Financial years as indicated above in the bid document before the bid opening date. Copies of relevant contracts to be submitted along with bid in support of having supplied some quantity during each of the Financial year. In case of bunch bids, the category of primary product having highest value should meet this criterion.

5. Preference to Make In India products (For bids < 200 Crore):Preference shall be given to Class 1 local supplier as defined in public procurement (Preference to Make in India), Order 2017 as amended from time to time and its subsequent Orders/Notifications issued by concerned Nodal Ministry for specific Goods/Products. The minimum local content to qualify as a Class 1 local supplier is denoted in the bid document. If the bidder wants to avail the Purchase preference, the bidder must upload a certificate from the OEM regarding the percentage of the local content and the details of locations at which the local value addition is made along with their bid, failing which no purchase preference shall be granted. In case the bid value is more than Rs 10 Crore, the declaration relating to percentage of local content shall be certified by the statutory auditor or cost auditor, if the OEM is a company and by a practicing cost accountant or a chartered accountant for OEMs other than companies as per the Public Procurement (preference to Make-in -India) order 2017 dated 04.06.2020. Only Class-I and Class-II Local suppliers as per MII order dated 4.6.2020 will be eligible to bid. Non - Local suppliers as per MII order dated 04.06.2020 are not eligible to participate. However, eligible micro and small enterprises will be allowed to participate. The buyers are advised to refer the OM No.F.1/4/2021-PPD dated 18.05.2023 [OM No.1 4 2021 PPD dated 18.05.2023](#) for compliance of Concurrent application of Public Procurement Policy for Micro and Small Enterprises Order, 2012 and Public Procurement (Preference to Make in India) Order, 2017.

6. Purchase preference to Micro and Small Enterprises (MSEs): Purchase preference will be given to MSEs as defined in Public Procurement Policy for Micro and Small Enterprises (MSEs) Order, 2012 dated 23.03.2012 issued by Ministry of Micro, Small and Medium Enterprises and its subsequent Orders/Notifications issued by concerned Ministry. If the bidder wants to avail the Purchase preference, the bidder must be the manufacturer of the offered product in case of bid for supply of goods. Traders are excluded from the purview of Public Procurement Policy for Micro and Small Enterprises. In respect of bid for Services, the bidder must be the Service provider of the offered Service. Relevant documentary evidence in this regard shall be uploaded along with the bid in respect of the offered product or service. If L-1 is not an MSE and MSE Seller (s) has/have quoted price within L-1+ 15% (Selected by Buyer) of margin of purchase preference /price band defined in relevant policy, such Seller shall be given opportunity to match L-1 price and contract will be awarded for 25%(selected by Buyer) percentage of total QUANTITY. The buyers are advised to refer the OM No.F.1/4/2021-PPD dated 18.05.2023

[OM No.1 4 2021 PPD dated 18.05.2023](#) for compliance of Concurrent application of Public Procurement Policy for Micro and Small Enterprises Order, 2012 and Public Procurement (Preference to Make in India) Order, 2017.

7. Past Performance: The Bidder or its OEM {themselves or through re-seller(s)} should have supplied same or similar Category Products for 40% of bid quantity, in at least one of the last three Financial years before the bid opening date to any Central / State Govt Organization / PSU / Public Listed Company. Copies of relevant contracts (proving supply of cumulative order quantity in any one financial year) to be submitted along with bid in support of quantity supplied in the relevant Financial year. In case of bunch bids, the category related to primary product having highest bid value should meet this criterion.

HEATERS 30 KW, P O 01 GDB 20 AC 001 (2 pieces)

(Minimum 50% and 20% Local Content required for qualifying as Class 1 and Class 2 Local Supplier respectively/कमशः श्रेणी 1 और श्रेणी 2 के स्थानीय आपूर्तिकर्ता के रूप में अर्हता प्राप्त करने के लिए आवश्यक)

Technical Specifications/तकनीकी विशिष्टियाँ

Buyer Specification Document/क्रेता विशिष्टि दस्तावेज़	Download
--	--------------------------

Consignees/Reporting Officer/परेषिती/रिपोर्टिंग अधिकारी and/ तथा Quantity/मात्रा

S.No./क्र. सं.	Consignee Reporting/Officer/ परेषिती/रिपोर्टिंग अधिकारी	Address/पता	Quantity/मात्रा	Delivery Days/डिलीवरी के दिन
1	Amlesh Kumar	422101,Currency Note Press, Nashik Road Nashik , Maharashtra	2	45

HEATERS 10 KW, P O 01 GDN 30 AC 001 (2 pieces)

(Minimum 50% and 20% Local Content required for qualifying as Class 1 and Class 2 Local Supplier respectively/क्रमशः श्रेणी 1 और श्रेणी 2 के स्थानीय आपूर्तिकर्ता के रूप में अर्हता प्राप्त करने के लिए आवश्यक)

Technical Specifications/तकनीकी विशिष्टियाँ

Buyer Specification Document/क्रेता विशिष्टि दस्तावेज़	Download
--	--------------------------

Consignees/Reporting Officer/परेषिती/रिपोर्टिंग अधिकारी and/ तथा Quantity/मात्रा

S.No./क्र. सं.	Consignee Reporting/Officer/ परेषिती/रिपोर्टिंग अधिकारी	Address/पता	Quantity/मात्रा	Delivery Days/डिलीवरी के दिन
1	Amlesh Kumar	422101,Currency Note Press, Nashik Road Nashik , Maharashtra	2	45

HEATERS 3.5 KW, P O 01 GDB 30 AC 001 (2 pieces)

(Minimum 50% and 20% Local Content required for qualifying as Class 1 and Class 2 Local Supplier respectively/क्रमशः श्रेणी 1 और श्रेणी 2 के स्थानीय आपूर्तिकर्ता के रूप में अर्हता प्राप्त करने के लिए आवश्यक)

Technical Specifications/तकनीकी विशिष्टियाँ

Buyer Specification Document/क्रेता विशिष्टि दस्तावेज़	Download
--	--------------------------

Consignees/Reporting Officer/परेषिती/रिपोर्टिंग अधिकारी and/ तथा Quantity/मात्र

S.No./क्र. सं.	Consignee Reporting/Officer/ परेषिती/रिपोर्टिंग अधिकारी	Address/पता	Quantity/मात्र	Delivery Days/डिलीवरी के दिन
1	Amlesh Kumar	422101,Currency Note Press, Nashik Road Nashik , Maharashtra	2	45

HEATER 400 V, 24 KW, 1.4571, Ty-01 GDS 30 AT 002 (6 pieces)

(Minimum 50% and 20% Local Content required for qualifying as Class 1 and Class 2 Local Supplier respectively/क्रमशः श्रेणी 1 और श्रेणी 2 के स्थानीय आपूर्तिकर्ता के रूप में अर्हता प्राप्त करने के लिए आवश्यक)

Technical Specifications/तकनीकी विशिष्टियाँ

Buyer Specification Document/क्रेता विशिष्टि दस्तावेज़	Download
--	--------------------------

Consignees/Reporting Officer/परेषिती/रिपोर्टिंग अधिकारी and/ तथा Quantity/मात्र

S.No./क्र. सं.	Consignee Reporting/Officer/ परेषिती/रिपोर्टिंग अधिकारी	Address/पता	Quantity/मात्र	Delivery Days/डिलीवरी के दिन
1	Amlesh Kumar	422101,Currency Note Press, Nashik Road Nashik , Maharashtra	6	45

Buyer Added Bid Specific Terms and Conditions/क्रेता द्वारा जोड़ी गई बिड की विशेष शर्तें**1. Generic**

OPTION CLAUSE: The Purchaser reserves the right to increase or decrease the quantity to be ordered up to 25 percent of bid quantity at the time of placement of contract. The purchaser also reserves the right to increase the ordered quantity by up to 25% of the contracted quantity during the currency of the contract at the contracted rates. Bidders are bound to accept the orders accordingly.

2. Certificates

Bidder's offer is liable to be rejected if they don't upload any of the certificates / documents sought in the Bid document, ATC and Corrigendum if any.

3. **Generic**

Bidders are advised to check applicable GST on their own before quoting. Buyer will not take any responsibility in this regards. GST reimbursement will be as per actuals or as per applicable rates (whichever is lower), subject to the maximum of quoted GST %.

4. **Buyer Added Bid Specific ATC**

Buyer Added text based ATC clauses

A) TECHNICAL SPECIFICATION:

-

ITEM NO.01

Heater 30 kW,P.O-01 GDB 20 AC 001

Supply Voltage : 3 Ph 400Volt +/- 10% 50Hz

Electrical heater: 30KW,

Heating element Nickel /Chrome

Suitable for use in Medium-Alkaline solution

Dimesions: please refer attached Drwg :no. 112953

Existing Make- Elho,

The heater should work under min. 6 bar pressure in alkaline solution .

The heater shall be provided with necessary earthing point .

The Connection Terminals shall be provided with Water proof Terminal cover.

The heaters shall be tested for Hydro pressure test for the assy. At min 8.5bar

Tested for Leakage& Hydrostatic strength .

Qty : 2 Nos.

Note : Please refer attached drawing.

ITEM NO.02

Heater 10 kW, P.O-01 GDN 30 AC 001

Supply Voltage: 3 Ph 400Volt +/- 10% ,50Hz

Electrical heater: 10KW,

Suitable for use in Medium-Alkaline solution,

Heating element Nickel /Chrome

Suitable for use in Medium-Alkaline solution,

Dimesions : please refer attached Drwg :no. 112954

Existing Make- Elho,

The heater should work under min. 6 bar pressure in alkaline solution .

The heater shall be provided with necessary earthing point .

The Connection Terminals shall be provided with Water proof Terminal cover.

The heaters shall be tested for Hydro pressure test for the assy. At min 8.5bar.

Tested for Leakage& Hydrostatic strength.

Qty : 2 Nos.

Note : Please refer attached drawing.

ITEM NO.03

Heater 3.5 kW, P.O-01 GDB 30 AC 001

Supply Voltage : 3 Ph 400Volt +/- 10% 50Hz

Electrical heater: 3.5KW,

Heating element Nickel /Chrome

Suitable for use in Medium-Alkaline solution,

Heating element Nickel /Chrome

Suitable for use in Medium-Alkaline solution,

Dimesions : please refer attached Drwg :no. 112955

Existing Make- Elho,

The heater should work under min. 6 bar pressure in alkaline solution .

The heater shall be provided with necessary earthing point .

The Connection Terminals shall be provided with Water proof Terminal cover.

The heaters shall be tested for Hydro pressure test for the assy. At min 8.5bar.

Tested for Leakage& Hydrostatic strength .

Qty : 2 Nos.

Note : Please refer attached drawing.

ITEM NO.04

Heater 400V, 24kW, 1.4571, Ty-01 GDS 30 AT 002

Supply Voltage : 3 Ph 400Volt +/- 10% 50Hz

Electrical heater: 24KW,

Heating element Nickel /Chrome

Suitable for use in Medium-Soft water ,

Heating element Nickel /Chrome

Dimensions : please refer attached Drwg :no.Steam generator heater E6-E72

Existing Make- Certuss

The heater should work under min. 10 bar pressure in soft water and 180 Degree temperature.

The heater shall be provided with necessary earthing point .

The Connection Terminals shall be provided with Water proof Terminal cover.

The heaters shall be tested for Hydro pressure test for the assy. .

Tested for Leakage& Hydrostatic strength .

Ref attached drawing of heater for dimensional details.

Qty : 6 Nos.

Note : Please refer attached drawing.

Terms and conditions:

1. Any deviations in dimensions will not be accepted. Ref attached drawing of heater for dimensional details.
2. Any deviations from the technical specification are liable to be rejected.
3. The firm should provide Pressure test report & 1 year warranty for the offered product.

B) MINIMUM ELIGIBILITY CRITERIA

The following shall be the minimum eligibility criteria for selection of bidders:

1. Experience and past performance:

The bidder i.e. Manufacturer or Supplier should have supplied at least 5 nos of similar type or higher specification of Heaters in any one year during last 5 years ending 31.03.2023.

2. Capacity and Capability:

The bidder i.e. Manufacturer or Supplier should have supplied at least 5 nos of similar type or higher specification of Heaters.

3. Financial Standing:

(a) Average Annual turnover of the bidder firm should be more than Rs.1,36,880/- during last three years i.e. 2020-2021, 2021-2022 and 2022-2023.

(b) Bidder firm should not have suffered any financial loss for more than one year during the last three financial years i.e. 2020-2021, 2021-2022 and 2022-2023.

(c) The net worth of the firm should not be negative in FY 2021-2022 and should not have eroded by more than 30% in the last three financial years i.e. 2020-2021, 2021-2022 and 2022-2023.

4. The bidder should give undertaking/declaration that they have read and understood all the terms (with technical specification & drawings) & conditions of tender documents and submitting unconditional acceptance to all terms & conditions.

5. The bidder shall submit offered product catalogue with technical bid along with Drawings.

6. The bidder has submitted valid authorized Distributor/Dealer certificate.

7. Acceptance of GCC & GIT.

Please CLICK the link for further details

<https://spmCIL.com/uploaddocument/GIT/new.pdf>

<https://spmCIL.com/uploaddocument/GCC/new.pdf>

8. Note:-

(i) In support of experience criteria, the bidder has to submit attested copies of P.O's, Experience certificates issued by customers.

(ii) All experience, past performance & capacity/ capability related/data should be certified by the authorized signatory of the bidder firm. The credentials regarding experience and past performance to the extent required as per eligibility criteria submitted by bidder may be verified from the parties for whom work has been done.

(iii) All financial standing data such as Balance Sheet, Profit & Loss account statement etc. should be certified by certified accountants e.g. Chartered Accounts. Financial statement duly certified by CA for year 2020-2021, 2021-2022 and 2022-2023 to be submitted with UDIN No.

Bidder to furnish stipulated documents support of fulfillment of qualifying criteria. Non submission or incomplete submission of documents may lead to rejection of offer.

5. Warranty

Warranty period of the supplied products shall be 1 years from the date of final acceptance of goods or after completion of installation, commissioning & testing of goods (if included in the scope of supply), at consignee location. OEM Warranty certificates must be submitted by Successful Bidder at the time of delivery of Goods. The seller should guarantee the rectification of goods in case of any break down during the guarantee period. Seller should have well established Installation, Commissioning, Training, Troubleshooting and Maintenance Service group in INDIA for attending the after sales service. Details of

Service Centres near consignee destinations are to be uploaded along with the bid.

6. Generic

Supplier shall ensure that the Invoice is raised in the name of Consignee with GSTIN of Consignee only.

7. Generic

While generating invoice in GeM portal, the seller must upload scanned copy of GST invoice and the screenshot of GST portal confirming payment of GST.

8. Generic

Data Sheet of the product(s) offered in the bid, are to be uploaded along with the bid documents. Buyers can match and verify the Data Sheet with the product specifications offered. In case of any unexplained mismatch of technical parameters, the bid is liable for rejection.

9. Buyer Added Bid Specific ATC

Buyer uploaded ATC document [Click here to view the file.](#)

Disclaimer/अस्वीकरण

The additional terms and conditions have been incorporated by the Buyer after approval of the Competent Authority in Buyer Organization, whereby Buyer organization is solely responsible for the impact of these clauses on the bidding process, its outcome, and consequences thereof including any eccentricity / restriction arising in the bidding process due to these ATCs and due to modification of technical specifications and / or terms and conditions governing the bid. Any clause(s) incorporated by the Buyer regarding following shall be treated as null and void and would not be considered as part of bid:-

1. Definition of Class I and Class II suppliers in the bid not in line with the extant Order / Office Memorandum issued by DPIIT in this regard.
2. Seeking EMD submission from bidder(s), including via Additional Terms & Conditions, in contravention to exemption provided to such sellers under GeM GTC.
3. Publishing Custom / BOQ bids for items for which regular GeM categories are available without any Category item bunched with it.
4. Creating BoQ bid for single item.
5. Mentioning specific Brand or Make or Model or Manufacturer or Dealer name.
6. Mandating submission of documents in physical form as a pre-requisite to qualify bidders.
7. Floating / creation of work contracts as Custom Bids in Services.
8. Seeking sample with bid or approval of samples during bid evaluation process.
9. Mandating foreign / international certifications even in case of existence of Indian Standards without specifying equivalent Indian Certification / standards.
10. Seeking experience from specific organization / department / institute only or from foreign / export experience.
11. Creating bid for items from irrelevant categories.
12. Incorporating any clause against the MSME policy and Preference to Make in India Policy.
13. Reference of conditions published on any external site or reference to external documents/clauses.
14. Asking for any Tender fee / Bid Participation fee / Auction fee in case of Bids / Forward Auction, as the case may be.

Further, if any seller has any objection/grievance against these additional clauses or otherwise on any aspect of this bid, they can raise their representation against the same by using the Representation window provided in the bid details field in Seller dashboard after logging in as a seller within 4 days of bid publication on GeM. Buyer is duty bound to reply to all such representations and would not be allowed to open bids if he fails to reply to such representations.

This Bid is also governed by the General Terms and Conditions/ यह बिड सामान्य शर्तों के अंतर्गत भी शासित है

In terms of GeM GTC clause 26 regarding Restrictions on procurement from a bidder of a country which shares a land border with India, any bidder from a country which shares a land border with India will be eligible to bid in this tender only if the bidder is registered with the Competent Authority. While participating in bid, Bidder has to undertake compliance of this and any false declaration and non-compliance of this would be a ground for immediate termination of the contract and further legal action in accordance with the laws./जेम की सामान्य शर्तों के खंड 26 के संदर्भ में भारत के साथ भूमि सीमा साझा करने वाले देश के बिडर से खरीद पर प्रतिबंध के संबंध में भारत के साथ भूमि सीमा साझा करने वाले देश का कोई भी बिडर इस निविदा में बिड देने के लिए तभी पात्र होगा जब वह बिड देने वाला सक्षम प्राधिकारी के पास पंजीकृत हो। बिड में भाग लेते समय बिडर को इसका अनुपालन करना होगा और कोई भी गलत घोषणा किए जाने व इसका अनुपालन न करने पर अनुबंध को तत्काल समाप्त करने और कानून के अनुसार आगे की कानूनी कार्रवाई का आधार होगा।

---Thank You/धन्यवाद---

TECHNICAL SPECIFICATION:

ITEM NO.01

Heater 30 kW,P.O-01 GDB 20 AC 001

Supply Voltage : 3 Ph 400Volt +/- 10% 50Hz

Electrical heater: 30KW,

Heating element Nickel /Chrome

Suitable for use in Medium-Alkaline solution

Dimensions: please refer attached Drwg :no. 112953

Existing Make- Elho,

The heater should work under min. 6 bar pressure in alkaline solution .

The heater shall be provided with necessary earthing point .

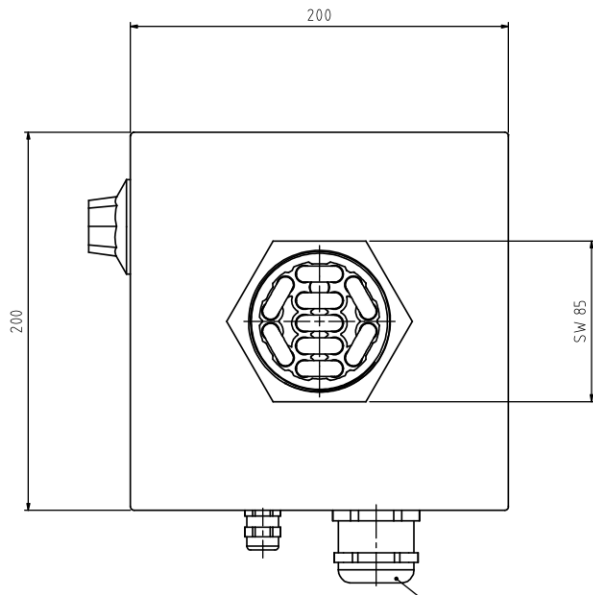
The Connection Terminals shall be provided with Water proof Terminal cover.

The heaters shall be tested for Hydro pressure test for the assy. At min 8.5bar

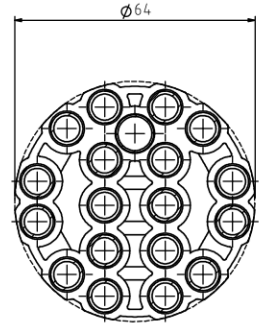
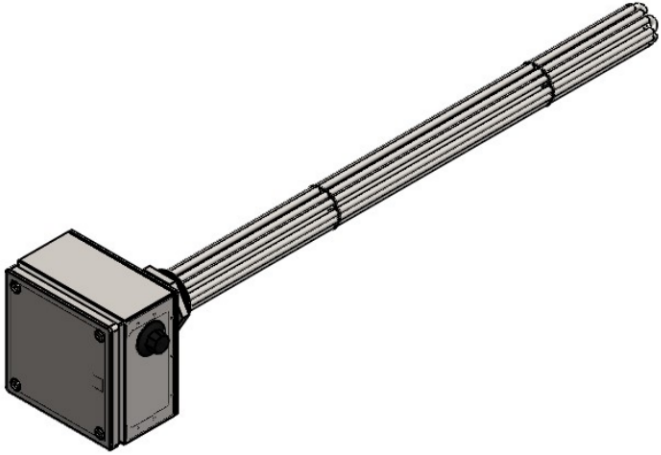
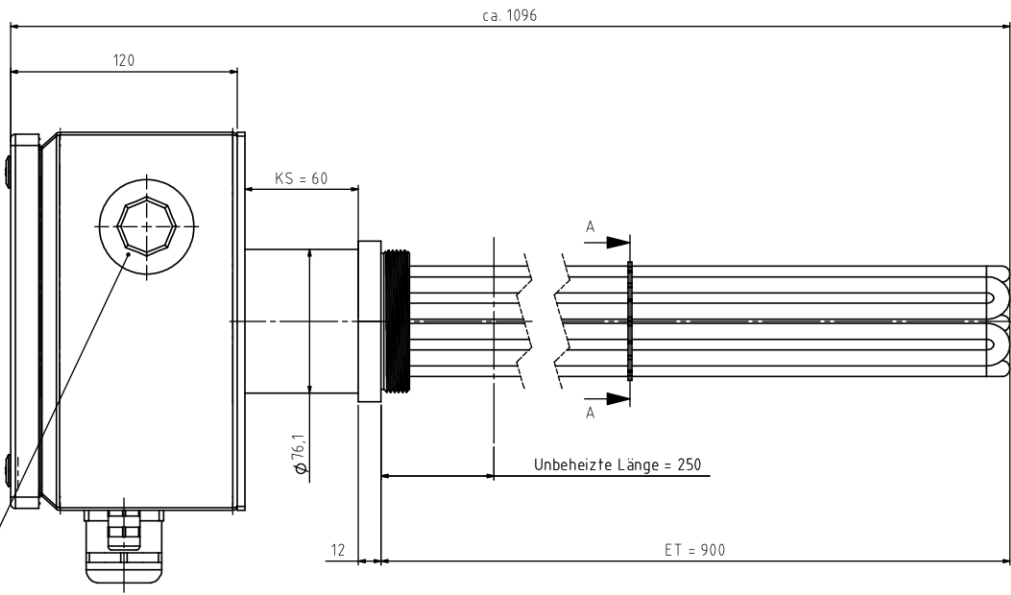
Tested for Leakage& Hydrostatic strength .

Qty : 2 Nos.

Das Urheberrecht an dieser Zeichnung verbleibt uns. Sie darf ohne unsere Genehmigung nicht weitergegeben werden. Nachdruck, Vervielfältigung und Verbreitung, auch auszugsweise, ist ohne schriftliche Genehmigung unserer Rechte zühl. zühl. und Streifliche Verfolgung nach such.



Drehregler
KV: 1 x M40; 1 x M16



SCHNITT A-A
MAßSTAB 1:1

Technische Daten / technical data

Medium / medium:	Wasser
Durchfluss / flow:	-
min./max. Temp.:	+5/+95°C
min./max. Druck/Pressure:	6,0 bar(ü)
Prüfdruck / test pressure:	8,6 bar(ü)
Spannung / voltag:	400 V 3~
Leistung / power:	30 kW (+5/-10%)
Stufen / power stages:	1
Einbaulage/install. position:	senkrecht
Gewicht / weight:	-

Allgemeintoleranzen: ISO 2768-mk; EN ISO 13920-B; DIN6930-2-m			Auftrags-Nr. / order:		-
Tolerierung ISO 8015, Schweißnähte: DIN EN ISO 5817-C			Kunde / customer:		-
			FA-Nr. / production-No.:		-
Bezeichnung / description					
Einschraubheizkörper SEHK 30 kW					
Datum / date			Name		
gez./drawn:			11.03.2020 P. Pankraz		
gepr./checked:			11.03.2020 J. Löwen		
Format/size		Maßstab / scale		Rev.	
A2		1:2		A	
Blatt / page:		1		Zeichnungs-Nr. / drawing-no.	
von / of:		1		112953	
				Artikel-Nr. / item-no.	
				112953	



TECHNICAL SPECIFICATION:

Heater 10 kW, P.O-01 GDN 30 AC 001

Supply Voltage: 3 Ph 400Volt +/- 10% ,50Hz

Electrical heater: 10KW,

Suitable for use in Medium-Alkaline solution,

Heating element Nickel /Chrome

Suitable for use in Medium-Alkaline solution,

Dimesions : please refer attached Drwg :no. 112954

Existing Make- Elho,

The heater should work under min. 6 bar pressure in alkaline solution .

The heater shall be provided with necessary earthing point .

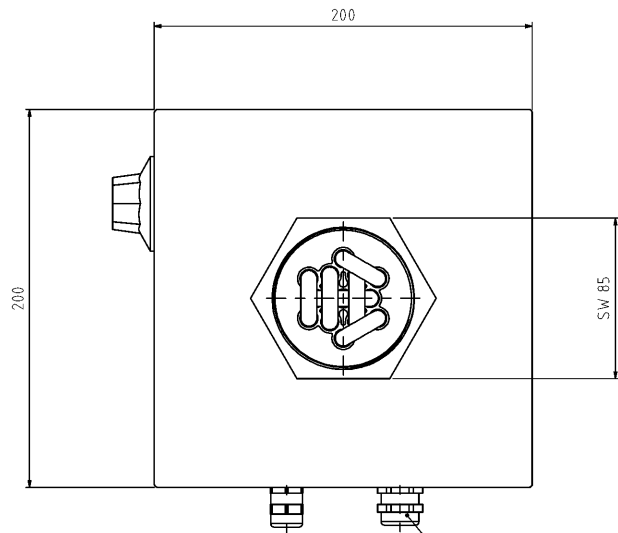
The Connection Terminals shall be provided with Water proof Terminal cover.

The heaters shall be tested for Hydro pressure test for the assy. At min 8.5bar.

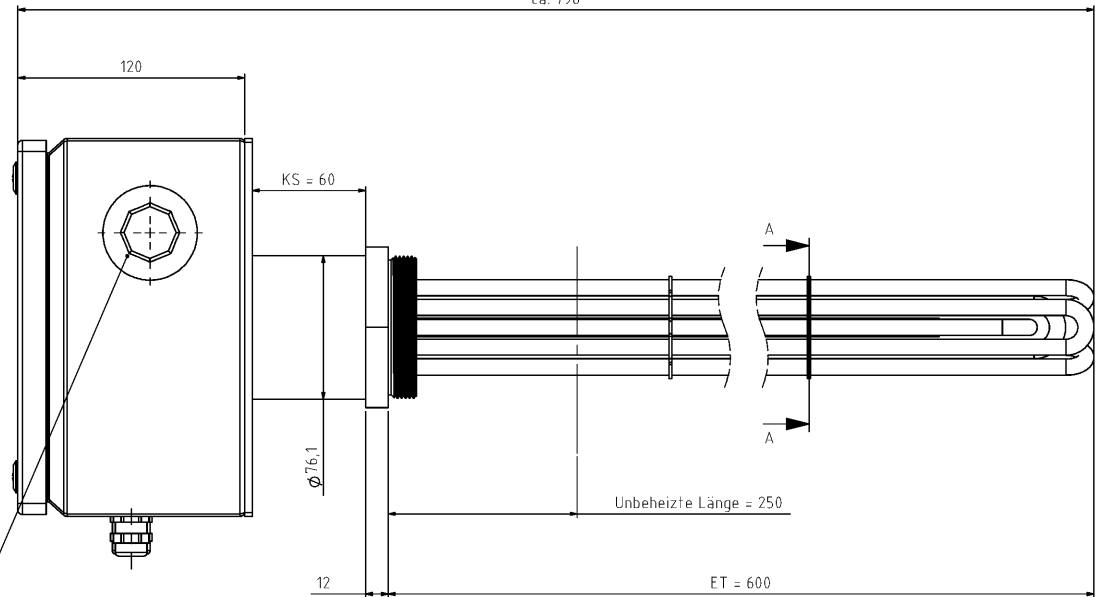
Tested for Leakage& Hydrostatic strength.

Qty : 2 Nos.

Das Urheberrecht an dieser Zeichnung verbleibt uns. Sie darf ohne unsere Genehmigung nicht weitergegeben werden. Nachdruck, Vervielfältigung und Verbreitung, auch auszugsweise, ist ohne schriftliche Genehmigung unserer Rechte zivil- und strafrechtlich verfolgt nach sich.

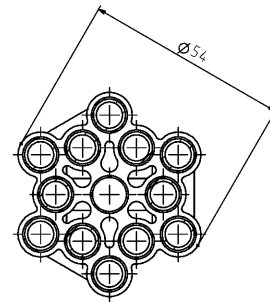
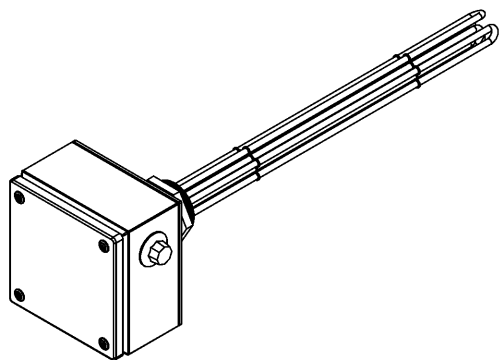


KV: 1 x M4,0; 1 x M16



ca. 796

Drehregler



SCHNITT A-A
MAßSTAB 1 : 1

Technische Daten / technical data

Medium / medium:	Wasser
Durchfluss / flow:	-
min./max. Temp:	+5/+95°C
min./max. Druck/Pressure:	6,0 bar(fü)
Prüfdruck / test pressure:	8,6 bar(fü)
Spannung / voltag:	400 V 3~
Leistung / power:	10 kW (+5/-10%)
Stufen / power stages:	1
Einbaulage/install. position:	senkrecht
Gewicht / weight:	-

Allgemeintoleranzen ISO 2768-mk; EN ISO 13920-B; DIN 6930-2-m Tolerierung ISO 8015, Schweißnähte DIN EN ISO 5817-C			Auftrags-Nr. / order: -	
			Kunde / customer: -	
			FA-Nr. / production-No.: -	
			Bezeichnung / description	
			Einschraubheizkörper SEHK 10 kW	
			Zeichnungs-Nr. / drawing-no.	
			112954	
			Artikel-Nr. / item-no.	
			112954	

Format/size	Maßstab / scale	Rev.
A2	1:2	A
Blatt / page	von / of:	
1	1	



TECHNICAL SPECIFICATION:

Heater 3.5 kW, P.O-01 GDB 30 AC 001

Supply Voltage : 3 Ph 400Volt +/- 10% 50Hz

Electrical heater: 3.5KW,

Heating element Nickel /Chrome

Suitable for use in Medium-Alkaline solution,

Heating element Nickel /Chrome

Suitable for use in Medium-Alkaline solution,

Dimensions : please refer attached Drwg :no. 112955

Existing Make- Elho,

The heater should work under min. 6 bar pressure in alkaline solution .

The heater shall be provided with necessary earthing point .

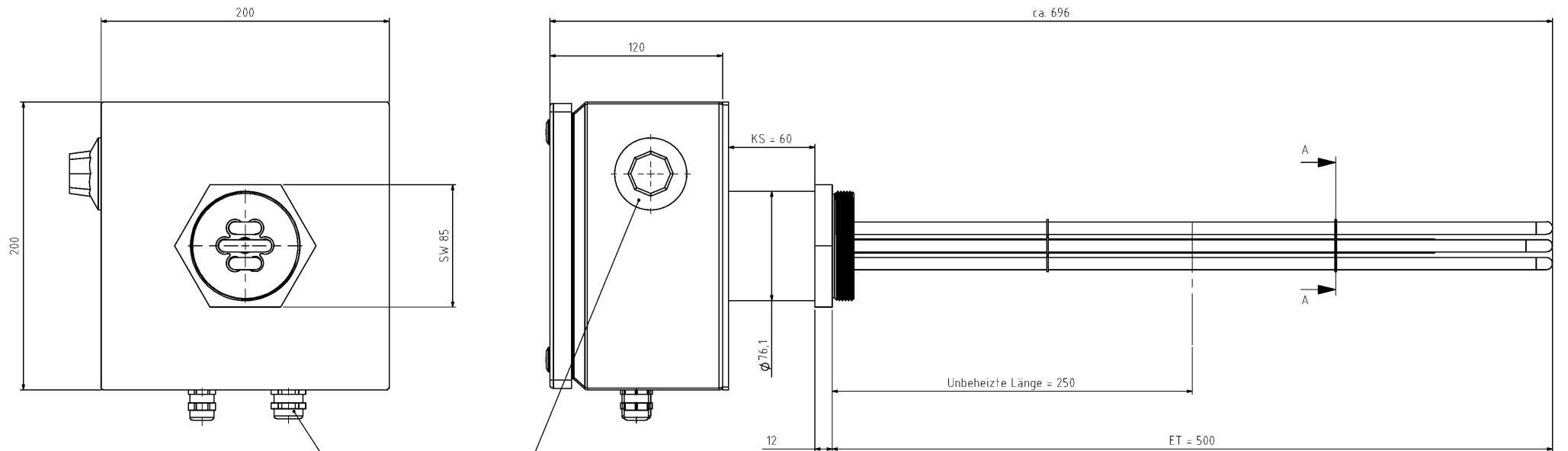
The Connection Terminals shall be provided with Water proof Terminal cover.

The heaters shall be tested for Hydro pressure test for the assy. At min 8.5bar.

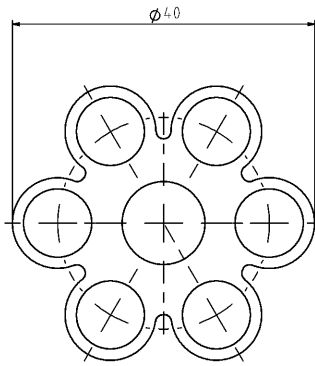
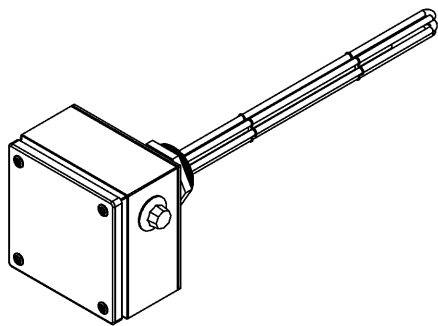
Tested for Leakage& Hydrostatic strength .

Qty : 2 Nos.

Das Urheberrecht an dieser Zeichnung verbleibt uns. Sie darf ohne unsere Genehmigung nicht weitergegeben werden. Nachdruck, Vervielfältigung und Verbreitung, auch auszugsweise, ist ohne schriftliche Genehmigung unserer Rechte zivil- und strafrechtlich verfolgt nach säch. Milfrach unserer Rechte zivil- und strafrechtlich verfolgt nach säch.



Drehregler
KV: 1 x M4,0; 1x M16



SCHNITT A-A
MAßSTAB 2 : 1

Technische Daten / technical data

Medium / medium:	Wasser
Durchfluss / flow:	-
min./max. Temp:	+5/+95°C
min./max. Druck/Pressure:	6,0 bar(fü)
Prüfdruck / test pressure:	8,6 bar(fü)
Spannung / voltag:	400 V 3~
Leistung / power:	3,5 kW (+5/-10%)
Stufen / power stages:	1
Einbaulage/install. position:	senkrecht
Gewicht / weight:	-

Allgemeintoleranzen ISO 2768-mk; EN ISO 13920-B; DIN6930-2-m Tolerierung ISO 8015, Schweißnähte DIN EN ISO 5817-C			Auftrags-Nr. / order: -		
			Kunde / customer: -		
			FA-Nr. / production-No.: -		
			Bezeichnung / description		
			Einschraubheizkörper SEHK 3,5 kW		
			Zeichnungs-Nr. / drawing-no.		
			112955		
			Artikel-Nr. / item-no.		
			112955		
Blatt / page: 1 von / of: 1		Format/size: A2	Maßstab / scale: 1:2	Rev: A	

TECHNICAL SPECIFICATION:

Heater 400V, 24kW, 1.4571, Ty-01 GDS 30 AT 002

Supply Voltage : 3 Ph 400Volt +/- 10% 50Hz

Electrical heater: 24KW,

Heating element Nickel /Chrome

Suitable for use in Medium-Soft water ,

Heating element Nickel /Chrome

Dimensions : please refer attached Drwg :no.Steam generator heater E6-E72

Existing Make- Certuss

The heater should work under min. 10 bar pressure in soft water and 180 Degree temperature.

The heater shall be provided with necessary earthing point .

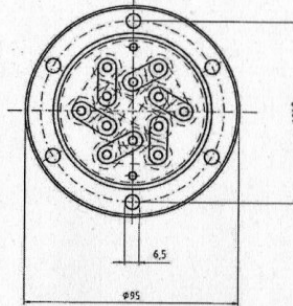
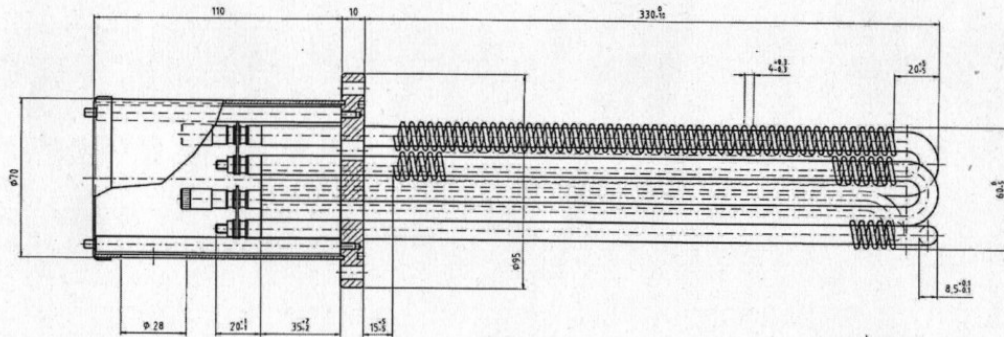
The Connection Terminals shall be provided with Water proof Terminal cover.

The heaters shall be tested for Hydro pressure test for the assy. .

Tested for Leakage& Hydrostatic strength .

Ref attached drawing of heater for dimensional details.

Qty : 6 Nos.



Draufsicht ohne Kappe

Heizstab C22	500V 24kW	Art.-Nr. 46.0034.7
Heizstab C22	460V 16kW	Art.-Nr. 46.0015.0
Heizstab C22	440V 24kW	Art.-Nr. 46.0015.2
Heizstab C22	400V 16kW	Art.-Nr. 46.0014.6
Heizstab C22	400V 24kW	Art.-Nr. 46.0013.4
Heizstab 1.4541	400V 16kW	Art.-Nr. 46.0016.9
Heizstab 1.4541	400V 24kW	Art.-Nr. 46.0017.7
Heizstab C22	230V 16kW	Art.-Nr. 46.0014.8
Heizstab C22	220V 24kW	Art.-Nr. 46.0013.5
Heizstab 1.4541	480V 16kW	Art.-Nr. 46.0017.2
Heizstab C22	400V 6kW	Art.-Nr. 46.0020.0
Heizstab 1.4541	400V 6kW	Art.-Nr. 46.0022.0
Heizstab C22	400V 12kW	Art.-Nr. 46.0020.5
Heizstab 1.4541	400V 12kW	Art.-Nr. 46.0022.5

Tech specs

		Art.-Nr.	Stück-Nr.	Kessel-Nr.	Vk-Nr.
Diese Zeichnung stellt einen Entwurf dar und darf weder kopiert, noch drucken, in beliebiger Form oder auf andere Weise veröffentlicht werden, ohne die schriftliche Genehmigung der CERTUSS GmbH & Co. KG.		03.004			
Diese Zeichnung stellt einen Entwurf dar und darf weder kopiert, noch drucken, in beliebiger Form oder auf andere Weise veröffentlicht werden, ohne die schriftliche Genehmigung der CERTUSS GmbH & Co. KG. Maßstab: 1:1 Blatt: A3 Gezeichnet von: mm Datum: 10.09.2009 Gezeichnet: 10.09.2009 Name: R. Jägerskiöld Unterschrift: R. Jägerskiöld Fertigt am: 11.09.2009		CERTUSS Dampf- und Wasserheizgeräte CERTUSS GmbH & Co. KG Industriestraße 1 47809 KLEIN OLFEN www.certuss.de		Fertiger: 65 47809 KLEIN OLFEN www.certuss.de Zeichnungsnummer: 03.004 LK/A: 0012 Ein. Nr. 2 Ein. Durch	