

Event Details

Event No:SPMCIL/Currency Note Press Nashik/Technical/22/23-24/ET/103[MACHINE CONTROL SYSTEM UP-GRAD]				Event Status
Trade:Goods				Event Activated
Description of Event:MACHINE CONTROL SYSTEM UP-GRAD				Activities
Mode:E-Tender_HTML	Type Of Tender: Open	Bid Submission: Eventwise	Public Opening: YES	Published on: 10-11-2023 18:22:18.06
EMD:779000.00 Tender Fee:Not Applicable		Document Upload:YES Coverwise Document Upload:YES		Activated on:10-11-2023 18:23:51.92 Tender Extended on: - Tender Opened on: - Price Opened on: - Event Cancelled on: -

Online Pre Bid Meeting	Bidding Period	Tender Opening Period	Price Bid Opening Date
Not Applicable	10.11.2023-06:30 PM To 12.12.2023-02:30 PM	12.12.2023-03:00 PM To 12.12.2024-03:00 PM	-

List Of Tender Document

SL. No.	Document Details	Document Type
1	23-24-ET-103[MACHINE CONTROL SYSTEM UP-GRAD]-173100-NIT-1280535-TENDERS.pdf	NIT

Vendor Document Upload Checklist For Technical COVER

SL. No.	Document Details
1	ALL THE REQUIRED DOCUMENTS AS PER SECTION IX ELEGIBILITY CRITERIAL AS PER NIT NO 6000018546
2	DULY SEALED AND SIGNED ALL TENDER DOCUMENTS AS PER NIT UPLODED

3	CONFIRMATION OF TECHNICAL SPECIFICATION AS PER SECTION VII OF THE NIT DOCUMENTS NO.6000018546
4	CONFIRMATION OF DELIVERY SCHEDULE AS PER CLAUSE NO 01 OF SECTION VI OF THE NIT DOCUMENTS NO 6000018546
5	CONFIRMATION OF PRICE VALIDITY FOR 120 DAYS FORM OPENING OF TECHNICAL BID IN FORM AS PER SECTION XOF NIT DOCUMENTS NO 6000018546
6	THE FIRM HAS SUBMIT COPY OF UTR GENERATED TOWARDS TRANSFER OF EMD AMOUNT AS MENTIONED IN NIT NO. 6000018546
7	IF A FIRM PARTICIPATED WITH MSME (UDYAM REGISTRATION CERTIFICATE), THE FIRM HAS SUBMIT BID SECURITY DECLARATION AS PER ANNEXURE-I PROVIDED IN NIT DOCUMENTS ON COMPANY'S LETTER HEAD

Vendor Document Upload Checklist For Price COVER

SL. No.	Document Details
1	BIDDER HAS TO SUBMIT DULY FILLED SIGNED AND SEALED PRICE SCHEDULE IN THE FORMAT AS PER NIT NO 6000018546

Tender Committee Members

Name	Designation	Office	Department	Email	Mobile No.	Encryption public key expiry date
KIRAN KUMAR VUPPALA	Jt. General Manager	Currency Note Press Nashik	Purchase,HR,Technical,Finance,IT, Marketing,R and D,Others	V.Kirankumar@spmcil.com	9096000418	2024-03-03 00:00:00.0

TUSHARKUMAR PRAKASH MAHAJAN	DGM	Currency Note Press Nashik	IT	tushar.mahajan@spmcil.com	8275022966	2024-03-03 00:00:00.0
-----------------------------	-----	----------------------------	----	---------------------------	------------	-----------------------

Common Terms

SECTION VI : LIST OF REQUIREMENT

Sl.No	Terms	Component
1	ACCEPTANCE OF SECTION VI : LIST OF REQUIREMENT AS PER TENDER NO. 6000018546	Agree Only

SECTION VII : TECHNICAL SPECIFICATION

Sl.No	Terms	Component
1	ACCEPTANCE OF SECTION VII : TECHNICAL SPECIFICATION AS PER TENDER NO. 6000018546	Agree Only

SECTION VIII : LIST OF REQUIREMENT

Sl.No	Terms	Component
1	ACCEPTANCE OF SECTION VIII : QUALITY CONTROL REQUIREMENT AS PER TENDER NO. 6000018546	Agree Only

SECTION IX : QUALIFICATION OR ELEGIBILITY CRITERIA

Sl.No	Terms	Component
1	Experience and past performance: The bidder should have experience of having successfully completed order for Supply Installation of Machine Control System with latest version PLC System and associated Electrical Electronic hardware of similar or higher specification of an order value of Rs.1,55,76,000- in any one year during last 5 years ending 31.03.2023.	Agree Only

2	<p>Capacity and Capability:</p> <p>The bidder should having capacity of successfully completing order for Supply & Installation of Machine Control System with latest version PLC System and associated Electrical /Electronic hardware.</p> <p>Note: All experience, past performance and capacity/ capability related data should be certified by the authorized signatory of the bidder firm.</p>	Agree Only
3	<p>Financial Standing:</p> <p>(a) Average Annual turnover of the bidder firm should be more than Rs. 1,55,76,000/- during last three years i.e. 2020-2021, 2021-2022 and 2022-2023.</p> <p>(b) Bidder firm should not have suffered any financial loss for more than one year during the last three financial years i.e. 2020-2021, 2021-2022 and 2022-2023.</p> <p>(c) The net worth of the firm should not be negative of FY 2021-2022 and should not have eroded by more than 30% in the last three financial years i.e. 2020-2021, 2021-2022 and 2022-2023.</p>	Agree Only
4	<p>The bidder should submit Power of Attorney of the Authorized Signatory for signing the bid, entering in to contract, if awarded and for any other correspondences.</p>	Agree Only

5	The bidders shall enclose attested copy of GST Registration (in REG 06) & attested copy of PAN.	Agree Only
6	The bidder should give undertaking/declaration that they have read and understood all the terms & conditions of tender documents and submitting unconditional acceptance to all terms & conditions.	Agree Only
7	The bidder should give a declaration that they have not been black-listed/ debarred for dealing by Government of India in the past.	Agree Only
8	The firm should attach valid authorization certificate obtained from manufacturer for offered product	Agree Only

PRE BID CONFERENCE

Sl.No	Terms	Component
1	The date time of pre-bid conference is 10:30 am on 23.11.2023. The queries of the bidders should be reach at least two days in advance. Site visit can be done prior to pre-bid conference only. No further queries are entertained and site visit after pre-bid conference.	Agree Only

Lot Details

Lot Name 1	Category	Lot Description	Quantity/UOM	Currency	Ceiling Price	Estimated Price
------------	----------	-----------------	--------------	----------	---------------	-----------------

COST OF ALL MATERIAL	Computer Software	UP-GRADATION OF EXISTING MACHINE COTROL SYSTEM WITH LATEST VERSION PLC SYSTEM MACHINE PROGRAM SOFTWARE ALONG WITH ELECTRICAL ELECTRONICS HARDWARE OF MACHINE.	1.0Activity	INR	-	-
----------------------	-------------------	---	-------------	-----	---	---

Lot No: 1 Specific Terms

Lot No: 1 Price Parameters/ Formula

Variable Name	Name of Parameters	Sub Total (Example: a+b)	Type of Component	Places of decimal	Lumpsum
a	BASIC PRICE	-	Numeric Text Only	2	No
b	GST AMOUNT ON A	-	Numeric Text Only	2	No

Price formula: a+b (Up to 2 Decimal Place)

Lot Details

Lot Name 2	Category	Lot Description	Quantity/UOM	Currency	Ceiling Price	Estimated Price
------------	----------	-----------------	--------------	----------	---------------	-----------------

COST OF INSTALLATION , TESTING AND COMMISSIONING	Computer Software	UP-GRADATION OF EXISTING MACHINE COTROL SYSTEM WITH LATEST VERSION PLC SYSTEM MACHINE PROGRAM SOFTWARE ALONG WITH ELECTRICAL ELECTRONICS HARDWARE OF MACHINE.	1.0Activity	INR	-	-
--	-------------------	---	-------------	-----	---	---

Lot No: 2 Specific Terms

Lot No: 2 Price Parameters/ Formula

Variable Name	Name of Parameters	Sub Total (Example: a+b)	Type of Component	Places of decimal	Lumpsum
a	BASIC PRICE	-	Numeric Text Only	2	No
b	GST AMOUNT ON A	-	Numeric Text Only	2	No

Price formula: a+b (Up to 2 Decimal Place)



CURRENCY NOTE PRESS
(A UNIT OF Security Printing and Minting Corporation of India Limited) Wholly owned by Government of India
Nashik Road # 422101 (Maharashtra)
(ISO : 9001 & ISO 14001 Certified Unit)
Tel. No 00- 91-253-2463730-39, 2461471 Fax No:00-91-2532464100 CIN: U22213DL2006GOI144763 GSTIN : 27AAJCS6111J3Z6
Web: www.cnpnashik.spmcil.com E-mail: gmcnp@spmCIL.com

PR Number	PR Date	Indenter	Department
12004929	08.06.2023	D V Khatale	EL

Not Transferable

Security Classification:

TENDER DOCUMENT FOR PURCHASE OF: S.I.T.C FOR UP-GRADATION OF EXISTING MACHINE CONTROL SYSTEM WITH LATEST VERSION PLC SYSTEM MACHINE PROGRAM SOFTWARE ALONG WITH ELECTRICAL/ELECTRONICS HARDWARE OF MACHINE.

Tender Number: 6000018546

This Tender Document Contains _____ Pages.

Details of Contact person in SPMCIL regarding this tender:

Name: V KIRAN KUMAR
Designation: Jt. General Manager (MM)
Address: CNPN (Currency Note Press, Nashik)
India

**KIRAN
KUMAR
VUPPALA**

Digitally signed by
KIRAN KUMAR
VUPPALA
Date: 2023.11.10
16:25:13 +05'30'

Section1: Notice Inviting Tender (NIT)

6000018546 /

(SPMCIL's Tender SI No.)

(Date)

1. Sealed tenders are invited from eligible and qualified tenderers for supply of following goods & services:

Sch d. No.	Brief Description of Goods/services	Quantity (with unit)	Earnest Money (In Rupee)	Remarks
1	Upgradation of cutpak machine no.3	1.000 EA	779000.00INRRUPPES SEVEN LAKHAS SEVENTY NINE THOUSAND ONLY	AS PER MSTC E-PROCUREMENT PORTAL
Type of Tender (Two Bid/ PQB/ EOI/ RC/ Development/ Indigenization/ Disposal of Scrap/ Security Item etc.)			TWO-BID National Competetive Bid	
Dates of sale of tender documents:			AS PER MSTC E-PROCUREMENT PORTAL	
Place of sale of tender documents			AS PER MSTC E-PROCUREMENT PORTAL	
Closing date and time for receipt of tenders			AS PER MSTC E-PROCUREMENT PORTAL	
Place of receipt of tenders			AS PER MSTC E-PROCUREMENT PORTAL	
Time and date of opening of tenders			AS PER MSTC E-PROCUREMENT PORTAL	
Place of opening of tenders			AS PER MSTC E-PROCUREMENT PORTAL	
Nominated Person/ Designation to Receive Bulky Tenders (Clause 21.21.1 of GIT)			V KIRAN KUMAR Jt. General Manager (M)	

2. Eligibility to participate as per Government of India's Public Procurement (Preference to Make in India) Order 2017 (as amended/ revised) and Ministry of Finance, Department of Expenditure, Public Procurement Division's Orders (Public Procurement 1, 2 and 3) F.No.6/18/2019-PPD dated 23rd/ 24th July 2020 (or any further amendments thereof) regarding eligibility of bidders from neighboring countries shall apply to this tender.

3. Please note that SPMCIL reserves its right to grant Purchase preferences in accordance with Government of India's Public Procurement (Preference to Make in India) Order 2017 (as amended/ revised) and Public Procurement Policy for Micro and Small Enterprises (MSEs) Amendment Order, 2018 (as amended/ revised).

4. In case NIT/ SIT provide for uploading of bids to nominated E-Procurement portal, bidders must upload their bids along with scanned copies as required enclosures (including proofs of cost of Tender Documents and EMD as applicable - unless an online payment gateway is provided in the instruction) as per instructions given in this regard. Original copies of such scanned uploaded required enclosures must reach in physical form within the date and place as provided in such instructions.

5. The tender documents are not transferable.

6. The bidder, their affiliates, or subsidiaries # including subcontractors or suppliers for any part of the contract # should not stand declared ineligible/ blacklisted/banned/ debarred by any Government Agency anywhere in the world, for participating in its tenders, under that country's laws or official regulations. A declaration to this effect shall be submitted by the bidder in the Tender Form (Section X).

7. SUBMISSION OF TENDER: As per E-Procurement Portal. Bidders must upload their bids along with scanned copies as required enclosures (including proofs of cost of Tender Documents and EMD as applicable - unless an online payment gateway is provided in the instruction) as per instructions given in this regard. Original copies of such scanned uploaded required enclosures must reach in physical form within the date and place as provided in such instructions.

8. In case of order material in your favour for Rs. 2,50,000/- or above, the supplier shall furnish the performance security amount/ Security Deposit(S.D) (10% of the ordered value) after issue of Purchase order by CNP, Nashik Road in favour of SPMCIL, Unit CNP, payable at Nashik. The performance security will be return back without any interest to successful bidder after the completion of all contractual obligations.

9. The bidders participating with MSME registration certificate has to submit Bid Security Declaration as per Annexure-1. Non submission of same will be treated as non responsive.

10. No exemption will be given for deposition of performance guarantee to any DIC/SSI/MSE/NSIC registered firm.



Tender Number:6000018546

11. Any dispute in the matter will be under Nashik (Maharashtra) Jurisdiction only.
12. Right of acceptance: - The Chief General Manager, Currency Note Press reserves the right to reject any or all tenders without assigning any reason thereof.
13. Clarification of Tender Documents: A Bidder requiring any clarification or elucidation on any issue of the tender documents may take up the same with SPMCIL in writing or by fax / e-mail/ telex not later than twenty one days (unless otherwise specified in the SIT) prior to the prescribed date of submission of tender.
14. Any queries regarding the tender you may please contact at 0253-2454493 or 2461318. E-mail-purchase.cnpnashik@spmcil.com.

.....

.....

(Name Designation, Address telephone number etc
of the officer signing the document)

For and on behalf of

.....



Tender Number:6000018546

Section II: General Instructions to Tenderers (GIT)

Part 1: General Instructions Applicable to all type of Tenderers

Please CLICK the link for further details

<https://spmCIL.com/uploaddocument/GIT/new.pdf>

Bidders are requested to download 61 pages by clicking the above given link and submit the same duly stamped and signed along with tender document. Unsigned/stamped printouts of these pages are not acceptable.

Section III: Specific Instructions to Tenderers (SIT)

The following Special Instructions to Tenderers will apply for this purchase. These special instructions will modify/ substitute/ supplement the corresponding General Instructions to Tenderers (GIT) incorporated in Section II. The corresponding GIT clause numbers have also been indicated in the text below:

In case of any conflict between the provision in the GIT and that in the SIT, the provision contained in the SIT shall prevail.

(Clauses of GIT listed below include a possibility for variation in their provisions through SIT. There could be other clauses in SIT as deemed fit.)

Sr No	GIT Clause No.	Topic	SIT Provision
01	3.	ELIGIBLE TENDERERS	Applicable
02	3.4	ELIGIBLE GOODS AND SERVICES (ORIGIN OF GOODS)	Not Applicable
03	6.1	THE TENDER DOCUMENTS INCLUDES:	Applicable
04	8	PREBID CONFERENCE	Applicable. The date & time of pre-bid conference is 10:30 am on 23.11.2023. The queries of the bidders should be reach at least two days in advance. Site visit can be done prior to pre-bid conference only.
05	9	TIME LIMIT FOR RECEIVING REQUEST FOR CLARIFICATION OF TENDER DOCUMENTS	No further queries are entertained and site visit after pre-bid conferecne.
06	10.1	THE TECHNICAL BID TO BE SUBMITTED BY TENDERER SHALL CONTAIN THE FOLLOW	No Change
07	11.2	TENDER CURRENCY	Supplier is requested to quote price within 2 Decimal place.Quotation with price quote beyond 2 decimal place is ignored.
08	12.1	TENDER PRICES	Applicable
09	12.2, 33, 36.1	SCHEDULE WISE EVALUATION	Not Applicable
10	12.6	GST DETAILS	No Change
11	14	PVC CLAUSE & FORMULA	Not Applicable
12	14.4 TO 14.7	EXCHANGE RATE VARIATION (ERV)	Not Applicable
13	16.2 A) TO C)	DOCUMENTS ESTABLISHING TENDERER#S ELIGIBILITY AND QUALIFICATIONS	Applicable
14	18.4, 18.5	EARNEST MONEY DEPOSIT (EMD)	Applicable
15	19	TENDER VALIDITY	120 Days from the date of opening of tender
16	20.4	NUMBER OF COPIES OF TENDERS TO BE SUBMITTED	Single Copy
17	20.8	TWO BID SYSTEM	Applicable
18	20.9	E-PROCUREMENT	Applicable. Submission of Documents as per NIT Clause No. 07
19	34. AND 35.1	COMPARISON ON CIF DESTINATION BASIS	FOR CNP Nashik Road Basis

Sr No	GIT Clause No.	Topic	SIT Provision
20	35.2 TO 35.6	ADDITIONAL FACTORS FOR EVALUATION OF OFFERS AND PREFERENTIAL SCHEMES	APPLICABLE
21	43	PARALLEL CONTRACTS	NOT APPLICABLE
22	44.1	SERIOUS MISDEMEANOURS	No Change
23	44.3	INTEGRITY PACT	Not Applicable
24	45.1	NOTIFICATION OF AWARD	No Change
25	50.	APPLICABILITY OF ADDITIONAL GIT FOR RATE CONTRACTS	Not Applicable
26	51.	APPLICABILITY OF ADDITIONAL GIT FOR PQB TENDERS	Not Applicable
27	52.	APPLICABILITY OF ADDITIONAL GIT FOR TENDERS INVOLVING SAMPLES	Not Applicable
28	53.	APPLICABILITY OF ADDITIONAL GIT FOR EOI TENDERS	Not Applicable
29	54.	APPLICABILITY OF ADDITIONAL GIT FOR TENDERS FOR DISPOSAL OF SCRAP	Not Applicable
30	55.	APPLICABILITY OF ADDITIONAL GIT FOR DEVELOPMENT/ INDIGENIZATION TENDER	Not Applicable

Sr No	GIT Clause No.	Topic	SIT Provision
22	44.1	SERIOUS MISDEMEANOURS	No Change
23	44.3	INTEGRITY PACT	Not Applicable
24	45.1	NOTIFICATION OF AWARD	No Change
25	50.	APPLICABILITY OF ADDITIONAL GIT FOR RATE CONTRACTS	Not Applicable
26	51.	APPLICABILITY OF ADDITIONAL GIT FOR PQB TENDERS	Not Applicable
27	52.	APPLICABILITY OF ADDITIONAL GIT FOR TENDERS INVOLVING SAMPLES	Not Applicable
28	53.	APPLICABILITY OF ADDITIONAL GIT FOR EOI TENDERS	Not Applicable
29	54.	APPLICABILITY OF ADDITIONAL GIT FOR TENDERS FOR DISPOSAL OF SCRAP	Not Applicable
30	55.	APPLICABILITY OF ADDITIONAL GIT FOR DEVELOPMENT/ INDIGENIZATION TENDER	Not Applicable



Tender Number:6000018546

Section IV: General Conditions of Contract (GCC)

Please CLICK the link for further details
<https://spmCIL.com/uploaddocument/GCC/new.pdf>

Bidders are requested to download 36 pages by clicking the above given link and submit the same duly stamped and signed along with tender document. Unsigned/stamped printouts of these pages are not acceptable.

Section V: Special Conditions of Contract (SCC)

The following Special Conditions of Contract (SCC) will apply for this purchase. The corresponding clauses of General Conditions of Contract (GCC) relating to the SCC stipulations have also been incorporated below. These Special Conditions will modify/ substitute/ supplement the corresponding (GCC) clauses.

Whenever there is any conflict between the provision in the GCC and that in the SCC, the provision contained in the SCC shall prevail.

(Clauses of GCC listed below include a possibility for variation in their provisions through SCC. There could be other clauses in SCC as deemed fit)

SI.No	GCC Clause No.	Topic	SCC Provision
01	1.2	ABBREVIATIONS:	No Change
02	6.1, 6.3 & 6.5	PERFORMANCE BOND/ SECURITY	10 % of the total contract price valid for 60 days beyond completion of contractual obligations including warranty period: if any.
03	8.2	PACKING AND MARKING	Not Applicable
04	9	INSPECTION AND QUALITY CONTROL	Not Applicable
05	11.2	TRANSPORTATION OF DOMESTIC GOODS	No Change
06	12.	INSURANCE	No Change
07	14.1	INCIDENTAL SERVICES	Not Applicable
08	15	DISTRIBUTION OF DESPATCH DOCUMENTS FOR CLEARANCE/ RECEIPT OF GOODS	Not Applicable
09	16.2, 16.4	WARRANTEE CLAUSE	Applicable: 12 months from the date of acceptance and completion of work.
10	19.3	OPTION CLAUSE	The buyer reserves the right to increase/decrease the supply order quantity by 25% at the same terms and conditions during the Currency of the contract and supplier is bound to accept it.
11	20.1	PRICE ADJUSTMENT CLAUSE	Not Applicable
12	21.	TAXES AND DUTIES	1) If the tenderer fails to include taxes and duties in the tender, no claim thereof will be considered by purchaser afterwards. 2) TDS will be deducted as per prevailing rates.
13	22.	TERMS AND MODE OF PAYMENTS	As per Sr. no. 10 of section vi : List of Requirement
14	24.1	QUANTUM OF LD	Applicable (The Applicable GST if LD is levied will be collected from the firm's invoice).
15	25.1	BANK GUARANTEE AND INSURANCE FOR MATERIAL LOANED TO CONTRACTOR	Not Applicable
16	33.1	RESOLUTION OF DISPUTES	No Change
17	36.3.2,36.3.9	DISPOSAL/ SALE OF SCRAP BY TENDER	Not Applicable

Section VI: List of Requirements

Schedule No.	Breif Description of goods and services (Related Specifications etc. are in Section-VII)	Accounting Unit	Quantity	Amount of Earnest Money	Remark
1	Upgradation of cutpak machine no.3	EA	1.000	779000.00IN RRUPPES SEVEN LAKHAS SEVENTY NINE THOUSAND ONLY	AS PER MSTC E-PROCUREMENT PORTAL

1. Required Delivery Schedule: The successful bidder has to work to be completed within 12 months from the date of issue of Purchase Order.
2. Required Terms of Delivery: - FOR Currency Note Press, Nashik Road.
3. Destination: - CURRENCY NOTE PRESS, JAIL ROAD, NASHIK ROAD 422 101
4. Preferred Mode of Transportation: - BY ROAD.
5. Bid Validity: 120 days from due date of tender.
6. Bidder have to open the link provided in Section II, IV & XII onwards and take print out of all the documents available and then sign and stamp each and every paper and submit along with the technical tender.
7. All the copies of tenders shall be complete in all respects with all their attachments/enclosures duly numbered.
8. RISK PURCHASE:
 - (a) If the supplier after submission of tender and due acceptance of the same, i.e. after placement of contract fails to abide by the terms & conditions of these tender documents, or fails to supply the deliverables as per delivery schedule given or at any time repudiates the contract, the purchaser shall have the right to Invoke the Security-cum-Performance Guarantee if deposited by the supplier and procure stores/take services from other agencies at the risk & consequence of the supplier. The cost difference between the alternative arrangement and supplier tendered value will be recovered from the supplier along with other incidental charges.
 - (b) In case of supply/job work through alternative sources at lower price, if any, then no benefit on this account will be passed on to the supplier.
 - (c) For all the purpose the award of contract will be considered acceptance of tender and formal contract pending signing of agreement. Supplier has to abide by all the terms and conditions of tender.
9. Warranty: The successful bidder has to provide warranty, to the entire job work inclusive of material supplied and service ,workman ship delivered for a period of 1 year from the date of acceptance by CNP. If any component of the supplied item is failed due to defect or malfunctioning, during the warranty period the firm should replace the material at their own cost and risk and depute their representative for replacement / to carryout rectification of malfunction if any within reasonable time.
10. Payment Terms :
 - i. 80% payment of material price with 100% tax shall be paid upon submission of Bank Guarantee for 100% invoice value of material price and suitability & acceptance of material.
 - ii. On completion of FAT (Final Acceptance of certificate)
 - a) Balance 20% payment of Cost of Material supply.
 - b) 100% Cost of Installation and commissioning.

Or Alternatively

- i. 100% Payment after on completion of FAT(Final Acceptance Test) and issuing of FAC(Final Acceptance Certificate)

Note : Bidder will have to confirm which payment terms accept mentioned in technical bid.



Tender Number:6000018546

11. Bank Details: Copy of Cancelled Cheque or the Bank details on the letter head signed by Authorized signatory to be submitted.



SECURITY PRINTING AND MINTING
CORPORATION OF INDIA LIMITED

TENDER NO: 6000018546

SECTION VII: TECHNICAL SPECIFICATIONS

1.0 INTRODUCTION :

The Cutpak machine consists of several stations controlled by a master PLC and several slave. The brief process of the equipment is as follows.

The printed currency sheets lot are fed to the machine feeding unit ,these sheets are counted and sent to AB knife for side trimming and it is cut in to along the length of the sheet in strip form at X axis. The next operation bands these strips and send to Y axis which collects all these banded strips .Then these strips are cuts along the width at W axis in packets . These packets are passed through packet turning station . Next, individual packets are collected in collecting Drum magazines and 10 packets are transferred to Band all station i. e 1000banding by U axis ,then bundle of (10packet) is banded. Further these 1000notes bundle are counted and packed in plastic cover, sealed and shrink wrapped and sent to automatic label applicator .

The above process is achieved using Motorised control and hydraulically operated linear booster where accuracy is required and in several places, 5 encoders are used to monitor the position. Sensors are provided to ensure safe operation of the machine. In case of errors, the immediate affected station stops and alarm is displayed. Upon clearing the error, the equipment continues to run. An HMI (control console) is provided to control various parameters such as length and width of the currency. The above process is completed in various stations. i. e 1. feeding 2. Side trimming AB knife 3. Strip Axis Cutting at X axis 4. 100 packet Binding 5. Strip collecting at Y axis 6. Packet cutting at W axis 7. Packet turning station 8. Packet collection in Drum 9. Bundle discharge to U (inclined pusher) axis 10. 1000 banding station 11.Bundle counting station 12. Camera reading the bundle number for label applicator 13. Bundle packing in polythene 14.Shrink wrapping of bundle 15.label application on bundle .

This machine is compatible for processing of different denomination of currency sheets and note size. Whenever the changeover of the denomination required the machine changeover process is adopted as per the OEM manual.

2.0 SCOPE OF THE WORK :

Scope covers the supply of PLC system, software , I/O's Field wiring and electrical hardware complete and its installation ,testing , commissioning for up gradation of existing machine control system with latest version PLC system and machine program ,software development along with Electrical / Electronic hardware of Cutpak machine on turnkey basis includes :-

1. Up gradation of existing axis control linear booster system with latest version system at all 3 axis, i. e X, Y and W without hampering the functionality and accuracy of the axis positioning . The firm shall en-corporate the wrong cutting prevention interlock system in the upgraded axis control system .

The firm shall upgrade the U axis (inclined pusher) drive with latest version .

2. Up gradation of the existing entire ABB make PLC control system with advanced latest version PLC system with all necessary hardware and software program along with all allied digital, analog, input and output modules and BDT modules ,DC power supply units, network component , control console computer. With provision of necessary PLC loading LAPTOP with software and program.

The firm shall develop the required machine software and program in line with the existing system and should be flexible enough to perform modifications to enhance the system as and when required. The firm shall provide the HMI wherever required .

Up gradation should not hamper the functionality and machine existing production speed for all denominations. i. e 68-70 Bundle/minute for 50up denomination of the machine .

3. Up gradation of Main drive DC motor and its controlling drive with switch gear.

4. Complete replacement of entire electrical switch gear of control panels of all work stations of the Cutpak machine including power supply units, transformers, power trab, push buttons , panel meters , various drives, solid state modules ,main drive controller, wires, cables, sensors

5. Complete replacement of proximity sensors , photo sensors ,magnetic reed switches, pressure sensor, limit switches, safety switches, pressure switches, flow switches, micro switches, fans,



TENDER NO: 6000018546

push buttons panel meters , various drives, solid state modules , machine encoder, and incremental sensors, signal converters, voltage monitoring device, digital displays, amplifiers , blowers, cooling fans, contactors, relays, solenoid valve and coils , horn, Motor protection switches, main switch of the cabinet, timers including all electrical and electronics items.

The firm shall ensure that the above switchgear, sensors etc. shall be branded and compatible to existing brand /make and shall not affect the performance of the machine .Firm shall also certify and confirm all the hardware replaced in system are New and reputed brand and readily available in the market .Use of inferior quality of these items will not be accepted .

Tender is for up gradation of electrical and electronics only with minimal mechanical changes without hampering the accuracy and smooth functioning of the machine. BOM along with list of IOs provide as **Annexure-II**.

6. Replacement of entire Pneumatic system solenoids with coil with latest one.

7. Up-gradation of existing Automatic Label applicator system of the cut pak machine.

8. Replacement of the all AC and DC motors of all units including Hydraulic unit. Solenoid Coils & Valves Line diagram of pneumatic & Hydraulic Circuits is provided along with corrigendum as **Annexure-II** For Pneumatic and Hydraulic circuit solenoid coils and valves is to be replaced.

3.0 TERMS AND CONDITIONS :

I. The scope of the work is generalized keeping in view that the machine shall get upgraded to work smoothly for next 10 years and the upgraded system hardware shall be easily available in the Indian market for 10 years. All the obsolete electrical/ electronic items shall cover up in the up-gradation. The firm shall put the efforts to eliminate permanently the recurring problems being faced at different processing locations of the machine reported by the user section. The firm shall ensure that the entire functioning of the each unit/section of the machine shall be in line with or better than the existing performance and facilitate all denomination changeover process as already exist in the system .



TENDER NO: 6000018546

The firm shall carry out the entire job work at CNP premises. As the above job work is on turnkey basis any electrical, minor mechanical, electronic hardware required which is not specified in the scope and as need for the entire functioning of machine shall be supplied by the firm without any extra cost.

II. The firm shall have to restore the old system in case of failure of the upgraded system ensuring all the function and production capacity bundle /minute of the Cutpak machine as it is.

III. The firm shall provide support for spares and services for minimum period of ten years unconditionally by OEM of PLC system and for the any electronics hardware with customized or proprietary nature .

IV. The firm shall develop the machine control system PLC software exclusively for CNP use the firm shall have to go for non - disclosure agreement with CNP.

V. The firm shall supply the suitable Lap Top for loading ,down loading of the PLC programme , loaded with necessary software.

VI. The bidder has to submit all technical details of the hardware proposed to be supplied.

The firm shall carry out the up-gradation with minimum changes in the machine mechanism . Any such change in the machine mechanical parts shall be after prior approval of the CNP authority.

VII. The Bidder firm shall visit CNP prior to Bid to understand the work and ascertain the scope of the work with prior permission on any working day .

VIII. The bidder firm shall have to attend the pre BID conference at CNP .

IX. The firm will have to take all the safety precautions while carrying out the works regarding the safety and security of CNP's personal and property. The firm will ensure all the necessary tools and tackles required for the above work eg. Drill m/c, ladders, drill bits etc. Also the firm will be responsible for any other material required to complete the above job.

X. Electrical drawing , machine PLC program in soft/hard copy as available with the CNP of the existing system will be provided to the successful bidder for learning /programming purpose with non-disclosure agreement. CNP does not guarantee that the Electrical ckt. drawing , machine PLC program given to the firm for reference in soft/hard copy will be exactly as per the wiring ,program of the running machine.



TENDER NO: 6000018546

XI. The firm will have to carry out the work, from 8.00 am to 5.00 pm including/excluding lunch hours, as the case may be on all working days except Sundays and holidays without hampering the sectional routine works. However, CNP authority will have the discretion to permit work during lunch hour or holidays.

5.0 Training:

1. The successful bidder should be provided 15 days training to CNP engineers /staff/workmen/operator for operation and maintenance of the machine at CNP without any financial obligations.

6.0 Electrical documentation required:

The successful firm should submit the following electrical documentation for the machine in 03 set hard copies and 01 set of soft copy of each.

1. Upgraded electrical circuit diagram of the machine.
2. Machine Electrical function description manual.
3. Operating instruction for the control console computer/HMI and its software
4. Functional description for the PLC control system and its all I/O modules.
5. PLC program uploading procedure for each PLC.
6. Technical catalogue and user manual along with set parameters data for all drives and electrical/electronic hardware.
7. Complete PLC program details along with functional diagram and cross reference list.
8. Fault list along with remedial measures description.
9. List of all electrical parts used on machine with part Number, make, technical specifications.
10. Separate List of parts of proprietary nature used on machine.
11. The firm shall be liable for providing licensed software copy with life time validity for all the software provided with machine.



SECURITY PRINTING AND MINTING
CORPORATION OF INDIA LIMITED

TENDER NO: 6000018546

SECTION VIII : QUALITY CONTROL REQUIREMENTS

A) SAFETY CODES TO BE FOLLOWED BY THE CONTACTORS/THEIR EMPLOYEES.

1. The principle firm to whom the job work has been assigned will be primarily responsible to ensure the safety of all their employees working under them while they work inside factory premises.

2. The principle firm to whom the job work has been assigned will be responsible for any act of the contractors, which amounts to contravention of any provision of the Factory Act 1948 and the Maharashtra factory rules 1963.

3. The principle firm to whom the job work has been assigned will ensure and monitor the following:-

3.1 The firm has to nominate one of the competent supervisors, who in addition to his duty will also be responsible to look after the safety of employees working under them and safety of nearby other plant equipment.

3.2 The firm will provide personal protective equipment to his employees to ensure their safety.

3.3 Electrical connection will be taken only with the written permission from the electrical department CNP.

3.4 The firm will ensure that the hand tools, power tools, forklifts, Hydra, ladders, slings and equipment etc. are maintained in good working condition and will also ensure that they are safe and free from risk to employees.

3.5 All the machines brought by contractor for their job work should be properly guarded/ maintained in proper condition for their safe working.



TENDER NO: 6000018546

3.6 All the lifting machines, lifting tackles, chain ropes, pulleys etc. will not be allowed in factory premises unless they are thoroughly and certified by the competent person(as per Factory act 1948) once in every Six month.

3.7 In Case of any accident, the firm representative will arrange to inform it to the safety dept. CNP immediately. The agency will also arrange to inform the inspector of Factories Nashik. The agency will provide proper information to the inspector of factories and safety officer during their inspection.

3.8 Selected contractor needs to provide PVR of Supervisor/ labour's/person's entering in press premises.

B) Final Acceptance Test (FAT):

1. After completion of Installation & Commissioning work firm shall inform the CNP for start of FAT. The FAT shall be carried out in the presence of firms representative on 60 UP Bank Note Paper for 5 days and 50 UP Bank Note Paper for 15 days. During 8 hrs the machine shall cut min. 45 parcels.

If any short fall or bugs in software, not match the required output in any single day during the FAT, the firm should carry out all the corrective work like modification/alteration on immediate basis and FAT will be start again.

After completion of FAT firm shall demonstrate the running of the machine after changeover of the machine for other than FAT used denomination with buff or water mark parcels for 1 shift (8hrs.)



SECURITY PRINTING AND MINTING
CORPORATION OF INDIA LIMITED

TENDER NO: 6000018546

Section IX: Qualification / Eligibility Criteria

MINIMUM ELIGIBILITY CRITERIA

The following shall be the minimum eligibility criteria for selection of bidders:

1. Experience and past performance:

The bidder should have experience of having successfully completed order for Supply & Installation of Machine Control System with latest version PLC System and associated Electrical /Electronic hardware of similar or higher specification of an order value of Rs.1,55,76,000/- in any one year during last 5 years ending 31.03.2023.

2. Capacity and Capability:

The bidder should having capacity of successfully completing order for Supply & Installation of Machine Control System with latest version PLC System and associated Electrical /Electronic hardware.

Note: All experience, past performance and capacity/ capability related data should be certified by the authorized signatory of the bidder firm.

3. Financial Standing:

(a) Average Annual turnover of the bidder firm should be more than Rs. 1,55,76,000/- during last three years i.e. 2020-2021, 2021-2022 and 2022-2023.

(b) Bidder firm should not have suffered any financial loss for more than one year during the last three financial years i.e. 2020-2021, 2021-2022 and 2022-2023.

(c) The net worth of the firm should not be negative of FY 2021-2022 and should not have eroded by more than 30% in the last three financial years i.e. 2020-2021, 2021-2022 and 2022-2023.

3. The bidder should submit Power of Attorney of the Authorized Signatory for signing the bid, entering in to contract, if awarded and for any other correspondences.

4. The bidders shall enclose attested copy of GST Registration (in REG 06) & attested copy of PAN.

5. The bidder should give undertaking/declaration that they have read and understood all the terms & conditions of tender documents and submitting unconditional acceptance to all terms & conditions.



TENDER NO: 6000018546

6. The bidder should give a declaration that they have not been black-listed/ debarred for dealing by Government of India in the past.
7. The firm should attach valid authorization certificate obtained from manufacturer for offered product.

A) Applicability in Special Cases

1. Applicability to 'Make in India' :Bidders (manufacturer or principal of authorized representative) If the product is being manufactured in India under a license from a foreign manufacturer who holds intellectual property rights and where there is a technology collaboration agreement/ transfer of technology agreement for indigenous manufacture of a product developed abroad with clear phased increase in local content, and who while meeting all other criteria above, except for any or more of sub-criteria in Experience and Past Performance above, would also be considered to be qualified provided:
 - i.) Their foreign manufacturer who holds intellectual property rights, meets all the criteria above without exemption, and
 - ii.) The Bidder submits appropriate documentary proof for technology collaboration agreement/ transfer of technology agreement for indigenous manufacture of a product developed abroad with clear phased increase in local content.
 - iii.) The bidder (manufacturer or principal of authorized representative) furnishes along with the bid a legally enforceable undertaking jointly executed by himself and such foreign Manufacturer for satisfactory manufacture, Supply (and erection, commissioning if applicable) and performance of 'The Product' offered including all warranty obligations as per the general and special conditions of contract.
2. Authorized Representatives: Bids of bidders quoting as authorized representative of a principal manufacturer would also be considered to be qualified, provided:
 - i.) Their principal manufacturer meets all the criteria above without exemption, and
 - ii.) The principal manufacturer furnishes a legally enforceable tender-specific authorization in the prescribed form assuring full guarantee and warranty obligations as per the general and special conditions of contract; and
 - iii.) The bidder himself should have been associated, as authorized representative of the same or other Principal Manufacturer for same set of services as in present bid (supply, installation, satisfactorily commissioning, after sales service as the case may be) for same or similar 'Product' for past three years ending on 'The Relevant Date'.



TENDER NO: 6000018546

3. Start-up/MSEs Enterprises: Requirements of prior experience and turnover would be relaxed for Start-up/MSEs enterprises as per relevant circular and guidelines of Department for Promotion of Industry and Internal Trade (DPIIT) & Ministry of Finance, Department of Expenditure, Public Procurement Division, subject to their meeting the quality and technical specifications.
4. Notes for Bidders:-
 - i. Along with all the necessary documents/certificates required as per the tender conditions, the bidder should furnish a brief write-up, backed with adequate data, explaining his available capacity (both technical and financial), for manufacture and supply of the required goods/ equipment, within the specified time of completion, after meeting all their current commitments.
 - ii. Supporting documents submitted by the bidder must be certified as follows:
 - iii. All copy of supply/ work order; respective completion certificate and contact details of clients; documents issued by the relevant Industries Department; National Small Industries Corporation (NSIC); manufacturing licence, annual report, etc., in support of experience, past performance and capacity/ capability should be authenticated by the by the person authorised to sign the tender on behalf of the bidder.
 - iv. All financial standing data should be certified by certified accountants, for example, Chartered Accountants/ Cost Accountants in India and equivalent in relevant countries; and



TENDER NO: 6000018546

Section X: Tender Form

To,
Currency Note Press, Nashik
A Unit of Security Printing & Minting
Corporation of India Limited
Wholly Owned by Govt. of India
Nashik

Ref: Your Tender document No. 6000018546 dated:

We, the undersigned have examined the above-mentioned tender enquiry document, including amendment No. -----, dated ----- (if any), the receipt of which is hereby confirmed. We now offer to supply and deliver..... (description of goods and services) in conformity with your above referred document for the sum shown in the price schedule(s), attached herewith and made part of this tender.

If our tender is accepted, we undertake to supply the goods and perform the services as mentioned above, in accordance with the delivery schedule specified in the List of Requirements.

We further confirm that, if our tender is accepted, we shall provide you with a performance security of required amount in an acceptable form in terms of GCC clause 6, read with modification, if any, in Section V –“Special Conditions of Contract”, for due performance of the contract.

We agree to keep our tender valid for acceptance for a period upto -----, as required in the GIT clause 19, read with modification, if any in Section-III –“Special Instructions to Tenderers” or for subsequently extended period, if any, agreed to by us. We also accordingly confirm to abide by this tender upto the aforesaid period and this tender may be accepted any time before the expiry of the aforesaid period. We further confirm that, until a formal contract is executed, this tender read with your written acceptance thereof within the aforesaid period shall constitute a binding contract between us.

We confirm that in case of downloaded Tender Document, we have not changed/edited its contents. We realise that in case any such change is noticed at any stage including after the award of contract, we would be liable to action under clause 44 of the GIT.

We further understand that you are not bound to accept the lowest or any tender you may receive against your above-referred tender enquiry.
We also solemnly declare as under:



TENDER NO: 6000018546

1. MSMEs Status:

Having read and understood the Public Procurement Policy for Micro and Small Enterprises (MSEs) Order, 2012 (as amended and revised till date), and solemnly declare the following:

- (a) Company /Partnership Firm /Proprietary Concern / Society/Trust / NGO/Others (Please Specify):
- (b) Micro/ Small / Medium Enterprise/ SSI/ Govt. Deptt. / PSU/ Others:
- (c) Name of MSME Registering Body (NSIC/ DIC/ KVIC/KVIB etc.):
- (d) MSME Registration no. (with copy of registration):.....
- (e) Udyog Aadhaar Memorandum no.....
- (f) Whether Proprietor/ Partner belongs to SC/ ST or Women category. (Please specify names and percentage of shares held by SC/ST Partners) :

2. Make in India Status:

Having read and understood the Public Procurement (Preference to Make in India PPP_MII) Order, 2017 (as amended and revised till date) and related notifications from the relevant Nodal Ministry/ Department, and solemnly declare the following:

- (a) Self-Certification for category of supplier:
 - Class-I Local Supplier/
 - Class-II Local Supplier/
 - Non-Local Supplier.
- (b) We also declare that
 - There is no country whose bidders have been notified as ineligible on reciprocal basis under this order for offered product, or Tender Form

SPMCIL

- We do not belong to any Country whose bidders are notified as ineligible on reciprocal basis under this order.

3. Restrictions on procurement from bidders from a country or countries, or a class of countries under Rule 144 (xi) of the General Financial Rules 2017 having read and understood the Order (Public Procurement No. 1) issued vide F.No.6/18/2019-PPD dated 23rd July 2020 (and its amendments if any) by Department of Expenditure, Ministry of Finance under the above provision and solemnly declare the following:

- We do not belong to any Country whose bidders are notified as ineligible under this order

4. Debarment Status: Please state whether business dealings with you currently stand suspended/ banned by any Ministry/ Deptts. of Government of India or by any State Govt:



TENDER NO: 6000018546

- Yes (with period of Ban)
- No, We, solemnly declare that neither we nor any of our affiliates or subsidiaries– including subcontractors or suppliers for any part of the contract– do not stand declared ineligible/ blacklisted/ banned/ debarred by any Government Agency anywhere in the world, for participating in its tenders, under that country’s laws or official regulations.

5. Penalties for false or misleading declarations: I/we hereby confirm that the particulars given above are correct and complete and also undertake to advise any future changes to the above details. We understood that any wrong or misleading self-declaration by us would be violation of code of Ethics and would attract penalties as mentioned in this tender document, including debarment.

.....
(Signature with date)

.....
(Name and designation)

Duly authorized to sign tender for and on behalf of

.....
.....



TENDER NO: 6000018546

SUMMARY OF REVISED PRICE SCHEDULE (FOR INDIAN BIDDERS): PRICES SHOULD BE ON FOR, CNP, NASHIK ROAD BASIS.

TENDER NO.6000018546

(AS PER MSTC E-PROCUREMENT PORTAL)

(Indigenous Offers)

To,

Currency Note Press, Nashik

A Unit of Security Printing & Minting

Corporation of India Limited

Wholly Owned by Govt. of India, Nashik

OFFER FORM for Tender No. 6000018546 Date of openingTime.....Hours.....

We hereby certify that we are established firm of manufacturers / authorized agents of M/s..... with factories at which are fitted with modern equipment and where the Production methods, quality control and testing of all materials and parts manufactured or used by us are open to inspection by the representative of ...(Name of Purchaser). We hereby offer to supply the following items at the prices indicated below:

Sr No	Item description	UOM (Unit of measurement)	HSN/S AC CODE	Unit Rate (Rs.)	IGST @....%	CGST @.....%	SCGT @.....%	Total rate per unit (Rs) (FOR CNP, Nashik) inclusive of GST, and other charges(Rs.)	Qty.	Total Amount (Rs.)
1	2	3	4	5	6	7	8	9= (5+6+7+8)	10	11=(9*10)
UP-GRADATION OF EXISTING MACHINE CONTROL SYSTEM WITH LATEST VERSION PLC SYSTEM MACHINE PROGRAM SOFTWARE ALONG WITH ELECTRICAL/ELECTRONICS HARDWARE OF MACHINE.										
1	COST OF ALL MATERIAL	AU							1	
2	COST OF INSTALLATION, TESTING & COMMISSIONING	AU							1	
3	Grand Total (Rs.)									



TENDER NO: 6000018546

1. Scope of Supply: (Cost break-up of the quoted cost, showing inter-alia costs of all the concomitant Installation/ Commissioning/ Training/ Technical Support/ incidental services/ software/ accessories, considered necessary to make the proposal self-contained and complete must be indicated here.)

2. Taxation Details:

- a) PAN number
- b) Type of GST Registration (Registered, Unregistered, Composition, SEZ, RCM etc.)
- c) GSTIN number
- d) Registered Address as per GST registration and Place of Delivery for GST Purpose
- e) Contact Names, Nos. & email IDs for GST matters (Please mention primary and secondary contacts)

.....
3. It is hereby certified that we have understood the General and Special Instructions to Tenderer's (GIT and SIT), and also the General and Special Conditions of Contract (GCC and SCC) attached to the tender and have thoroughly examined specifications/ Quality Control Requirements and other stipulations in Section VII & VIII – Technical Specifications and Quality Control Requirements; and are thoroughly aware of the nature of stores required and our offer is to supply stores strictly in accordance with the requirements and according to the terms of the tender. We agree to abide solely by the General and Special Conditions of Contract and other conditions of the tender in accordance with the tender documents if the contract is awarded to us.

4. We hereby offer to supply the stores detailed above or such portion thereof, as you may specify in the acceptance of tender at the price quoted and agree to hold this offer open for acceptance for a period of ---- days from the date of opening of tender (i.e., up to ----), We shall be bound by the communication of acceptance dispatched within the prescribe time.

Dated.....

Signature and seal of Manufacturer/Bidder

Note:

- (i) The Bidder may prepare their own offer forms as per this proforma.
- (ii) No change in the proforma is permissible.
- (iii) No erasures or alternations in the text of the offer are permitted. Any correction made in the offer shall be initialed by the bidder.
- (iv) This Section should not bring in any new Technical Parameter that has not been mentioned in the Technical Bid.

(



TENDER NO : 6000018546

- SECTION XII: QUESTIONNAIRE
 SECTION XIII: BANK GUARANTEE FORM OF EMD
 SECTION XIV: MANUFACTURER'S AUTHORIZATION FORM
 SECTION XV: BANK GUARANTEE FORM FOR PERFORMANCE SECURITY
 SECTION XVI: CONTRACT FORM
 SECTION XVII: LETTER OF AUTHORITY FOR ATTENDING A BID OPENING
 SECTION XVIII: SHIPPING ARRANGEMENT FOR LINER CARGOES
 SECTION XIX: PROFORMA OF BILLS FOR PAYMENTS

Please [CLICK](#) the link for further details

<http://cnpnashik.spmcil.com/SPMCIL/UploadDocument/SBDTEMP LATE1.pdf>

**TWO BID, SINGLE STAGE (TWO PACKETS) TENDER BIDDER'S CHECK LIST
 BEFORE TENDER SUBMISSION**

Part I: - TECHNO-COMMERCIAL BID

Sr. No.	Tender Submission Check Points	Check before submission Tick (✓)
1	EMD FEE /Bid Security Declaration	
2	Tender Document duly Seal & Signed	
3	Term of Delivery :- FOR, CNP Nashik road, duly unloaded	
4	Tender Validity 120 days as per the tender	
5	Technical Specification –Section VII as per tender	
6	Submit Manufacturer's Authorization form (As Applicable)	
7	Accept the Warranty clause as per tender (As Applicable)	
8	Submit the documents as per Qualification / Eligibility criteria – Section IX (As Applicable)	
9	Fill Tender Form – Section X duly seal & sign (Without mentioning price)	
10	Delivery Period: Acceptance of delivery period as per Section VI of tender Document.	
11	Blank price schedule format as per Section XI indicating 'XXXX'	
12	Power of Attorney for signing the bid document and contract, if awarded.	
13	Section II - General Instructions to Tenderer's (GIT)	
14	Section IV - General Conditions of Contract (GCC)	
15	Section XII to XIX of Tender Documents	

Part II: - PRICE BID

Sr. No.	Tender Submission Check Points	Check before submission Tick (✓)
1	Price Bid as per Section XI (Price including all taxes & other charges)	

..... (Bidder's Seal & Sign)



TENDER NO : 6000018546

Annexure-I
Bid Security Declaration Format
(To be printed on letter head of bidder)

Date:

To,
The Chief General Manager
Currency Note Press
Nashik Road

Sub: Bid Security Declaration-Reg.

Ref: 1. Tender No. _____ Dtd: _____
2. Bidder's offer no. _____ Dtd: _____

I, _____ (Name of authorized signatories), on behalf of _____ M/s. _____ (Bidder's name and address), duly authorized to sign the tender document and enter into contract (if awarded), herewith accept that if the bidder withdraw (or) modify our bid during period of validity i.e. within 120 days of opening of bid etc., the bidder will be suspended/debarred/blacklisted for a period of two years from the due date of the tender.

(Signature of Authorized Signatory)

Designation:
Name of Bidder:
Seal:

(Non submission of this declaration may result in disqualification)

ANNEXURE - II

PLC Listing of CUTPAK Machine

SR.No	Station	PLC Description	Qty used	Inputs	Output
1	Main Panel (E)	T-300 (ABB Make)	1	110	69
2		07KT93 (ABB Make)	1	24	16
3		ICDG32L1 (ABB Make)	3	48	48
4	Hydraulics (H)	T-300 (ABB Make)	1	10	2
5	Eject station (U)	07KT93 (ABB Make)	1	24	16
6		ICDG32L1 (ABB Make)	4	64	64
7	Feeding (A)	T-300 (ABB Make)	1	21	59
8		35TP90 (ABB Make)	1	9	12
9	sheet cut (B)	T-300 (ABB Make)	1	33	28
10	Stripe banding (R)	T-300 (ABB Make)	1	13	8
11		35TP90 (ABB Make)	2	18	24
12	Stripe collecting (S)	T-300 (ABB Make)	1	20	13
13	Bundle Cutting (F)	T-300 (ABB Make)	1	15	11
14	Bundle Separate (G)	T-300 (ABB Make)	1	51	31
15		35TP90 (ABB Make)	2	18	24
16	Collect Number in sequence (N)	T-300 (ABB Make)	1	59	38
17	1000 note station (T)	07KT93 (ABB Make)	1	24	16
18		ICDG32L1 (ABB Make)	3	48	48
19	Kallfass (K)	07KT93 (ABB Make)	1	24	16
20		ICDG32L1 (ABB Make)	2	32	32
21		ICSM06A6 (ABB Make)	1	16	16
22	Trapo (P)	T-300 (ABB Make)	1	1	0
23		07KT93 (ABB Make)	1	24	16
24		ICDG32L1 (ABB Make)	2	32	32
25	Safety Fence (Z)	T-300 (ABB Make)	1	17	0
26	Counting Machine	07KT93 (ABB Make)	4	96	64

Total 851 703

Note :All above PLC are connected through Arcnet Hub RS232

- These are known I/O's from the m/c.

EQUIPMENT LIST

machine number: 621007un high item designation: =A

item inst.place	designation quantity part.no.	manufacturer type/order no.	technical data
-1F1 +E1S	prot.motor switch 1.000 L0057711 accessory/special 1.000 L0057723	KLOECKNER-MOELLER PKZM1-0,24 KLOECKNER-MOELLER NHI11-PKZM1	0.16-0.24A;690V UE:500V,AMAX.6,1S10,AQ:2.5
-1F2 +E1S	fuse cartridge 3.000 L0755441 accessory/special 1.000 L0754157 screwed cap 3.000 L0754600 fuse insert 3.000 L0754740 fuse holder 1.000 L0754156	SIEMENS AG DIN49515-DIIGR* 16* RITTAL SV3428 FEGA GMBH DIN49514-DII-500 MAINLAND GMBH DIN49516-DII*16 RITTAL SV3427	DII;FF16A;500V E27,3POL,42*230MM,F.SV3427 E27;25A;500V E27;16A E27;3pol;25A;500V
-1F3 +E1S	prot.motor switch 1.000 L0057719 accessory/special 1.000 L0057723	KLOECKNER-MOELLER PKZM1-10 KLOECKNER-MOELLER NHI11-PKZM1	6-10A;690V UE:500V,AMAX.6,1S10,AQ:2.5
-1F4 +E1S	prot.motor switch 1.000 L0057711 accessory/special 1.000 L0057723	KLOECKNER-MOELLER PKZM1-0,24 KLOECKNER-MOELLER NHI11-PKZM1	0.16-0.24A;690V UE:500V,AMAX.6,1S10,AQ:2.5
-1L1 +E1S	mains choke 1.000 L0052851	BAUMUELLER DR3-40-4-0035	400V50/60Hz;3ph;28.7A;1mH
✓ -1M1 +A	gear motor DC 1.000 L0051521	BAUMUELLER SK20-V-F-GNSF112S2	Pn:2.5kW;n.ab:385min-1;Ua:440V ;Ia:6.5A;Ue:200V;Ie:0.5A;i:6.3
* -1N1 +E1S	speed controller 1.000 L0052961	BAUMUELLER BKD6/030/460-2361	3ph;Un:500Vf:50-60Hz;Ua:0-600V DC;Ia:30A;Pn:18kW
-2F1 +E1S	filter 1.000 L0052874	MURRELEKTRONIK VG-BC6/24	1ph;24VAC24VDC
-2F2 +E1S	filter 1.000 L0052874	MURRELEKTRONIK VG-BC6/24	1ph;24VAC24VDC
-2K1 +E1S	contactor/relay 1.000 L0052022	ABB BC7-30-01	Ub:19-26V;DC;Phal:3.5VA;S-el:3 H10;Us:500V;Ps:440V/5.5KW
-2K2 +E3S	contactor/relay 1.000 L0052532 accessory/special 1.000 L0720852	SCHRACK MT221024-25651111 KARL LUMBERG 108 PGS	Ub:20-34V;DC;Phal:1.2VA;S-el:2 W;Us:250V;Ps:250V/10A 8POL.;38*67*26MM
-2K3 +E1S	contactor/relay 1.000 L0052022	ABB BC7-30-01	Ub:19-26V;DC;Phal:3.5VA;S-el:3 H10;Us:500V;Ps:440V/5.5KW
-2N1 +E1S	monitoring device 1.000 L0052576	PILZ PIU-1NB/230VWS/2U-P-	0.5-5VDC;195-253V;AC
-2R1 +E1S	resistor 1.000 L0058221	ROSENTHAL LCA0309	100KOhm5%;0.25W
-5F1 +E1S	prot.motor switch 1.000 L0057715 accessory/special 1.000 L0057723	KLOECKNER-MOELLER PKZM1-1,6 KLOECKNER-MOELLER NHI11-PKZM1	1-1.6A;690V UE:500V,AMAX.6,1S10,AQ:2.5
-5F2 +E1S	1.000 L0752874		
-5K1 +E1S	contactor/relay 1.000 L0052022	ABB BC7-30-01	Ub:19-26V;DC;Phal:3.5VA;S-el:3 H10;Us:500V;Ps:440V/5.5KW
* -5M1 +A	pump unit 1.000 L0053311	VOGEL 143012153/WAC71N4	400V;50/60Hz;1.1A;0.37kW;150l/h
-10F1 +E1S	prot.motor switch 1.000 L0057713	KLOECKNER-MOELLER PKZM1-0,6	0.4-0.6A;690V

filter: (not ("I"\$GERAET) and (SYMBOLTYP<>"7") and (SYMBOLTYP< (C) De La Rue Giori S.A.

format: GLGBNH

desig: A233HANS

dated: 16.7.1997

page: 1

next page: 2

EQUIPMENT LIST machine number: 621007un high item designation: =A

item inst.place	designation quantity	part.no.	manufacturer type/order no.	technical data
	accessory/special	1.000 L0057723	KLOECKNER-MOELLER NHI11-PKZML	UE:500V, AMAX.6, 1S10, AQ:2.5
-10F2 +E1S	filter	1.000 L0052874	MURRELEKTRONIK VG-BC6/24	1ph;24VAC24VDC
-10F3 +E1S	filter	1.000 L0052874	MURRELEKTRONIK VG-BC6/24	1ph;24VAC24VDC
-10K1 +E1S	contactor/relay	1.000 L0052021	ABB BC7-30-10	Ub:19-26V;DC;Phal:3.5VA;S-el:3
	accessory/special	1.000 L0052025	ABB CAF 6-11M	H1S;Us:500V;Ps:440V/5.5KW 230VAC 4A 1S10
-10K2 +E1S	contactor/relay	1.000 L0052021	ABB BC7-30-10	Ub:19-26V;DC;Phal:3.5VA;S-el:3
	accessory/special	1.000 L0052025	ABB CAF 6-11M	H1S;Us:500V;Ps:440V/5.5KW 230VAC 4A 1S10
-10K3 +E3S	contactor/relay	1.000 L0052532	SCHRACK MT221024-25651111	Ub:20-34V;DC;Phal:1.2VA;S-el:2
	accessory/special	1.000 L0720852	KARL LUMBERG 108 PGS	W;Us:250V;Ps:250V/10A 8POL., 38*67*26MM
-10K4 +E3S	contactor/relay	1.000 L0052532	SCHRACK MT221024-25651111	Ub:20-34V;DC;Phal:1.2VA;S-el:2
	accessory/special	1.000 L0720852	KARL LUMBERG 108 PGS	W;Us:250V;Ps:250V/10A 8POL., 38*67*26MM
-10M1 +A	gear motor AC	1.000 L0051404	GETRIEBEBAU NORD SK400SU-63L/4BRE4	3ph;415V+/-10%50/60HZ, 180W, BRA KE230V;34Nm;50:1
-12F1 +E2S	fuse holder	1.000 L0754156	RITTAL SV3427	E27;3pol;25A;500V
	screwed cap	3.000 L0754600	FEGA GMBH DIN49514-DII-500	E27;25A;500V
	fuse insert	3.000 L0754720	-	E27;6A
	accessory/special	1.000 L0754157	RITTAL SV3428	E27, 3POL, 42*230MM, F. SV3427
	fuse cartridge	3.000 L0755420	MAINLAND GMBH DIN49515-DIIGL* 6*	DII;T6A;500V
-12P1 +A		1.000 L6641550		
-12S1 +A	limit/posit.switch	1.000 L0752804	HONEYWELL BZ-2RW 855-A2	380VAC;15A
	accessory/special	1.000 L0752807	HONEYWELL 5PA-PG9-1	PG9, 53.5*24.5*21MM
-12S2 +A	limit/posit.switch	1.000 L0752804	HONEYWELL BZ-2RW 855-A2	380VAC;15A
	accessory/special	1.000 L0752807	HONEYWELL 5PA-PG9-1	PG9, 53.5*24.5*21MM
-13F1 +E2S	fuse holder	1.000 L0754156	RITTAL SV3427	E27;3pol;25A;500V
	screwed cap	3.000 L0754600	FEGA GMBH DIN49514-DII-500	E27;25A;500V
	fuse insert	3.000 L0754720	-	E27;6A
	accessory/special	1.000 L0754157	RITTAL SV3428	E27, 3POL, 42*230MM, F. SV3427
	fuse cartridge	3.000 L0755420	MAINLAND GMBH DIN49515-DIIGL* 6*	DII;T6A;500V
-13P1 +A		1.000 L6641550		
-15B1 +A	proximity switch	1.000 L0752895	IFM ELECTRONIC IS-3002-BPOG+AS-510T	0-2mm;10-36V;DC;PNP;0.8kHz
-15B2	proximity switch		BALLUFF	0-3.2mm;10-30V;DC;PNP;0.4kHz

filter: (not ("I"\$GERAET) and (SYMBOLTYP<>"7") and (SYMBOLTYP< (C) De La Rue Giori S.A.

format: GLGBNH

desig: A233HANS

dated: 16.7.1997

page: 2

next page: 3

EQUIPMENT LIST

machine number: 621007un high item designation: -A

item inst.place	designation quantity part.no.	manufacturer type/order no.	technical data
+A	1.000 L0752959	BES516-3019-S4C	
-15B3 +A	proximity switch 1.000 L0752959	BALLUFF BES516-3019-S4C	0-3.2mm;10-30V;DC;PNP;0.4kHz
-25E1 +A	accessory/special 1.000 L0752231	PFANNENBERG DWBS ROT	24VDC, 0.15A, 3.6W, IP54, 1HZ; 66mm *235mm*50mm
-25V1 +E3S	solid state relay 1.000 L0056085	BDT 84-270	Ub:24Vf:DCHz;Us:24VIs:4A
-30V1 +E3S	solid state relay 1.000 L0056085	BDT 84-270	Ub:24Vf:DCHz;Us:24VIs:4A
-30V2 +E3S	solid state relay 1.000 L0056085	BDT 84-270	Ub:24Vf:DCHz;Us:24VIs:4A
-30V3 +E3S	solid state relay 1.000 L0056085	BDT 84-270	Ub:24Vf:DCHz;Us:24VIs:4A
*-30Y1 +A	clutch 1.000 L0059550	LENZE 14.105.16.1.3-009	24VDC;0.48A;50W;100Nm;350min-1
-30Y2 +A	solenoid valve 1.000 L0778506	VOGEL 202750-7	24VDC;100%
-30Y3 +A	1.000 L6698631		
*-45B1 +A	shaft encoder 1.000 L0053773	HENGSTLER RA58-S/0360EK.32KDPG	360S/U;GRAY-EX-Code;10-30V;DC; NPN
-45D1 +E4SD	cpu/memory/funct.u 1.000 L0056076	BDT 35TP90	PROC.T300;64 CHANNELS, FOR L00 56178
-45P1 +E4SD	digital display 1.000 L0056075	BDT 84-240	Dis:LCD;Ub:24V;Awert:9999;In:B CD-CODE
-50A1 +DT2	1.000 L0066220		
-50A1-H11 +DT2	signal lamp/holder 1.000 L0751784	ELAN EL 0280190	250V;UC;BA9S
	signal lamp/holder 1.000 L0751778	ELAN EMLH GRUEN	24V;UC;2W;BA9S
	bulb/led 1.000 L0752327	BARTHELME KRI/23	BA9S;30V;2W
-50A1-H14 +DT2	signal lamp/holder 1.000 L0751775	ELAN EMLH WEISS	24V;UC;2W;BA9S
	signal lamp/holder 1.000 L0751784	ELAN EL 0280190	250V;UC;BA9S
	bulb/led 1.000 L0752327	BARTHELME KRI/23	BA9S;30V;2W
-50A1-H15 +DT2	signal lamp/holder 1.000 L0751776	ELAN EMLH GELB	24V;DC;2W;BA9S
	signal lamp/holder 1.000 L0751784	ELAN EL 0280190	250V;UC;BA9S
	bulb/led 1.000 L0752327	BARTHELME KRI/23	BA9S;30V;2W
-50A1-H16 +DT2	signal lamp/holder 1.000 L0751777	ELAN EMLH ROT	24V;UC;2W;BA9S
	signal lamp/holder 1.000 L0751784	ELAN EL 0280190	250V;UC;BA9S
	bulb/led 1.000 L0752327	BARTHELME KRI/23	BA9S;30V;2W
-50A1-H18 +DT2	horn 1.000 L0054455	SPOERLE B/CP 50	5-50VUC;0.5W;87dB
-50A1-H100 +DT2	bulb/led 1.000 L0752219	MURRELEKTRONIK LED	24V;UC;0.3 (0.24)W

filter: (not ("I"\$GERAET)and(SYMBOLTYP<>"7")and(SYMBOLTYP< (C) De La Rue Giori S.A.

format: GLGBNH

desig: A233HANS

dated: 16.7.1997

page: 3

next page: 4

EQUIPMENT LIST machine number: 621007un high item designation: -A

item inst.place	designation	quantity	part.no.	manufacturer type/order no.	technical data
-50A1-H101 +DT2	bulb/led	1.000	L0752219	MURRELEKTRONIK LED	24V;UC;0.3 (0.24)W
-50A1-H102 +DT2	bulb/led	1.000	L0752219	MURRELEKTRONIK LED	24V;UC;0.3 (0.24)W
-50A1-H103 +DT2	bulb/led	1.000	L0752219	MURRELEKTRONIK LED	24V;UC;0.3 (0.24)W
-50A1-H104 +DT2	bulb/led	1.000	L0752219	MURRELEKTRONIK LED	24V;UC;0.3 (0.24)W
-50A1-H105 +DT2	bulb/led	1.000	L0752219	MURRELEKTRONIK LED	24V;UC;0.3 (0.24)W
-50A1-H106 +DT2	bulb/led	1.000	L0752219	MURRELEKTRONIK LED	24V;UC;0.3 (0.24)W
-50A1-H107 +DT2	bulb/led	1.000	L0752219	MURRELEKTRONIK LED	24V;UC;0.3 (0.24)W
-50A1-H108 +DT2	bulb/led	1.000	L0752219	MURRELEKTRONIK LED	24V;UC;0.3 (0.24)W
-50A1-H109 +DT2	bulb/led	1.000	L0752219	MURRELEKTRONIK LED	24V;UC;0.3 (0.24)W
-50A1-H110 +DT2	bulb/led	1.000	L0752219	MURRELEKTRONIK LED	24V;UC;0.3 (0.24)W
-50A1-H111 +DT2	bulb/led	1.000	L0752219	MURRELEKTRONIK LED	24V;UC;0.3 (0.24)W
-50A1-H112 +DT2	bulb/led	1.000	L0752219	MURRELEKTRONIK LED	24V;UC;0.3 (0.24)W
-50A1-H113 +DT2	bulb/led	1.000	L0752219	MURRELEKTRONIK LED	24V;UC;0.3 (0.24)W
-50A1-H114 +DT2	bulb/led	1.000	L0752219	MURRELEKTRONIK LED	24V;UC;0.3 (0.24)W
-50A1-H115 +DT2	bulb/led	1.000	L0752219	MURRELEKTRONIK LED	24V;UC;0.3 (0.24)W
-50A1-H116 +DT2	bulb/led	1.000	L0752219	MURRELEKTRONIK LED	24V;UC;0.3 (0.24)W
-50A1-H117 +DT2	bulb/led	1.000	L0752219	MURRELEKTRONIK LED	24V;UC;0.3 (0.24)W
-50A1-H118 +DT2	bulb/led	1.000	L0752219	MURRELEKTRONIK LED	24V;UC;0.3 (0.24)W
-50A1-H119 +DT2	bulb/led	1.000	L0752219	MURRELEKTRONIK LED	24V;UC;0.3 (0.24)W
-50A1-H120 +DT2	bulb/led	1.000	L0752219	MURRELEKTRONIK LED	24V;UC;0.3 (0.24)W
-50A1-H121 +DT2	bulb/led	1.000	L0752219	MURRELEKTRONIK LED	24V;UC;0.3 (0.24)W
-50A1-H122 +DT2	bulb/led	1.000	L0752219	MURRELEKTRONIK LED	24V;UC;0.3 (0.24)W
-50A1-S12 +DT2	switch/knob button	1.000	L0751727	ELAN EDL WS KB	22.5
	signal lamp/holder	1.000	L0751784	ELAN EL 0280190	250V;UC;BA9S
	contact element	1.000	L0751781	ELAN EF103.1	22.5;230VAC;10A
	bulb/led	1.000	L0752327	BARTHELME KRI/23	BA9S;30V;2W

EQUIPMENT LIST

machine number: 621007un high item designation: =A

item inst.place	designation quantity part.no.	manufacturer type/order no.	technical data
	shield 1.000 L0841274	ELAN E-KB-9.0	d:18.9mm
-50A1-S13 +DT2	switch/knob button 1.000 L0751805	ELAN EDT KB	22.5
	contact element 1.000 L0751781	ELAN EF103.1	22.5;230VAC;10A
	shield 1.000 L0840999	ELAN E-KB-9.1	d:18.9mm
-50A1-S17 +DT2	switch/knob button 1.000 L0751727	ELAN EDL WS KB	22.5
	signal lamp/holder 1.000 L0751784	ELAN EL 0280190	250V;UC;BA9S
	contact element 1.000 L0751781	ELAN EF103.1	22.5;230VAC;10A
	bulb/led 1.000 L0752327	BARTHELME KRI/23	BA9S;30V;2W
	shield 1.000 L0841274	ELAN E-KB-9.0	d:18.9mm
-50A1-S29 +DT2	switch/knob button 1.000 L0751719	ELAN EDRR40RT+EFR	22.5
	contact element 1.000 L0751742	ELAN EF220.1	22.5;400VAC;4A
	shield 1.000 L0751767	ELAN MDP-8	d:22.5mm
-50A1-S31 +DT2	switch/knob button 1.000 L0751727	ELAN EDL WS KB	22.5
	signal lamp/holder 1.000 L0751784	ELAN EL 0280190	250V;UC;BA9S
	contact element 1.000 L0751781	ELAN EF103.1	22.5;230VAC;10A
	bulb/led 1.000 L0752338	BARTHELME KRL/23	BA9S;30V;2W
	shield 1.000 L0841070	ELAN E-KB-9.0	d:18.9mm
-50A1-S32 +DT2	switch/knob button 1.000 L0751805	ELAN EDT KB	22.5
	contact element 1.000 L0751781	ELAN EF103.1	22.5;230VAC;10A
	shield 1.000 L0840999	ELAN E-KB-9.1	d:18.9mm
-50A1-S33 +DT2	switch/knob button 1.000 L0751805	ELAN EDT KB	22.5
	contact element 1.000 L0751781	ELAN EF103.1	22.5;230VAC;10A
	shield 1.000 L0840999	ELAN E-KB-9.1	d:18.9mm
-50A1-S34 +DT2	switch/knob button 1.000 L0751805	ELAN EDT KB	22.5
	contact element 1.000 L0751781	ELAN EF103.1	22.5;230VAC;10A
	shield 1.000 L0840999	ELAN E-KB-9.1	d:18.9mm
-50A1-S35 +DT2	switch/knob button 1.000 L0751805	ELAN EDT KB	22.5
	contact element 1.000 L0751781	ELAN EF103.1	22.5;230VAC;10A
	shield 1.000 L0841000	ELAN E-KB-9.1	d:18.9mm
-50A1-S36 +DT2	switch/knob button 1.000 L0751779	ELAN EDR35ROTKB	22.5
	contact element 1.000 L0751738	ELAN EF110.1	22.5;400VAC;6A
-50A1-S37 +DT2	switch/knob button 1.000 L0751805	ELAN EDT KB	22.5

filter: (not ("I"\$GERAET)and(SYMBOLTYP<>"7")and(SYMBOLTYP< (C) De La Rue Giori S.A.

format: GLGBNH

desig: A233HANS

dated: 16.7.1997

page: 5

next page: 6

EQUIPMENT LIST machine number: 621007un high item designation: =A

item inst.place	designation quantity part.no.	manufacturer type/order no.	technical data
	contact element 1.000 L0751781	ELAN EF103.1	22.5;230VAC;10A
	shield 1.000 L0840999	ELAN E-KB-9.1	d:18.9mm
-50A1-S38 +DT2	switch/knob button 1.000 L0751824	ELAN EDS14-0270630	22.5
	contact element 1.000 L0751781	ELAN EF103.1	22.5;230VAC;10A
-54P1 +A	digital display 1.000 L0053566	CONTRAVES ZAG15-100PD	Dis:LED;Ub:22-30V;Awert:99999; In:BCD-CODE,HIGH>=11VDC
-60A1 +DT2A	1.000 L0066221		
-60A1-S11 +DT2A	switch/knob button 1.000 L0751805	ELAN EDT KB	22.5
	contact element 1.000 L0751781	ELAN EF103.1	22.5;230VAC;10A
	shield 1.000 L0840999	ELAN E-KB-9.1	d:18.9mm
-60A2 +DT2B	1.000 L0066222		
-60A2-S11 +DT2B	switch/knob button 1.000 L0751805	ELAN EDT KB	22.5
	contact element 1.000 L0751781	ELAN EF103.1	22.5;230VAC;10A
	shield 1.000 L0840999	ELAN E-KB-9.1	d:18.9mm
-65A1 +DT2C	1.000 L0066223		
-65A1-H1 +DT2C	signal lamp/holder 1.000 L0751775	ELAN EMLH WEISS	24V;UC;2W;BA9S
	signal lamp/holder 1.000 L0751784	ELAN EL 0280190	250V;UC;BA9S
	bulb/led 1.000 L0752327	BARTHELME KRI/23	BA9S;30V;2W
-65A1-H2 +DT2C	signal lamp/holder 1.000 L0751775	ELAN EMLH WEISS	24V;UC;2W;BA9S
	signal lamp/holder 1.000 L0751784	ELAN EL 0280190	250V;UC;BA9S
	bulb/led 1.000 L0752327	BARTHELME KRI/23	BA9S;30V;2W

filter: (not ("I"\$GERAET) and (SYMBOLTYP<>"7") and (SYMBOLTYP< (C) De La Rue Giori S.A.

format: GLGBNH

desig: A233HANS

dated: 16.7.1997

page: 6

next page: 7

EQUIPMENT LIST machine number: 621007un high item designation: =B

item inst.place	designation quantity part.no.	manufacturer type/order no.	technical data
* -1B1 +B	rotating pulse gen 1.000 L0053548 plug/socket 1.000 L0756370 accessory/special 1.000 L0053533	HEIDENHAIN ROD 426B-00131000RV1 HEIDENHAIN / ABB 29169705 / 505560 BALLUFF BDG-630-03	1000Imp/U; 5V; DC; TTL; 6mm 12pol.; 30V; 0.5A; 0.5mm ² ; SCHRAUB M? D1=12 D2=3.5 L=5.5
-1L1 +E2S	smoothing choke 1.000 L0052882	ABB GD 805	1ph; 100V; 8A; 100mH
* -1M1 +B	motor DC 1.000 L0051710 accessory/special 1.000 L0053549 accessory/special 1.000 L0053551	ABB F9M4R+F9T ABB WAC 25-10-6 - 500933 ABB FPG 401 - 505757	Pn: 0.07kW; nmax: 4000min ⁻¹ ; Ua: 22 V; Ia: 6.4A; Mab: 1.15Nm D1=6 D2=10 L=30 D=110MM, L=64MM, PG9
* -1N1 +E2S	speed controller 1.000 L0052973	ABB 05SM8123-95	Un: 95 (40-95)Vf: DCHz; Ua: -70/+7 0VDC; Ia: 12A; Pn: 2.1kW
-5B1 +B	proximity switch 1.000 L0752957	BALLUFF BES516-356-S4C	0-3.2mm; 10-30V; DC; PNP; 0.4kHz
-5B2 +B	proximity switch 1.000 L0752896	IFM ELECTRONIC IS-3002-APOG+AS-510T	0-2mm; 10-36V; DC; PNP; 0.8kHz
-5B3 +B	proximity switch 1.000 L0752959	BALLUFF BES516-3019-S4C	0-3.2mm; 10-30V; DC; PNP; 0.4kHz
-5B4 +B	proximity switch 1.000 L0752957	BALLUFF BES516-356-S4C	0-3.2mm; 10-30V; DC; PNP; 0.4kHz
-5B5 +B	proximity switch 1.000 L0752959	BALLUFF BES516-3019-S4C	0-3.2mm; 10-30V; DC; PNP; 0.4kHz
-5X1 +B	adapter/plug eleme 1.000 L0851090 plug/socket 8.000 L0752977	MURRELEKTRONIK MVSS-AS-276208 MURRELEKTRONIK 27625	Un: 24V; In: 2 (50VA) A; Ans: 8+1 5pol.; 250V; 3A; 0.75mm ²
-10B1 +B	proximity switch 1.000 L0752895	IFM ELECTRONIC IS-3002-BPOG+AS-510T	0-2mm; 10-36V; DC; PNP; 0.8kHz
-10B2 +B	proximity switch 1.000 L0752895	IFM ELECTRONIC IS-3002-BPOG+AS-510T	0-2mm; 10-36V; DC; PNP; 0.8kHz
-10B3 +B	1.000 L-imLVS		
-10X1 +B	adapter/plug eleme 1.000 L0851090 plug/socket 8.000 L0752978	MURRELEKTRONIK MVSS-AS-276208 MURRELEKTRONIK 27635	Un: 24V; In: 2 (50VA) A; Ans: 8+1 5pol.; 250V; 3A; 0.75mm ² ; M12
-20S1 +B	limit/posit.switch 1.000 L0752641 accessory/special 1.000 L0752642	SCHMERSAL AZ15ZVRK SCHMERSAL B1	230VAC; 4A 56*28*16MM
-20S2 +B	limit/posit.switch 1.000 L0752641 accessory/special 1.000 L0752642	SCHMERSAL AZ15ZVRK SCHMERSAL B1	230VAC; 4A 56*28*16MM
-20S3 +B	limit/posit.switch 1.000 L0752641 accessory/special 1.000 L0752642	SCHMERSAL AZ15ZVRK SCHMERSAL B1	230VAC; 4A 56*28*16MM
-30B1 +B	photosensor 1.000 L0053460	DATALOGIC S5-5-A2-30 G5210230	0- 2000; 10-30VERPOLUNGSSICHERV DC; PNP/NPN; 0.2kHz
-30B2 +B	photosensor 1.000 L0053460	DATALOGIC S5-5-A2-30 G5210230	0- 2000; 10-30VERPOLUNGSSICHERV DC; PNP/NPN; 0.2kHz

filter: (not ("I"\$GERAET)and(SYMBOLTYP<>"7")and(SYMBOLTYP< (C) De La Rue Giori S.A.

format: GLGBNH

desig: A233HANS

dated: 16.7.1997

page: 7

next page: 8

EQUIPMENT LIST machine number: 621007un high item designation: =B

item inst.place	designation quantity part.no.	manufacturer type/order no.	technical data
-30B3 +B	photosensor 1.000 L0053394	WENGLOR SENSORIC LW86PCV3	0- 3500;10-30VDC;PNP;0.6kHz
-30X1 +B	adapter/plug eleme 1.000 L0851090 plug/socket 8.000 L0752978	MURRELEKTRONIK MVSS-AS-276208 MURRELEKTRONIK 27635	Un:24V;In:2 (50VA)A;Ans:8+1 5pol.;250V;3A;0.75mm2;M12
-40K1 +E3S	contactor/relay 1.000 L0052532 accessory/special 1.000 L0720852	SCHRACK MT221024-25651111 KARL LUMBERG 108 PGS	Ub:20-34V;DC;Phal:1.2VA;S-el:2 W;Us:250V;Ps:250V/10A 8POL.,38*67*26MM
-40V1 +E3S	solid state relay 1.000 L0056085	BDT 84-270	Ub:24Vf:DCHz;Us:24VIs:4A
-40V2 +E3S	solid state relay 1.000 L0056085	BDT 84-270	Ub:24Vf:DCHz;Us:24VIs:4A
-40V3 +E3S	solid state relay 1.000 L0056085	BDT 84-270	Ub:24Vf:DCHz;Us:24VIs:4A
-40V4 +E3S	solid state relay 1.000 L0056085	BDT 84-270	Ub:24Vf:DCHz;Us:24VIs:4A
-40X1 +B	adapter/plug eleme 1.000 L0851090 plug/socket 8.000 L0752978	MURRELEKTRONIK MVSS-AS-276208 MURRELEKTRONIK 27635	Un:24V;In:2 (50VA)A;Ans:8+1 5pol.;250V;3A;0.75mm2;M12
-40Y1 +B	1.000 L6698631		
-40Y2 +B	1.000 L6698631		
-40Y3 +B	1.000 L6698631		
-40Y4 +B	1.000 L6698631		
-50K1 +E3S	contactor/relay 1.000 L0052532 accessory/special 1.000 L0720852	SCHRACK MT221024-25651111 KARL LUMBERG 108 PGS	Ub:20-34V;DC;Phal:1.2VA;S-el:2 W;Us:250V;Ps:250V/10A 8POL.,38*67*26MM
-50V1 +E3S	solid state relay 1.000 L0056085	BDT 84-270	Ub:24Vf:DCHz;Us:24VIs:4A
-50V2 +E3S	solid state relay 1.000 L0056085	BDT 84-270	Ub:24Vf:DCHz;Us:24VIs:4A
-50V3 +E3S	solid state relay 1.000 L0056085	BDT 84-270	Ub:24Vf:DCHz;Us:24VIs:4A
-50Y1 +B	1.000 L6698631		
-50Y2 +B	1.000 L6698631		
-50Y4 +B	solenoid valve 1.000 L2670582 solenoid valve 1.000 L2670753	FESTO MSFG-24-4527 FESTO MFH-5-1/8 9982	24VUC,4.5W,ED:100%,IP65 100%
-60Y1 +B	solenoid valve 1.000 L2670582 solenoid valve 1.000 L2670753	FESTO MSFG-24-4527 FESTO MFH-5-1/8 9982	24VUC,4.5W,ED:100%,IP65 100%
-60Y2 +B	solenoid valve 1.000 L2670582	FESTO MSFG-24-4527	24VUC,4.5W,ED:100%,IP65

filter: (not ("I"\$GERAET) and (SYMBOLTYP<>"7") and (SYMBOLTYP< (C) De La Rue Giori S.A.

format: GLGBNH

desig: A233HANS

dated: 16.7.1997

page: 8

next page: 9

EQUIPMENT LIST		machine number: 621007un high item designation: =B		
item inst.place	designation quantity part.no.	manufacturer type/order no.	technical data	
	solenoid valve 1.000 L2670753	FESTO MFH-5-1/8 9982	100%	
-70A1 +DT3	1.000 L0066224			
-70A1-H13 +DT3	signal lamp/holder 1.000 L0751777	ELAN EMLH ROT	24V;UC;2W;BA9S	
	signal lamp/holder 1.000 L0751784	ELAN EL 0280190	250V;UC;BA9S	
	bulb/led 1.000 L0752327	BARTHELME KRI/23	BA9S;30V;2W	
-70A1-S11 +DT3	switch/knob button 1.000 L0751719	ELAN EDRR40RT+EFR	22.5	
	shield 1.000 L0751767	ELAN MDP-8	d:22.5mm	
	contact element 1.000 L0751742	ELAN EF220.1	22.5;400VAC;4A	
-70A1-S12 +DT3	contact element 1.000 L0751738	ELAN EF110.1	22.5;400VAC;6A	
	switch/knob button 1.000 L0751779	ELAN EDR35ROTKB	22.5	
-80A1 +DT4	1.000 L0066225			
-80A1-H26 +DT4	signal lamp/holder 1.000 L0751777	ELAN EMLH ROT	24V;UC;2W;BA9S	
	signal lamp/holder 1.000 L0751784	ELAN EL 0280190	250V;UC;BA9S	
	bulb/led 1.000 L0752327	BARTHELME KRI/23	BA9S;30V;2W	
-80A1-H33 +DT4	signal lamp/holder 1.000 L0751778	ELAN EMLH GRUEN	24V;UC;2W;BA9S	
	signal lamp/holder 1.000 L0751784	ELAN EL 0280190	250V;UC;BA9S	
	bulb/led 1.000 L0752327	BARTHELME KRI/23	BA9S;30V;2W	
-80A1-S11 +DT4	switch/knob button 1.000 L0751719	ELAN EDRR40RT+EFR	22.5	
	shield 1.000 L0751767	ELAN MDP-8	d:22.5mm	
	contact element 1.000 L0751742	ELAN EF220.1	22.5;400VAC;4A	
-80A1-S12 +DT4	switch/knob button 1.000 L0751727	ELAN EDL WS KB	22.5	
	signal lamp/holder 1.000 L0751784	ELAN EL 0280190	250V;UC;BA9S	
	contact element 1.000 L0751781	ELAN EF103.1	22.5;230VAC;10A	
	bulb/led 1.000 L0752327	BARTHELME KRI/23	BA9S;30V;2W	
	shield 1.000 L0841274	ELAN E-KB-9.0	d:18.9mm	
-80A1-S13 +DT4	switch/knob button 1.000 L0751727	ELAN EDL WS KB	22.5	
	signal lamp/holder 1.000 L0751784	ELAN EL 0280190	250V;UC;BA9S	
	contact element 1.000 L0751781	ELAN EF103.1	22.5;230VAC;10A	
	bulb/led 1.000 L0752327	BARTHELME KRI/23	BA9S;30V;2W	
	shield 1.000 L0841274	ELAN E-KB-9.0	d:18.9mm	
-80A1-S14 +DT4	switch/knob button 1.000 L0751727	ELAN EDL WS KB	22.5	
	signal lamp/holder 1.000 L0751784	ELAN EL 0280190	250V;UC;BA9S	

filter: (not ("I"\$GERAET)and(SYMBOLTYP<>"7")and(SYMBOLTYP< (C) De La Rue Giori S.A.

EQUIPMENT LIST machine number: 621007un high item designation: -B

item inst.place	designation quantity	part.no.	manufacturer type/order no.	technical data
	1.000	L0751784	EL 0280190	
		contact element	ELAN	22.5;230VAC;10A
	1.000	L0751781	EF103.1	
		bulb/led	BARTHELME	BA9S;30V;2W
	1.000	L0752327	KRI/23	
		shield	ELAN	d:18.9mm
	1.000	L0841274	E-KB-9.0	
-80A1-S15 +DT4	switch/knob button	ELAN		22.5
	1.000	L0751727	EDL WS KB	
		signal lamp/holder	ELAN	250V;UC;BA9S
	1.000	L0751784	EL 0280190	
		contact element	ELAN	22.5;230VAC;10A
	1.000	L0751781	EF103.1	
		bulb/led	BARTHELME	BA9S;30V;2W
	1.000	L0752327	KRI/23	
		shield	ELAN	d:18.9mm
	1.000	L0841274	E-KB-9.0	
-80A1-S16 +DT4	switch/knob button	ELAN		22.5
	1.000	L0751727	EDL WS KB	
		signal lamp/holder	ELAN	250V;UC;BA9S
	1.000	L0751784	EL 0280190	
		contact element	ELAN	22.5;230VAC;10A
	1.000	L0751781	EF103.1	
		bulb/led	BARTHELME	BA9S;30V;2W
	1.000	L0752327	KRI/23	
		shield	ELAN	d:18.9mm
	1.000	L0841274	E-KB-9.0	
-80A1-S17 +DT4	switch/knob button	ELAN		22.5
	1.000	L0751727	EDL WS KB	
		signal lamp/holder	ELAN	250V;UC;BA9S
	1.000	L0751784	EL 0280190	
		contact element	ELAN	22.5;230VAC;10A
	1.000	L0751781	EF103.1	
		bulb/led	BARTHELME	BA9S;30V;2W
	1.000	L0752327	KRI/23	
		shield	ELAN	d:18.9mm
	1.000	L0841274	E-KB-9.0	
-80A1-S21 +DT4	switch/knob button	ELAN		22.5
	1.000	L0751805	EDT KB	
		contact element	ELAN	22.5;230VAC;10A
	1.000	L0751781	EF103.1	
		shield	ELAN	d:18.9mm
	1.000	L0840999	E-KB-9.1	
-80A1-S22 +DT4	switch/knob button	ELAN		22.5
	1.000	L0751727	EDL WS KB	
		signal lamp/holder	ELAN	250V;UC;BA9S
	1.000	L0751784	EL 0280190	
		contact element	ELAN	22.5;230VAC;10A
	1.000	L0751781	EF103.1	
		bulb/led	BARTHELME	BA9S;30V;2W
	1.000	L0752327	KRI/23	
		shield	ELAN	d:18.9mm
	1.000	L0841274	E-KB-9.0	
-80A1-S23 +DT4	switch/knob button	ELAN		22.5
	1.000	L0751727	EDL WS KB	
		signal lamp/holder	ELAN	250V;UC;BA9S
	1.000	L0751784	EL 0280190	
		contact element	ELAN	22.5;230VAC;10A
	1.000	L0751781	EF103.1	
		bulb/led	BARTHELME	BA9S;30V;2W
	1.000	L0752327	KRI/23	
		shield	ELAN	d:18.9mm
	1.000	L0841274	E-KB-9.0	
-80A1-S24 +DT4	switch/knob button	ELAN		22.5
	1.000	L0751727	EDL WS KB	
		signal lamp/holder	ELAN	250V;UC;BA9S
	1.000	L0751784	EL 0280190	

filter: (not ("I"\$GERAET) and (SYMBOLTYP<>"7") and (SYMBOLTYP< (C) De La Rue Giori S.A.

format: GLGBNH

desig: A233HANS

dated: 16.7.1997

page:10

next page:11

item inst.place	designation quantity part.no.	manufacturer type/order no.	technical data
	contact element 1.000 L0751781	ELAN EF103.1	22.5;230VAC;10A
	bulb/led 1.000 L0752327	BARTHELME KRI/23	BA9S;30V;2W
	shield 1.000 L0841274	ELAN E-KB-9.0	d:18.9mm
-80A1-S27 +DT4	switch/knob button 1.000 L0751805	ELAN EDT KB	22.5
	contact element 1.000 L0751781	ELAN EF103.1	22.5;230VAC;10A
	shield 1.000 L0840999	ELAN E-KB-9.1	d:18.9mm
-80A1-S32 +DT4	switch/knob button 1.000 L0751805	ELAN EDT KB	22.5
	contact element 1.000 L0751781	ELAN EF103.1	22.5;230VAC;10A
	shield 1.000 L0840999	ELAN E-KB-9.1	d:18.9mm
-80A1-S35 +DT4	contact element 1.000 L0751781	ELAN EF103.1	22.5;230VAC;10A
	switch/knob button 1.000 L0751805	ELAN EDT KB	22.5
	shield 1.000 L0840999	ELAN E-KB-9.1	d:18.9mm
-80A1-S36 +DT4	contact element 1.000 L0751738	ELAN EF110.1	22.5;400VAC;6A
	switch/knob button 1.000 L0751779	ELAN EDR35ROTKB	22.5
-80A1-S37 +DT4	switch/knob button 1.000 L0751805	ELAN EDT KB	22.5
	contact element 1.000 L0751781	ELAN EF103.1	22.5;230VAC;10A
	shield 1.000 L0840999	ELAN E-KB-9.1	d:18.9mm
-90N1 +E3S	amplifier 1.000 L0053869	BOESER ODER HBM MVD2555	Ub:207-243VAC;f:50/60Hz;In:0.5 MV...1V;Out:+/- 0-10V
-90R1 +B	1.000 L6696860	<i>bridge for cutting power measurement</i>	

EQUIPMENT LIST

machine number: 621007un high item designation: =E

item inst.place	designation quantity part.no.	manufacturer type/order no.	technical data
-1F1 +E1S	prot.motor switch 1.000 L0057730	KLOECKNER-MOELLER PKZ2/ZM-10-8+CL-PKZ2	6-10A;690V
-1F2 +E1S	fuse cartridge 1.000 L0755470	MAINLAND GMBH DIN49515-DIIGL* 25*	DII;T25A;500V
	accessory/special 1.000 L0754157	RITTAL SV3428	E27,3POL,42*230MM,F.SV3427
	screwed cap 3.000 L0754600	FEGA GMBH DIN49514-DII-500	E27;25A;500V
	fuse insert 3.000 L0754770	DITHA GMBH DIN49516-DII*25	E27;25A
	fuse holder 1.000 L0754156	RITTAL SV3427	E27;3pol;25A;500V
-1Q1 +E1S	main switch 1.000 L0750510	KLOECKNER-MOELLER NZM6-100-EA+U	M.ROTEM GRIFF +AUSSENWARNSCHIL D
-1Z1 +E1S	overvoltage protec 1.000 L0052862	PHOENIX FM POWERTRAB	Un:280AC;P:10
-1Z2 +E1S	accessory/special 1.000 L0052863	PHOENIX UAK2-PE/S-230AC-BE	230VAC,18*90*41,>L0052864
	overvoltage protec 1.000 L0052864	PHOENIX UAK2-PE/S-X-230AC-ST	Un:230AC
-1Z3 +E1S	accessory/special 1.000 L0052865	PHOENIX UFB2/2-24DC-BE	24VDC,18*90*41MM,>L0052866
	overvoltage protec 1.000 L0052866	PHOENIX UFBK2/2-24DC-ST	Un:24DC;P:48
-5F1 +E2S	prot.motor switch 1.000 L0057718	KLOECKNER-MOELLER PKZM1-6	4-6A;690V
	accessory/special 1.000 L0057723	KLOECKNER-MOELLER NHI11-PKZM1	UE:500V,AMAX.6,1S10,AQ:2.5
-5S1 +E1S	limit/posit.switch 1.000 L0752605	RITTAL PS4127	230VAC;6A
-5S2 +E2S	limit/posit.switch 1.000 L0752605	RITTAL PS4127	230VAC;6A
-5S3 +E3S	limit/posit.switch 1.000 L0752605	RITTAL PS4127	230VAC;6A
-5S4 +E4S	limit/posit.switch 1.000 L0752605	RITTAL PS4127	230VAC;6A
-5S5 +E5S	limit/posit.switch 1.000 L0752605	RITTAL PS4127	230VAC;6A
-5S6 +E1ST	switch/knob button 1.000 L0751825	ELAN EDS13-0270625	22.5
	contact element 1.000 L0751781	ELAN EF103.1	22.5;230VAC;10A
-5T1 +E2S	transformer 1.000 L0052782	RATHGEBER ET1000	2ph;P:1000VA;Upri:380-460Vf:50 -60Hz;Ipri:2.63-2.17A;Usek:210
-6F1 +E1S	fuse cartridge 3.000 L0755470	MAINLAND GMBH DIN49515-DIIGL* 25*	DII;T25A;500V
	accessory/special 1.000 L0754157	RITTAL SV3428	E27,3POL,42*230MM,F.SV3427
	screwed cap 3.000 L0754600	FEGA GMBH DIN49514-DII-500	E27;25A;500V
	fuse insert 3.000 L0754770	DITHA GMBH DIN49516-DII*25	E27;25A
	fuse holder 1.000 L0754156	RITTAL SV3427	E27;3pol;25A;500V
-6F2 +E1S	fuse cartridge 1.000 L0755440	MAINLAND GMBH DIN49515-DIIGL* 16*	DII;T16A;500V
	screwed cap 3.000 L0754600	FEGA GMBH DIN49514-DII-500	E27;25A;500V
	fuse insert	MAINLAND GMBH	E27;16A

filter: (not ("I"\$GERAET) and (SYMBOLTYP<>"7") and (SYMBOLTYP< (C) De La Rue Giori S.A.

format: GLGBNH

desig: A233HANS

dated: 16.7.1997

page:12

next page:13

EQUIPMENT LIST machine number: 621007un high item designation: =E

item inst.place	designation quantity part.no.	manufacturer type/order no.	technical data
	3.000 L0754740 fuse holder	DIN49516-DII*16 RITTAL	E27;3pol;25A;500V
	1.000 L0754156 accessory/special	SV3427 RITTAL	E27,3POL,42*230MM,F.SV3427
	3.000 L0754157 SV3428		
-6F3 +E1S	3.000 L0755440 fuse cartridge	MAINLAND GMBH DIN49515-DIIGL* 16*	DII;T16A;500V
	screwed cap	FEGA GMBH	E27;25A;500V
	3.000 L0754600 fuse insert	DIN49514-DII-500 MAINLAND GMBH	E27;16A
	3.000 L0754740 fuse holder	DIN49516-DII*16 RITTAL	E27;3pol;25A;500V
	1.000 L0754156 accessory/special	SV3427 RITTAL	E27,3POL,42*230MM,F.SV3427
	1.000 L0754157 SV3428		
-6F4 +E1S	3.000 L0755410 fuse cartridge	MAINLAND GMBH DIN49515-DIIGL* 4*	DII;T4A;500V
	accessory/special	RITTAL	E27,3POL,42*230MM,F.SV3427
	1.000 L0754157 SV3428		
	screwed cap	FEGA GMBH	E27;25A;500V
	3.000 L0754600 fuse insert	DIN49514-DII-500 -	E27;4A
	3.000 L0754710 fuse holder	DIN49516-DII* 4 RITTAL	E27;3pol;25A;500V
	1.000 L0754156 SV3427		
-6F5 +E1S	1.000 L0755440 fuse cartridge	MAINLAND GMBH DIN49515-DIIGL* 16*	DII;T16A;500V
	screwed cap	FEGA GMBH	E27;25A;500V
	3.000 L0754600 fuse insert	DIN49514-DII-500 MAINLAND GMBH	E27;16A
	3.000 L0754740 fuse holder	DIN49516-DII*16 RITTAL	E27;3pol;25A;500V
	1.000 L0754156 accessory/special	SV3427 RITTAL	E27,3POL,42*230MM,F.SV3427
	3.000 L0754157 SV3428		
-6T1 +E1S	1.000 L0052734 transformer	RATHGEBER DE100	3ph;P:600VA;Upri:415-480Vf:50-60Hz;Ipri:0.72-0.83A;Usek:380-
-7E1 +E1S	1.000 L0758430 lamp	FLUOLITE / MAINLAND TSF115SET	230V;50Hz;15W
-7E2 +E2S	1.000 L0758430 lamp	FLUOLITE / MAINLAND TSF115SET	230V;50Hz;15W
-7E3 +E3S	1.000 L0758430 lamp	FLUOLITE / MAINLAND TSF115SET	230V;50Hz;15W
-7E4 +E4S	1.000 L0758430 lamp	FLUOLITE / MAINLAND TSF115SET	230V;50Hz;15W
-7S1 +E1S	1.000 L0752605 limit/posit.switch	RITTAL PS4127	230VAC;6A
-7S2 +E2S	1.000 L0752605 limit/posit.switch	RITTAL PS4127	230VAC;6A
-7S3 +E3S	1.000 L0752605 limit/posit.switch	RITTAL PS4127	230VAC;6A
-7S4 +E4S	1.000 L0752605 limit/posit.switch	RITTAL PS4127	230VAC;6A
-10F1 +E1S	2.000 L0755410 fuse cartridge	MAINLAND GMBH DIN49515-DIIGL* 4*	DII;T4A;500V
	accessory/special	RITTAL	E27,3POL,42*230MM,F.SV3427
	1.000 L0754157 SV3428		
	screwed cap	FEGA GMBH	E27;25A;500V
	2.000 L0754600 fuse insert	DIN49514-DII-500 -	E27;4A
	2.000 L0754710 DIN49516-DII* 4		

filter: (not ("I"\$GERAET) and (SYMBOLTYP<>"7") and (SYMBOLTYP< (C) De La Rue Giori S.A.

format: GLGBNH

desig: A233HANS

dated: 16.7.1997

page:13

next page:14

EQUIPMENT LIST		machine number: 621007un		high item designation: =E
item	designation	manufacturer	technical data	
inst.place	quantity part.no.	type/order no.		
	fuse holder	RITTAL	E27;3pol;25A;500V	
	1.000 L0754156	SV3427		
-10F2	automatic fuse	ABB	1pol;K;6A;440V;60VDC	
+E1S	1.000 L0057862	GHS271-K6		
-10H1	signal lamp/holder	ELAN	24V;UC;2W;BA9S	
+E1ST	1.000 L0751775	EMLH WEISS		
	signal lamp/holder	ELAN	230V;AC;2W;BA9S	
	1.000 L0751785	ELT		
	bulb/led	CUTLER-HAMMER	BA9S;6V;1.5W	
	1.000 L0752322	BA9S		
-10H2	signal lamp/holder	ELAN	24V;UC;2W;BA9S	
+E1ST	1.000 L0751777	EMLH ROT		
	signal lamp/holder	ELAN	250V;UC;BA9S	
	1.000 L0751784	EL 0280190		
	bulb/led	BARTHELME	BA9S;30V;2W	
	1.000 L0752327	KRI/23		
-10H3	signal lamp/holder	ELAN	24V;UC;2W;BA9S	
+E1ST	1.000 L0751778	EMLH GRUEN		
	signal lamp/holder	ELAN	250V;UC;BA9S	
	1.000 L0751784	EL 0280190		
	bulb/led	BARTHELME	BA9S;30V;2W	
	1.000 L0752327	KRI/23		
-10K1	contactor/relay	ABB	Ub:220-240V;AC;f:50/60Hz;Phal:9VA;S-el:4S40;Us:230V;Ps:230V/	
+E1S	1.000 L0052000	K44E		
-10M1	blower/ventilator	RITTAL	1ph;230cbm/h;265cbm/h;230V;50/60Hz	
+E1S	1.000 L0053283	SK3325.100		
-10M2	blower/ventilator	RITTAL	1ph;230cbm/h;265cbm/h;230V;50/60Hz	
+E3S	1.000 L0053283	SK3325.100		
-10M3	blower/ventilator	RITTAL	1ph;230cbm/h;265cbm/h;230V;50/60Hz	
+E5S	1.000 L0053283	SK3325.100		
-10P1	digital display	MUELLER&WEIGERT	f:15-99Hz;In:0-600VUC	
+E1ST	1.000 L0053970	EPR 144S		
-10R1	resistor	DRALORIC	1K20hm5%;1W	
+E3S	1.000 L0058224	LCA0719		
-10S1	main switch	KRAUS & NAIMER		
+E1ST	1.000 L0750301	CH16B-A201-600E-G002		
-10T1	transformer	RATHGEBER	2ph;P:1000VA;Upri:380-460Vf:50-60Hz;Ipri:2.63-2.17A;Usek:210	
+E1S	1.000 L0052782	ET1000		
-15F1	prot.motor switch	KLOECKNER-MOELLER	2.4-4A;660V	
+E1S	1.000 L0057742	PKZ2/ZM-4+NHI11-PKZ2		
-15F2	automatic fuse	ABB	1pol;K;16A;440V;60VDC	
+E1S	1.000 L0057864	GHS271-K16		
	accessory/special	ABB	5VA MIN BEI 24V / 1S10	
	1.000 L0057860	S2-H11		
-15F3	automatic fuse	ABB	1pol;K;16A;440V;60VDC	
+E1S	1.000 L0057864	GHS271-K16		
	accessory/special	ABB	5VA MIN BEI 24V / 1S10	
	1.000 L0057860	S2-H11		
-15F4	automatic fuse	ABB	1pol;K;16A;440V;60VDC	
+E1S	1.000 L0057864	GHS271-K16		
	accessory/special	ABB	5VA MIN BEI 24V / 1S10	
	1.000 L0057860	S2-H11		
-15F5	monitoring device	DOLD & SOEHNE	0.7..1.3*U.N;15-33V;DC	
+E1S	1.000 L0052453	BA903712/001		
-15G1	mains unit	SIEMENS	400V;50/60Hz;24-28.8VDC 40A;0.96kW	
+E1S	1.000 L0052808	6EP1437-1SL11		

EQUIPMENT LIST machine number: 621007un high item designation: =E

item inst.place	designation quantity	part.no.	manufacturer type/order no.	technical data
-20F1 +E5S	monitoring device 1.000	L0052453	DOLD & SOEHNE BA903712/001	0.7..1.3*U.N;15-33V;DC
-20F2 +E5S	automatic fuse 1.000	L0057864	ABB GHS271-K16	1pol;K;16A;440V;60VDC
-20F3 +E5S	automatic fuse 1.000 accessory/special 1.000	L0057863 L0057860	ABB GHS271-K10 ABB S2-H11	1pol;K;10A;440V;60VDC 5VA MIN BEI 24V / 1S10
-20G1 +E5S	mains unit 1.000	L0052808	SIEMENS 6EP1437-1SL11	400V;50/60Hz;24-28.8VDC 40A;0.96kW
-20G2 +E5S	battery 1.000	L0052803	SONNENSCHNEIN 6MX6G 0889561500	STARTER;12V;25Ah
-20G3 +E5S	battery 1.000	L0052803	SONNENSCHNEIN 6MX6G 0889561500	STARTER;12V;25Ah
-20H1 +E3S	signal lamp/holder 1.000 signal lamp/holder 1.000 bulb/led 1.000	L0751775 L0751784 L0752327	ELAN EMLH WEISS ELAN EL 0280190 BARTHELME KRI/23	24V;UC;2W;BA9S 250V;UC;BA9S BA9S;30V;2W
-20K1 +E5S	contactor/relay 1.000	L0052022	ABB BC7-30-01	Ub:19-26V;DC;Phal:3.5VA;S-el:3H10;Us:500V;Ps:440V/5.5KW
-20K2 +E5S	contactor/relay 1.000	L0052041	ABB BC16-30-10	Ub:21-26V;DC;Phal:7VA;S-el:3H1S;Us:660V;Ps:415V/7.5KW
-20Q1 +E3S	main switch 1.000	L0750302	KRAUS & NAIMER CH16B-A203-600E-S1-	
-20T1 +E5S	transformer 1.000	L0052782	RATHGEBER ET1000	2ph;P:1000VA;Upri:380-460Vf:50-60Hz;Ipri:2.63-2.17A;Usek:210
-20V1 +E5S	accessory/special 1.000 rectifier 1.000	L0052631 L0052633	SEMIKRON P5/100-35-45-M4 SEMIKRON SKB30/08A1	100*108*38MM 1ph;Un:300V;In:21.0A;Uss:800V
-21F1 +E5S	automatic fuse 1.000 accessory/special 1.000	L0057864 L0057860	ABB GHS271-K16 ABB S2-H11	1pol;K;16A;440V;60VDC 5VA MIN BEI 24V / 1S10
-21F2 +E5S	automatic fuse 1.000 accessory/special 1.000	L0057864 L0057860	ABB GHS271-K16 ABB S2-H11	1pol;K;16A;440V;60VDC 5VA MIN BEI 24V / 1S10
-21F3 +E5S	automatic fuse 1.000 accessory/special 1.000	L0057864 L0057860	ABB GHS271-K16 ABB S2-H11	1pol;K;16A;440V;60VDC 5VA MIN BEI 24V / 1S10
-21F4 +E5S	automatic fuse 1.000 accessory/special 1.000	L0057863 L0057860	ABB GHS271-K10 ABB S2-H11	1pol;K;10A;440V;60VDC 5VA MIN BEI 24V / 1S10
-21F5 +E5S	automatic fuse 1.000	L0057864	ABB GHS271-K16	1pol;K;16A;440V;60VDC
-21F6 +E5S	automatic fuse 1.000	L0057862	ABB GHS271-K6	1pol;K;6A;440V;60VDC
-21F7 +E5S	automatic fuse 1.000	L0057861	ABB GHS271-K1	1pol;K;1A;440V;60VDC
-21F8	automatic fuse		ABB	1pol;K;10A;440V;60VDC

filter: (not ("I"\$GERAET) and (SYMBOLTYP<>"7") and (SYMBOLTYP< (C) De La Rue Giori S.A.

format: GLGBNH

desig: A233HANS

dated: 16.7.1997

page:15

next page:16

EQUIPMENT LIST		machine number: 621007un		high item designation: =E	
item	designation	manufacturer	technical data		
inst.place	quantity part.no.	type/order no.			
+E5S	1.000 L0057863	GHS271-K10			
	accessory/special	ABB			
	1.000 L0057860	S2-H11	5VA MIN BEI 24V / 1S10		
-25D1	edp/interface-acce	PDV-SYSTEME			
+E5S	1.000 L0055325	CIR-E-386SX7-24VDC	80386SX;20MHz;FLOPPY 1.44MB;14";24VDC		
-25F2	fuse cartridge	KEMPF			
+E5S	1.000 L0755860	5*20	5*20;T2A;250V		
	accessory/special	WAGO			
	1.000 L0720100	281-611	800V,F.FUSES 5*20/25/30MM	AWG28-12	
-25F3	fuse cartridge	KEMPF			
+E5S	1.000 L0755860	5*20	5*20;T2A;250V		
	accessory/special	WAGO			
	1.000 L0720100	281-611	800V,F.FUSES 5*20/25/30MM	AWG28-12	
-25M1	blower/ventilator	RITTAL			
+E5S	1.000 L0053279	SK3341.230	1ph;480cbm/h;480cbm/h;230V;50/60Hz		
-25M2	blower/ventilator	TELEMETER ELECTRONIC			
+E5S	1.000 L0053291	LE 2-3E-11	3ph;169.2cbm/h;230V;50/60Hz		
-25R1	resistor	DRALORIC			
+E4S	1.000 L0058224	LCA0719	1K20hm5%;1W		
-25X2	plug/socket	DITTHA			
+E4SD	1.000 L0756070	2300/2-EWS	2pol.;250V;16A;PE;1.5mm2;STECK		
* -25Z1	filter	PHOENIX			
+E5S	1.000 L0052861	NEF1-3	1ph;250VAC50-60Hz;3A;0.75kW		
-25Z2	filter	PHOENIX			
+E5S	1.000 L0052861	NEF1-3	1ph;250VAC50-60Hz;3A;0.75kW		
* -30G1	mains unit	VERO ELECTRONICS			
+E4SD	1.000 L0056044	MONOVOLT GK30-2	24V;DCHz;4.5-5.5VDC/6A;0.03kW		
* -40F1	monitoring device	ABB			
+E3S	1.000 L0056108	07ZW80R2	17-31V;DC		
-40F2	monitoring device	ABB			
+E3S	1.000 L0056108	07ZW80R2	17-31V;DC		
-40F4	filter	MURRELEKTRONIK			
+E1S	1.000 L0052874	VG-BC6/24	1ph;24VAC24VDC		
-40F5	filter	MURRELEKTRONIK			
+E1S	1.000 L0052874	VG-BC6/24	1ph;24VAC24VDC		
-40H1	horn	SIEMENS			
+E1S	1.000 L0054452	HF 2	230VAC;50/60Hz;25W;100dB		
-40K1	contactor/relay	ABB			
+E1S	1.000 L0052022	BC7-30-01	Ub:19-26V;DC;Phal:3.5VA;S-el:3 H1O;Us:500V;Ps:440V/5.5KW		
-40K2	contactor/relay	ABB			
+E1S	1.000 L0052022	BC7-30-01	Ub:19-26V;DC;Phal:3.5VA;S-el:3 H1O;Us:500V;Ps:440V/5.5KW		
-40N1	terminal	UEG			
+E4S	1.000 L0720370	ES6	Amax:6mm2		
-41F1	monitoring device	ABB			
+E3S	1.000 L0056108	07ZW80R2	17-31V;DC		
-41F2	filter	MURRELEKTRONIK			
+E1S	1.000 L0052874	VG-BC6/24	1ph;24VAC24VDC		
-41K1	contactor/relay	ABB			
+E1S	1.000 L0052022	BC7-30-01	Ub:19-26V;DC;Phal:3.5VA;S-el:3 H1O;Us:500V;Ps:440V/5.5KW		
-41S1	switch/knob button	ELAN			
+E2S	1.000 L0751805	EDT KB	22.5		
	contact element	ELAN	22.5;230VAC;10A		

filter: (not ("I"\$GERAET) and (SYMBOLTYP<>"7") and (SYMBOLTYP<

format: GLGBNH

desig: A233HANS

dated: 16.7.1997

page:16

next page:17

(C) De La Rue Giori S.A.

EQUIPMENT LIST machine number: 621007un high item designation: =E

item inst.place	designation quantity part.no.	manufacturer type/order no.	technical data
	1.000 L0751781 shield	EF103.1 ELAN	d:18.9mm
	1.000 L0840999	E-KB-9.1	
-45A1 +E5S	front panel 1.000 L0750819	SCHODER GMBH N.Z.	483mm*266mm*3mm;7pol
-45H3 +E5S	signal lamp/holder 1.000 L0751776	ELAN EMLH GELB	24V;DC;2W;BA9S
	signal lamp/holder 1.000 L0751784	ELAN EL 0280190	250V;UC;BA9S
	bulb/led 1.000 L0752327	BARTHELME KRI/23	BA9S;30V;2W
-45S1 +E5S	switch/knob button 1.000 L0751888	ELAN EDS16-41330	22.5
	contact element 1.000 L0751781	ELAN EF103.1	22.5;230VAC;10A
-45S2 +E5S	switch/knob button 1.000 L0751888	ELAN EDS16-41330	22.5
	contact element 1.000 L0751781	ELAN EF103.1	22.5;230VAC;10A
-45S4 +E5S	switch/knob button 1.000 L0751805	ELAN EDT KB	22.5
	contact element 1.000 L0751781	ELAN EF103.1	22.5;230VAC;10A
	shield 1.000 L0840999	ELAN E-KB-9.1	d:18.9mm
-45S5 +E5S	switch/knob button 1.000 L0751825	ELAN EDS13-0270625	22.5
	contact element 1.000 L0751781	ELAN EF103.1	22.5;230VAC;10A
-45S6 +E5S	switch/knob button 1.000 L0751825	ELAN EDS13-0270625	22.5
	contact element 1.000 L0751781	ELAN EF103.1	22.5;230VAC;10A
-45S7 +E5S	switch/knob button 1.000 L0751805	ELAN EDT KB	22.5
	contact element 1.000 L0751781	ELAN EF103.1	22.5;230VAC;10A
	shield 1.000 L0840999	ELAN E-KB-9.1	d:18.9mm
*-46P1 +E5S	digital display 1.000 L0053712	HENGSTLER 422.1	Ub:22-26V;Awert:999999;In:IMPULS:24VDC,>=20MS
-46P2 +E5S	digital display 1.000 L0053712	HENGSTLER 422.1	Ub:22-26V;Awert:999999;In:IMPULS:24VDC,>=20MS
-46P3 +E5S	digital display 1.000 L0053712	HENGSTLER 422.1	Ub:22-26V;Awert:999999;In:IMPULS:24VDC,>=20MS
-46P4 +E5S	digital display 1.000 L0053712	HENGSTLER 422.1	Ub:22-26V;Awert:999999;In:IMPULS:24VDC,>=20MS
-60V5 +E3S	rectifier 1.000 L0052633	SEMIKRON SKB30/08A1	1ph;Un:300V;In:21.0A;Uss:800V
-60V6 +E3S	rectifier 1.000 L0052633	SEMIKRON SKB30/08A1	1ph;Un:300V;In:21.0A;Uss:800V
-66C1 +E1S	capacitor 1.000 L0058832	BERGER 00054570071	2.2µF5%;400VAC
-66D1 +E3S	gate/logical eleme 1.000 L0053523	ABB R414	24V;18mm*120mm*99mm
-66V1 +E1S	solid state relay 1.000 L0052543	ABB R102.43	Ub:17-32Vf:DCHz;Us:460VIs:10A

filter: (not ("I"\$GERAET) and (SYMBOLTYP<>"7") and (SYMBOLTYP< (C) De La Rue Giori S.A.

format: GLGBNH

desig: A233HANS

dated: 16.7.1997

page:17

next page:18

EQUIPMENT LIST

machine number: 621007un high item designation: =E

item inst.place	designation quantity	part.no.	manufacturer type/order no.	technical data
-66V2 +E1S	solid state relay 1.000	L0052543	ABB R102.43	Ub:17-32Vf:DCHz;Us:460VIs:10A
-68C1 +E1S	capacitor 1.000	L0058832	BERGER 00054570071	2.2μF5%;400VAC
-68D1 +E3S	gate/logical eleme 1.000	L0053523	ABB R414	24V;18mm*120mm*99mm
-68V1 +E1S	solid state relay 1.000	L0052543	ABB R102.43	Ub:17-32Vf:DCHz;Us:460VIs:10A
-68V2 +E1S	solid state relay 1.000	L0052543	ABB R102.43	Ub:17-32Vf:DCHz;Us:460VIs:10A
-74N1 +E3S	amplifier 1.000	L0056084	BDT 84-310	Ub:24VDC;In:5V,FL.BUCHSE;Out:24V/0.5A,FUSE:0.6A
-75D1 +E3S	gate/logical eleme 1.000	L0053526	ABB SIGMATRONIC B-R427.1	24V;20mm*88mm*109mm
-75F1 +E2S	prot.motor switch 1.000	L0057710	KLOECKNER-MOELLER PKZM1-0,16	0.1-0.16A;690V
	accessory/special 1.000	L0057723	KLOECKNER-MOELLER NHI11-PKZM1	UE:500V,AMAX.6,1S10,AQ:2.5
-75F2 +E1S	filter 1.000	L0052874	MURRELEKTRONIK VG-BC6/24	1ph;24VAC24VDC
-75K1 +E1S	contactor/relay 1.000	L0052022	ABB BC7-30-01	Ub:19-26V;DC;Phal:3.5VA;S-el:3H10;Us:500V;Ps:440V/5.5KW
-80F1 +E2S	fuse cartridge 1.000	L0755441	SIEMENS AG DIN49515-DIIGR* 16*	DII;FF16A;500V
	screwed cap 1.000	L0754600	FEGA GMBH DIN49514-DII-500	E27;25A;500V
	fuse insert 1.000	L0754740	MAINLAND GMBH DIN49516-DII*16	E27;16A
-80F2 +E1S	overvoltage protec 1.000	L0052694	SPOERLE 595	Un:275AC;P:40
-80U1 +E4S	signal converter 1.000	L0054319	RITZ ESMU-A-A1,5A	AC;In:5A/45-66HZ;Out:0-10V/0-20MA
-80V1 +E1S	solid state relay 1.000	L0052541	ELECTROMATIC RA2424-D06	Ub:3-32Vf:DCHz;Us:280Vfs:60kHz;Is:25A
-81U1 +E4S	signal converter 1.000	L0054314	PHOENIX MCR-PT100/2/300/1/0	Ub:20-30VDC;In:PT100;Out:0-20MA
-81U2 +E4S	signal converter 1.000	L0054310	PHOENIX MCR-C-I/U-0	Ub:20-30VDC;In:0-20MA,RE=50;Out:0-10V,RE=2K
-85D1 +E3S	gate/logical eleme 1.000	L0053526	ABB SIGMATRONIC B-R427.1	24V;20mm*88mm*109mm
-85F1 +E2S	prot.motor switch 1.000	L0057710	KLOECKNER-MOELLER PKZM1-0,16	0.1-0.16A;690V
	accessory/special 1.000	L0057723	KLOECKNER-MOELLER NHI11-PKZM1	UE:500V,AMAX.6,1S10,AQ:2.5
-85F2 +E1S	filter 1.000	L0052874	MURRELEKTRONIK VG-BC6/24	1ph;24VAC24VDC
-85K1 +E1S	contactor/relay 1.000	L0052022	ABB BC7-30-01	Ub:19-26V;DC;Phal:3.5VA;S-el:3H10;Us:500V;Ps:440V/5.5KW
-95D1 +E3S	gate/logical eleme 1.000	L0053526	ABB SIGMATRONIC B-R427.1	24V;20mm*88mm*109mm
-95F1 +E2S	prot.motor switch 1.000	L0057710	KLOECKNER-MOELLER PKZM1-0,16	0.1-0.16A;690V
	accessory/special 1.000	L0057723	KLOECKNER-MOELLER NHI11-PKZM1	UE:500V,AMAX.6,1S10,AQ:2.5

filter: (not ("I"\$GERAET) and (SYMBOLTYP<>"7") and (SYMBOLTYP< (C) De La Rue Giori S.A.

format: GLGBNH

desig: A233HANS

dated: 16.7.1997

page:18

next page:19

EQUIPMENT LIST machine number: 621007un high item designation: =E

item inst.place	designation quantity part.no.	manufacturer type/order no.	technical data
	1.000 L0057723	NHI11-PKZM1	
-95F2 +E1S	filter 1.000 L0052874	MURRELEKTRONIK VG-BC6/24	1ph;24VAC24VDC
-95K1 +E1S	contactor/relay 1.000 L0052022	ABB BC7-30-01	Ub:19-26V;DC;Phal:3.5VA;S-el:3 H1O;Us:500V;Ps:440V/5.5KW
-105D1 +E3S	gate/logical eleme 1.000 L0053526	ABB SIGMATRONIC B-R427.1	24V;20mm*88mm*109mm
-105F1 +E2S	prot.motor switch 1.000 L0057710 accessory/special 1.000 L0057723	KLOECKNER-MOELLER PKZM1-0,16 KLOECKNER-MOELLER NHI11-PKZM1	0.1-0.16A;690V UE:500V,AMAX.6,1S1O,AQ:2.5
-105F2 +E1S	filter 1.000 L0052874	MURRELEKTRONIK VG-BC6/24	1ph;24VAC24VDC
-105K1 +E1S	contactor/relay 1.000 L0052022	ABB BC7-30-01	Ub:19-26V;DC;Phal:3.5VA;S-el:3 H1O;Us:500V;Ps:440V/5.5KW
-115D1 +E3S	gate/logical eleme 1.000 L0053526	ABB SIGMATRONIC B-R427.1	24V;20mm*88mm*109mm
-115F1 +E2S	prot.motor switch 1.000 L0057710 accessory/special 1.000 L0057723	KLOECKNER-MOELLER PKZM1-0,16 KLOECKNER-MOELLER NHI11-PKZM1	0.1-0.16A;690V UE:500V,AMAX.6,1S1O,AQ:2.5
-115F2 +E1S	filter 1.000 L0052874	MURRELEKTRONIK VG-BC6/24	1ph;24VAC24VDC
-115K1 +E1S	contactor/relay 1.000 L0052022	ABB BC7-30-01	Ub:19-26V;DC;Phal:3.5VA;S-el:3 H1O;Us:500V;Ps:440V/5.5KW
-125D1 +E3S	gate/logical eleme 1.000 L0053526	ABB SIGMATRONIC B-R427.1	24V;20mm*88mm*109mm
-125F1 +E2S	prot.motor switch 1.000 L0057710 accessory/special 1.000 L0057723	KLOECKNER-MOELLER PKZM1-0,16 KLOECKNER-MOELLER NHI11-PKZM1	0.1-0.16A;690V UE:500V,AMAX.6,1S1O,AQ:2.5
-125F2 +E1S	filter 1.000 L0052874	MURRELEKTRONIK VG-BC6/24	1ph;24VAC24VDC
-125K1 +E1S	contactor/relay 1.000 L0052022	ABB BC7-30-01	Ub:19-26V;DC;Phal:3.5VA;S-el:3 H1O;Us:500V;Ps:440V/5.5KW
-130R1 +E4S	resistor 1.000 L0058224	DRALORIC LCA0719	1K20hm5%;1W
-135D1 +E3S	gate/logical eleme 1.000 L0053526	ABB SIGMATRONIC B-R427.1	24V;20mm*88mm*109mm
-135F1 +E2S	prot.motor switch 1.000 L0057710 accessory/special 1.000 L0057723	KLOECKNER-MOELLER PKZM1-0,16 KLOECKNER-MOELLER NHI11-PKZM1	0.1-0.16A;690V UE:500V,AMAX.6,1S1O,AQ:2.5
-135F2 +E1S	filter 1.000 L0052874	MURRELEKTRONIK VG-BC6/24	1ph;24VAC24VDC
-135K1 +E1S	contactor/relay 1.000 L0052022	ABB BC7-30-01	Ub:19-26V;DC;Phal:3.5VA;S-el:3 H1O;Us:500V;Ps:440V/5.5KW
-145D1 +E3S	gate/logical eleme 1.000 L0053526	ABB SIGMATRONIC B-R427.1	24V;20mm*88mm*109mm
-145F1 +E2S	prot.motor switch 1.000 L0057710 accessory/special 1.000 L0057723	KLOECKNER-MOELLER PKZM1-0,16 KLOECKNER-MOELLER NHI11-PKZM1	0.1-0.16A;690V UE:500V,AMAX.6,1S1O,AQ:2.5

filter: (not ("I"\$GERAET) and (SYMBOLTYP<>"7") and (SYMBOLTYP< (C) De La Rue Giori S.A.

format: GLGBNH

desig: A233HANS

dated: 16.7.1997

page:19

next page:20

EQUIPMENT LIST		machine number: 621007un		high item designation: =E
item inst.place	designation quantity	part.no.	manufacturer type/order no.	technical data
-145F2 +E1S	filter	1.000 L0052874	MURRELEKTRONIK VG-BC6/24	1ph;24VAC24VDC
-145K1 +E1S	contactor/relay	1.000 L0052022	ABB BC7-30-01	Ub:19-26V;DC;Phal:3.5VA;S-el:3 H10;Us:500V;Ps:440V/5.5KW
-155A1 +E2S	rack	1.000 L0052974	ABB 05SR8261	AXODYN;483mm*416mm*283mm
-155F1 +E2S	fuse cartridge	3.000 L0755430	FEGA GMBH DIN49515-DIIGL* 10*	DII;T10A;500V
	fuse holder	1.000 L0754103	KLOECKNER-MOELLER S27/C/FORM-P	E27;3pol;25A;500V
	screwed cap	3.000 L0754600	FEGA GMBH DIN49514-DII-500	E27;25A;500V
	fuse insert	3.000 L0754730	MAINLAND GMBH DIN49516-DII*10	E27;10A
-155F2 +E2S	accessory/special fuse cartridge	1.000 L0720100 1.000 L0755800	WAGO 281-611 AWG28-12 GROSSHANDEL 30*5	800V,F.FUSES 5*20/25/30MM 5*30;MT0.2A;500V
-155F3 +E2S	filter	1.000 L0052874	MURRELEKTRONIK VG-BC6/24	1ph;24VAC24VDC
-155F4 +E2S	filter	1.000 L0052874	MURRELEKTRONIK VG-BC6/24	1ph;24VAC24VDC
-155K1 +E2S	contactor/relay	1.000 L0052022	ABB BC7-30-01	Ub:19-26V;DC;Phal:3.5VA;S-el:3 H10;Us:500V;Ps:440V/5.5KW
-155K2 +E2S	contactor/relay	1.000 L0052022	ABB BC7-30-01	Ub:19-26V;DC;Phal:3.5VA;S-el:3 H10;Us:500V;Ps:440V/5.5KW
-155T1 +E2S	transformer	1.000 L0052813	ABB DTK/T	3ph;P:1000VA;Upri:380-420Vf:50 -60Hz;Ipri:1.6A;Usek:30/65V;Is
-410D1 +E4SD	in-/output unit	1.000 L0056196	ABB 35EB90R2	PROC.T300;64 DIGIT.INPUTS,5V,0 PTO-C.
*-410U1 +E4S	signal converter	1.000 L0056115	PHOENIX UEGM-2MSTB/FLK16/LA/	DC;In:-31.2..31.2V;Out:"0":0V" 1":5V
-410U2 +E4S	signal converter	1.000 L0056115	PHOENIX UEGM-2MSTB/FLK16/LA/	DC;In:-31.2..31.2V;Out:"0":0V" 1":5V
-410U3 +E4S	signal converter	1.000 L0056115	PHOENIX UEGM-2MSTB/FLK16/LA/	DC;In:-31.2..31.2V;Out:"0":0V" 1":5V
-410U4 +E4S	signal converter	1.000 L0056115	PHOENIX UEGM-2MSTB/FLK16/LA/	DC;In:-31.2..31.2V;Out:"0":0V" 1":5V
-410U5 +E4S	signal converter	1.000 L0056115	PHOENIX UEGM-2MSTB/FLK16/LA/	DC;In:-31.2..31.2V;Out:"0":0V" 1":5V
-410U6 +E4S	signal converter	1.000 L0056115	PHOENIX UEGM-2MSTB/FLK16/LA/	DC;In:-31.2..31.2V;Out:"0":0V" 1":5V
-410U7 +E4S	signal converter	1.000 L0056115	PHOENIX UEGM-2MSTB/FLK16/LA/	DC;In:-31.2..31.2V;Out:"0":0V" 1":5V
-410U8 +E4S	signal converter	1.000 L0056115	PHOENIX UEGM-2MSTB/FLK16/LA/	DC;In:-31.2..31.2V;Out:"0":0V" 1":5V
*-411D1 +E4SD	in-/output unit	1.000 L0056196	ABB 35EB90R2	PROC.T300;64 DIGIT.INPUTS,5V,0 PTO-C.
-411U1 +E4S	signal converter	1.000 L0056115	PHOENIX UEGM-2MSTB/FLK16/LA/	DC;In:-31.2..31.2V;Out:"0":0V" 1":5V
-411U2 +E4S	signal converter	1.000 L0056115	PHOENIX UEGM-2MSTB/FLK16/LA/	DC;In:-31.2..31.2V;Out:"0":0V" 1":5V

EQUIPMENT LIST machine number: 621007un high item designation: =E

item inst.place	designation quantity part.no.	manufacturer type/order no.	technical data
-411U3 +E4S	signal converter 1.000 L0056115	PHOENIX UEGM-2MSTB/FLK16/LA/	DC; In: -31.2..31.2V; Out: "0":0V" 1":5V
-411U4 +E4S	signal converter 1.000 L0056115	PHOENIX UEGM-2MSTB/FLK16/LA/	DC; In: -31.2..31.2V; Out: "0":0V" 1":5V
-411U5 +E4S	signal converter 1.000 L0056115	PHOENIX UEGM-2MSTB/FLK16/LA/	DC; In: -31.2..31.2V; Out: "0":0V" 1":5V
-411U6 +E4S	signal converter 1.000 L0056115	PHOENIX UEGM-2MSTB/FLK16/LA/	DC; In: -31.2..31.2V; Out: "0":0V" 1":5V
-411U7 +E4S	signal converter 1.000 L0056115	PHOENIX UEGM-2MSTB/FLK16/LA/	DC; In: -31.2..31.2V; Out: "0":0V" 1":5V
-411U8 +E4S	signal converter 1.000 L0056115	PHOENIX UEGM-2MSTB/FLK16/LA/	DC; In: -31.2..31.2V; Out: "0":0V" 1":5V
-412D1 +E4SD	in-/output unit 1.000 L0056196	ABB 35EB90R2	PROC.T300;64 DIGIT.INPUTS,5V,O PTO-C.
-412U1 +E4S	signal converter 1.000 L0056115	PHOENIX UEGM-2MSTB/FLK16/LA/	DC; In: -31.2..31.2V; Out: "0":0V" 1":5V
-412U2 +E4S	signal converter 1.000 L0056115	PHOENIX UEGM-2MSTB/FLK16/LA/	DC; In: -31.2..31.2V; Out: "0":0V" 1":5V
-412U3 +E4S	signal converter 1.000 L0056115	PHOENIX UEGM-2MSTB/FLK16/LA/	DC; In: -31.2..31.2V; Out: "0":0V" 1":5V
-412U4 +E4S	signal converter 1.000 L0056115	PHOENIX UEGM-2MSTB/FLK16/LA/	DC; In: -31.2..31.2V; Out: "0":0V" 1":5V
-412U5 +E4S	signal converter 1.000 L0056115	PHOENIX UEGM-2MSTB/FLK16/LA/	DC; In: -31.2..31.2V; Out: "0":0V" 1":5V
-412U6 +E4S	signal converter 1.000 L0056115	PHOENIX UEGM-2MSTB/FLK16/LA/	DC; In: -31.2..31.2V; Out: "0":0V" 1":5V
-412U7 +E4S	signal converter 1.000 L0056115	PHOENIX UEGM-2MSTB/FLK16/LA/	DC; In: -31.2..31.2V; Out: "0":0V" 1":5V
-412U8 +E4S	signal converter 1.000 L0056115	PHOENIX UEGM-2MSTB/FLK16/LA/	DC; In: -31.2..31.2V; Out: "0":0V" 1":5V
-413D1 +E4SD	in-/output unit 1.000 L0056196	ABB 35EB90R2	PROC.T300;64 DIGIT.INPUTS,5V,O PTO-C.
-413U1 +E4S	signal converter 1.000 L0056115	PHOENIX UEGM-2MSTB/FLK16/LA/	DC; In: -31.2..31.2V; Out: "0":0V" 1":5V
-413U2 +E4S	signal converter 1.000 L0056115	PHOENIX UEGM-2MSTB/FLK16/LA/	DC; In: -31.2..31.2V; Out: "0":0V" 1":5V
-413U3 +E4S	signal converter 1.000 L0056115	PHOENIX UEGM-2MSTB/FLK16/LA/	DC; In: -31.2..31.2V; Out: "0":0V" 1":5V
-413U4 +E4S	signal converter 1.000 L0056115	PHOENIX UEGM-2MSTB/FLK16/LA/	DC; In: -31.2..31.2V; Out: "0":0V" 1":5V
-413U5 +E4S	signal converter 1.000 L0056115	PHOENIX UEGM-2MSTB/FLK16/LA/	DC; In: -31.2..31.2V; Out: "0":0V" 1":5V
-413U6 +E4S	signal converter 1.000 L0056115	PHOENIX UEGM-2MSTB/FLK16/LA/	DC; In: -31.2..31.2V; Out: "0":0V" 1":5V
-413U7 +E4S	signal converter 1.000 L0056115	PHOENIX UEGM-2MSTB/FLK16/LA/	DC; In: -31.2..31.2V; Out: "0":0V" 1":5V
-413U8 +E4S	signal converter 1.000 L0056115	PHOENIX UEGM-2MSTB/FLK16/LA/	DC; In: -31.2..31.2V; Out: "0":0V" 1":5V
-414D1 +E4SD	in-/output unit 1.000 L0056196	ABB 35EB90R2	PROC.T300;64 DIGIT.INPUTS,5V,O PTO-C.

filter: (not ("I"\$GERAET) and (SYMBOLTYP<>"7") and (SYMBOLTYP< (C) De La Rue Giori S.A.

format: GLGBNH

desig: A233HANS

dated: 16.7.1997

page:21

next page:22

EQUIPMENT LIST machine number: 621007un high item designation: =E

item inst.place	designation quantity part.no.	manufacturer type/order no.	technical data
-414U1 +E4S	signal converter 1.000 L0056115	PHOENIX UEGM-2MSTB/FLK16/LA/	DC; In: -31.2..31.2V; Out: "0":0V" 1":5V
-414U2 +E4S	signal converter 1.000 L0056115	PHOENIX UEGM-2MSTB/FLK16/LA/	DC; In: -31.2..31.2V; Out: "0":0V" 1":5V
-414U3 +E4S	signal converter 1.000 L0056115	PHOENIX UEGM-2MSTB/FLK16/LA/	DC; In: -31.2..31.2V; Out: "0":0V" 1":5V
-414U4 +E4S	signal converter 1.000 L0056115	PHOENIX UEGM-2MSTB/FLK16/LA/	DC; In: -31.2..31.2V; Out: "0":0V" 1":5V
-415D1 +E4SD	in-/output unit 1.000 L0056196	ABB 35EB90R2	PROC.T300;64 DIGIT.INPUTS,5V,0 PTO-C.
-415U3 +E4S	signal converter 1.000 L0056139	PHOENIX MCR-ADC8/U-10/S05	Ub:20-30VDC; In:0-10V/400K; Out: 8BIT/5V,8KHZ
-415U5 +E4S	signal converter 1.000 L0056139	PHOENIX MCR-ADC8/U-10/S05	Ub:20-30VDC; In:0-10V/400K; Out: 8BIT/5V,8KHZ
-415U7 +E4S	signal converter 1.000 L0056115	PHOENIX UEGM-2MSTB/FLK16/LA/	DC; In: -31.2..31.2V; Out: "0":0V" 1":5V
-415U8 +E4S	signal converter 1.000 L0056115	PHOENIX UEGM-2MSTB/FLK16/LA/	DC; In: -31.2..31.2V; Out: "0":0V" 1":5V
-416D1 +E4SD	in-/output unit 1.000 L0056196	ABB 35EB90R2	PROC.T300;64 DIGIT.INPUTS,5V,0 PTO-C.
-416U1 +E4S	signal converter 1.000 L0056115	PHOENIX UEGM-2MSTB/FLK16/LA/	DC; In: -31.2..31.2V; Out: "0":0V" 1":5V
-416U2 +E4S	signal converter 1.000 L0056115	PHOENIX UEGM-2MSTB/FLK16/LA/	DC; In: -31.2..31.2V; Out: "0":0V" 1":5V
-416U3 +E4S	signal converter 1.000 L0056115	PHOENIX UEGM-2MSTB/FLK16/LA/	DC; In: -31.2..31.2V; Out: "0":0V" 1":5V
-416U4 +E4S	signal converter 1.000 L0056115	PHOENIX UEGM-2MSTB/FLK16/LA/	DC; In: -31.2..31.2V; Out: "0":0V" 1":5V
-416U5 +E4S	signal converter 1.000 L0056115	PHOENIX UEGM-2MSTB/FLK16/LA/	DC; In: -31.2..31.2V; Out: "0":0V" 1":5V
-416U6 +E4S	signal converter 1.000 L0056115	PHOENIX UEGM-2MSTB/FLK16/LA/	DC; In: -31.2..31.2V; Out: "0":0V" 1":5V
-416U7 +E4S	signal converter 1.000 L0056115	PHOENIX UEGM-2MSTB/FLK16/LA/	DC; In: -31.2..31.2V; Out: "0":0V" 1":5V
-416U8 +E4S	signal converter 1.000 L0056115	PHOENIX UEGM-2MSTB/FLK16/LA/	DC; In: -31.2..31.2V; Out: "0":0V" 1":5V
-417D1 +E4SD	in-/output unit 1.000 L0056196	ABB 35EB90R2	PROC.T300;64 DIGIT.INPUTS,5V,0 PTO-C.
-417U1 +E4S	signal converter 1.000 L0056115	PHOENIX UEGM-2MSTB/FLK16/LA/	DC; In: -31.2..31.2V; Out: "0":0V" 1":5V
-417U2 +E4S	signal converter 1.000 L0056115	PHOENIX UEGM-2MSTB/FLK16/LA/	DC; In: -31.2..31.2V; Out: "0":0V" 1":5V
-417U3 +E4S	signal converter 1.000 L0056115	PHOENIX UEGM-2MSTB/FLK16/LA/	DC; In: -31.2..31.2V; Out: "0":0V" 1":5V
-417U4 +E4S	signal converter 1.000 L0056115	PHOENIX UEGM-2MSTB/FLK16/LA/	DC; In: -31.2..31.2V; Out: "0":0V" 1":5V
-417U5 +E4S	signal converter 1.000 L0056115	PHOENIX UEGM-2MSTB/FLK16/LA/	DC; In: -31.2..31.2V; Out: "0":0V" 1":5V
-417U6 +E4S	signal converter 1.000 L0056115	PHOENIX UEGM-2MSTB/FLK16/LA/	DC; In: -31.2..31.2V; Out: "0":0V" 1":5V

EQUIPMENT LIST		machine number: 621007un		high item designation: =E
item inst.place	designation quantity	part.no.	manufacturer type/order no.	technical data
-417U7 +E4S	signal converter 1.000	L0056115	PHOENIX UEGM-2MSTB/FLK16/LA/	DC; In: -31.2..31.2V; Out: "0":0V" 1":5V
-417U8 +E4S	signal converter 1.000	L0056115	PHOENIX UEGM-2MSTB/FLK16/LA/	DC; In: -31.2..31.2V; Out: "0":0V" 1":5V
-418D1 +E4SD	in-/output unit 1.000	L0056196	ABB 35EB90R2	PROC.T300;64 DIGIT.INPUTS,5V,C PTO-C.
-418U1 +E4S	signal converter 1.000	L0056115	PHOENIX UEGM-2MSTB/FLK16/LA/	DC; In: -31.2..31.2V; Out: "0":0V" 1":5V
-418U2 +E4S	signal converter 1.000	L0056115	PHOENIX UEGM-2MSTB/FLK16/LA/	DC; In: -31.2..31.2V; Out: "0":0V" 1":5V
-418U3 +E4S	signal converter 1.000	L0056115	PHOENIX UEGM-2MSTB/FLK16/LA/	DC; In: -31.2..31.2V; Out: "0":0V" 1":5V
-418U4 +E4S	signal converter 1.000	L0056115	PHOENIX UEGM-2MSTB/FLK16/LA/	DC; In: -31.2..31.2V; Out: "0":0V" 1":5V
-418U7 +E4S	signal converter 1.000	L0056115	PHOENIX UEGM-2MSTB/FLK16/LA/	DC; In: -31.2..31.2V; Out: "0":0V" 1":5V
* -420D1 +E4SD	in-/output unit 1.000	L0056197	ABB GJR5132200R1	PROC.T300;64DIGIT.OUTPUTS,OPTO -C.,5V
* -420K2 +E3S	contactor/relay 1.000	L0056109	PHOENIX UMK-8REL/KSR-G24/TR/	Ub:19-26V;DC;S-el:8W;Us:250V;P s:250V/4A
-420K4 +E3S	contactor/relay 1.000	L0056109	PHOENIX UMK-8REL/KSR-G24/TR/	Ub:19-26V;DC;S-el:8W;Us:250V;P s:250V/4A
-420N1 +E3S	amplifier 1.000	L0056084	BDT 84-310	Ub:24VDC; In:5V, FL.BUCHSE; Out:2 4V/0.5A, FUSE:0.6A
-420N3 +E3S	amplifier 1.000	L0056084	BDT 84-310	Ub:24VDC; In:5V, FL.BUCHSE; Out:2 4V/0.5A, FUSE:0.6A
-420N5 +E3S	amplifier 1.000	L0056083	BDT 84-031-012	Ub:24VDC; In:5V, FL-BUCHSE; Out:2 4V/0.5A, FUSE:0.6A
-420N7 +E3S	amplifier 1.000	L0056083	BDT 84-031-012	Ub:24VDC; In:5V, FL-BUCHSE; Out:2 4V/0.5A, FUSE:0.6A
-421D1 +E4SD	in-/output unit 1.000	L0056197	ABB <i>35AB90</i> GJR5132200R1	PROC.T300;64DIGIT.OUTPUTS,OPTO -C.,5V
-421N1 +E3S	amplifier 1.000	L0056083	BDT 84-031-012	Ub:24VDC; In:5V, FL-BUCHSE; Out:2 4V/0.5A, FUSE:0.6A
-421N3 +E3S	amplifier 1.000	L0056084	BDT 84-310	Ub:24VDC; In:5V, FL.BUCHSE; Out:2 4V/0.5A, FUSE:0.6A
-421N4 +E3S	amplifier 1.000	L0056084	BDT 84-310	Ub:24VDC; In:5V, FL.BUCHSE; Out:2 4V/0.5A, FUSE:0.6A
-421N5 +E3S	amplifier 1.000	L0056083	BDT 84-031-012	Ub:24VDC; In:5V, FL-BUCHSE; Out:2 4V/0.5A, FUSE:0.6A
-421N7 +E3S	amplifier 1.000	L0056083	BDT 84-031-012	Ub:24VDC; In:5V, FL-BUCHSE; Out:2 4V/0.5A, FUSE:0.6A
-422D1 +E4SD	in-/output unit 1.000	L0056197	ABB GJR5132200R1	PROC.T300;64DIGIT.OUTPUTS,OPTO -C.,5V
-422N1 +E3S	amplifier 1.000	L0056083	BDT 84-031-012	Ub:24VDC; In:5V, FL-BUCHSE; Out:2 4V/0.5A, FUSE:0.6A
-422N3 +E3S	amplifier 1.000	L0056083	BDT 84-031-012	Ub:24VDC; In:5V, FL-BUCHSE; Out:2 4V/0.5A, FUSE:0.6A
-422N5 +E3S	amplifier 1.000	L0056083	BDT 84-031-012	Ub:24VDC; In:5V, FL-BUCHSE; Out:2 4V/0.5A, FUSE:0.6A

filter: (not ("I"\$GERAET) and (SYMBOLTYP<>"7") and (SYMBOLTYP< (C) De La Rue Giori S.A.

format: GLGBNH

desig: A233HANS

dated: 16.7.1997

page:23

next page:24

EQUIPMENT LIST machine number: 621007un high item designation: =E

item inst.place	designation quantity	part.no.	manufacturer type/order no.	technical data
-422N7 +E3S	amplifier 1.000	L0056083	BDT 84-031-012	Ub:24VDC; In:5V, FL-BUCHSE; Out: 4V/0.5A, FUSE:0.6A
-423D1 +E4SD	in-/output unit 1.000	L0056197	ABB GJR5132200R1	PROC.T300;64DIGIT.OUTPUTS, OPTO-C., 5V
-423N1 +E3S	amplifier 1.000	L0056083	BDT 84-031-012	Ub:24VDC; In:5V, FL-BUCHSE; Out: 4V/0.5A, FUSE:0.6A
-423N3 +E3S	amplifier 1.000	L0056084	BDT 84-310	Ub:24VDC; In:5V, FL-BUCHSE; Out: 4V/0.5A, FUSE:0.6A
-423N4 +E3S	amplifier 1.000	L0056084	BDT 84-310	Ub:24VDC; In:5V, FL-BUCHSE; Out: 4V/0.5A, FUSE:0.6A
-423N5 +E3S	amplifier 1.000	L0056083	BDT 84-031-012	Ub:24VDC; In:5V, FL-BUCHSE; Out: 4V/0.5A, FUSE:0.6A
-423N7 +E3S	amplifier 1.000	L0056083	BDT 84-031-012	Ub:24VDC; In:5V, FL-BUCHSE; Out: 4V/0.5A, FUSE:0.6A
-424D1 +E4SD	in-/output unit 1.000	L0056197	ABB GJR5132200R1	PROC.T300;64DIGIT.OUTPUTS, OPTO-C., 5V
-424K1 +E3S	contactor/relay 1.000	L0056109	PHOENIX UMK-8REL/KSR-G24/TR/	Ub:19-26V; DC; S-el:8W; Us:250V; Ps:250V/4A
-424N2 +E3S	amplifier 1.000	L0056084	BDT 84-310	Ub:24VDC; In:5V, FL-BUCHSE; Out: 4V/0.5A, FUSE:0.6A
-424N3 +E3S	amplifier 1.000	L0056083	BDT 84-031-012	Ub:24VDC; In:5V, FL-BUCHSE; Out: 4V/0.5A, FUSE:0.6A
-424N5 +E3S	amplifier 1.000	L0056083	BDT 84-031-012	Ub:24VDC; In:5V, FL-BUCHSE; Out: 4V/0.5A, FUSE:0.6A
-424N7 +E3S	amplifier 1.000	L0056084	BDT 84-310	Ub:24VDC; In:5V, FL-BUCHSE; Out: 4V/0.5A, FUSE:0.6A
-424N8 +E3S	amplifier 1.000	L0056084	BDT 84-310	Ub:24VDC; In:5V, FL-BUCHSE; Out: 4V/0.5A, FUSE:0.6A
-425D1 +E4SD	in-/output unit 1.000	L0056197	ABB GJR5132200R1	PROC.T300;64DIGIT.OUTPUTS, OPTO-C., 5V
-425N1 +E3S	amplifier 1.000	L0056083	BDT 84-031-012	Ub:24VDC; In:5V, FL-BUCHSE; Out: 4V/0.5A, FUSE:0.6A
-425N3 +E3S	amplifier 1.000	L0056083	BDT 84-031-012	Ub:24VDC; In:5V, FL-BUCHSE; Out: 4V/0.5A, FUSE:0.6A
-425N5 +E3S	amplifier 1.000	L0056083	BDT 84-031-012	Ub:24VDC; In:5V, FL-BUCHSE; Out: 4V/0.5A, FUSE:0.6A
-425N7 +E3S	amplifier 1.000	L0056083	BDT 84-031-012	Ub:24VDC; In:5V, FL-BUCHSE; Out: 4V/0.5A, FUSE:0.6A
-450A1 +E4SD	rack 1.000	L0056190	ABB 35GS93R1	PROC.T300;426.7mm*265.9mm*244.5mm
*-450A2 +E4SD	rack 1.000	L0056178	ABB 35TP90R1	PROC.T300;20mm*233mm*166mm
-450A3 +E4SD	rack 1.000	L0056178	ABB 35TP90R1	PROC.T300;20mm*233mm*166mm
-450A4 +E4SD	rack 1.000	L0056178	ABB 35TP90R1	PROC.T300;20mm*233mm*166mm
*-450D1 +E4SD	interface/coupler 1.000	L0056158	ABB 35AC90R1	+5V, ARCNET
*-450D2 +E4SD	cpu/memory/funct.u 1.000	L0056157	ABB 35ZE94R0101	PROC.T300;PLC FOR MPST-BUS,30K BYTE, 2, 5MS/K

Down rack card for encoders

EQUIPMENT LIST		machine number: 621007un high item designation: =E		
item inst.place	designation quantity	part.no.	manufacturer type/order no.	technical data
* -450D3 +E4SD	cpu/memory/funct.u 1.000	L0056157	ABB 35ZE94R0101	PROC.T300;PLC FOR MPST-BUS, 30K BYTE, 2, 5MS/K
* -450D4 +E4SD	cpu/memory/funct.u 1.000	L0056157	ABB 35ZE94R0101	PROC.T300;PLC FOR MPST-BUS, 30K BYTE, 2, 5MS/K
* -450D5 +E4SD	cpu/memory/funct.u 1.000	L0056195	ABB 35AE92R2	PROC.T300; 4 AXIS +/-10V <i>AXIS card</i>
* -450D7 +E4SD	interface/coupler 1.000	L0056185	ABB 35EK91R1	20*233*166MM, MPST-BUS-COUPLING <i>90°</i>
* -450G1 +E4SD	mains unit 1.000	L0056191	ABB 35NE93R0001	24V;DCHz; 5V/12A, ; -12..15V/2A; 1 20kW <i>7/2V-</i>
* -450G2 +E4SD	mains unit 1.000	L0056191	ABB 35NE93R0001	24V;DCHz; 5V/12A, ; -12..15V/2A; 1 20kW
* -450R1 +E4SD	resistor 1.000	L0756702	TELEGAERTNER J01006A1373	930hm
	plug/socket 1.000	L0756703	TELEGAERTNER BU-STI-BU	1pol.
* -500A1 +E4SD	rack 1.000	L0056190	ABB 35GS93R1	PROC.T300; 426.7mm*265.9mm*244. 5mm <i>TOP Rack</i>
* -500D5 +E4SD	interface/coupler 1.000	L0056185	ABB 35EK91R1	20*233*166MM, MPST-BUS-COUPLING
	cable w. plug/socket 1.000	L0056186	ABB 35SK96R1	50x0.14mm ² ; S; 0.6m
* -500G2 +E4SD	mains unit 1.000	L0056191	ABB 35NE93R0001	24V;DCHz; 5V/12A, ; -12..15V/2A; 1 20kW
* -600D1 +E3S	cpu/memory/funct.u 1.000	L0055976	ABB 07KT93R161	ARC./CS31; 24VDC, ARCNET, 24/16BI N. IN-/OUTPUT
* -600R2 +E3S	resistor 1.000	L0058243	SPOERLE PR01	1200hm5%; 1W
* -601D1 +E3S	in-/output unit 1.000	L0055977	ABB ICDG32L1	CS31; 16IN-, 8OUT-PUTS, 0.5A, 8I/O
* -602D1 +E3S	in-/output unit 1.000	L0055977	ABB ICDG32L1	CS31; 16IN-, 8OUT-PUTS, 0.5A, 8I/O
* -603D1 +E3S	in-/output unit 1.000	L0055977	ABB ICDG32L1	CS31; 16IN-, 8OUT-PUTS, 0.5A, 8I/O
* -603R1 +E3S	resistor 1.000	L0058243	SPOERLE PR01	1200hm5%; 1W
* -700C1 +E4S	capacitor 1.000	L0058892	ROEDERSTEIN EG-4700/40	4.7µF40VDC
* -700N1 +E5S	edp/interface-acce 1.000	L0055980	ABECO ARC HUB SMC	240V50HZ, 0.25A, 8*ARCNET
* -700U1 +E4S	mains unit 1.000	L0844128	MURRELEKTRONIK MDD-85656	24V; 12VDC/0.7A; 0.0084kW
* -700U2 +E4S	mains unit 1.000	L0844128	MURRELEKTRONIK MDD-85656	24V; 12VDC/0.7A; 0.0084kW
* -700V1 +E4S	diode/semiconducto 1.000	L0720242	WAGO 280-803/281-411	US: 250V, I: 1A, 1N4007
* -700V2 +E4S	diode/semiconducto 1.000	L0720242	WAGO 280-803/281-411	US: 250V, I: 1A, 1N4007
* -700V3 +E4S	diode/semiconducto 1.000	L0720242	WAGO 280-803/281-411	US: 250V, I: 1A, 1N4007
* -700V4	diode/semiconducto		WAGO	US: 250V, I: 1A, 1N4007

EQUIPMENT LIST machine number: 621007un high item designation: =E

item inst.place	designation quantity	part.no.	manufacturer type/order no.	technical data
+E4S	1.000	L0720242	280-803/281-411	
-700V5 +E4S	diode/semiconducto 1.000	L0720242	WAGO 280-803/281-411	US: 250V, I:1A, 1N4007
-700V6 +E4S	diode/semiconducto 1.000	L0720242	WAGO 280-803/281-411	US: 250V, I:1A, 1N4007
-700V7 +E4S	diode/semiconducto 1.000	L0720242	WAGO 280-803/281-411	US: 250V, I:1A, 1N4007
-701R1 +E3S	resistor 1.000	L0756702	TELEGAERTNER J01006A1373	930hm
-701R2 +E3S	resistor 1.000	L0756702	TELEGAERTNER J01006A1373	930hm
-701R3 +E3S	resistor 1.000	L0756702	TELEGAERTNER J01006A1373	930hm
-701R4 +E3S	resistor 1.000	L0756702	TELEGAERTNER J01006A1373	930hm
* -2021aX +E4S	adapter/plug eleme 1.000	L0756648	PHOENIX FLKM-D15 SUB/S	Un:125V; In:2.5A; Ans:15
-2022aX +E4S	adapter/plug eleme 1.000	L0756648	PHOENIX FLKM-D15 SUB/S	Un:125V; In:2.5A; Ans:15
-2023aX +E4S	adapter/plug eleme 1.000	L0756648	PHOENIX FLKM-D15 SUB/S	Un:125V; In:2.5A; Ans:15
* -2025X +E2S	adapter/plug eleme 1.000	L0756647	PHOENIX FLKM-D9 SUB/S	Un:125V; In:2.5A; Ans:9
-W410 +E4SD	cable w.plug/socke 42.000	L0056176	ABB 35SK90R5	34x0.1mm2; 2.5m
	cable w.plug/socke 19.000	L0056177	BDT 54511	34x0.1mm2; 3.5m

filter: (not ("I"\$GERAET)and(SYMBOLTYP<>"7")and(SYMBOLTYP< (C) De La Rue Giori S.A.

format: GLGBNH

desig: A233HANS

dated: 16.7.1997

page:26

next page:27

EQUIPMENT LIST		machine number: 621007un high item designation: =F		
item inst.place	designation quantity part.no.	manufacturer type/order no.	technical data	
-1B1 +F	rotating pulse gen 1.000 L0053548 plug/socket 1.000 L0756370 accessory/special 1.000 L0053533	HEIDENHAIN ROD 426B-00131000RV1 HEIDENHAIN / ABB 29169705 / 505560 BALLUFF BDG-630-03	1000Imp/U;5V;DC;TTL;6mm 12pol.;30V;0.5A;0.5mm2;SCHRAUF M? D1=12 D2=3.5 L=5.5	
-1L1 +E2S	smoothing choke 1.000 L0052882	ABB GD 805	1ph;100V;8A;100mH	
-1M1 +F	motor DC 1.000 L0051710 accessory/special 1.000 L0053549 accessory/special 1.000 L0053551	ABB F9M4R+F9T ABB WAC 25-10-6 - 500933 ABB FPG 401 - 505757	Pn:0.07kW;nmax:4000min-1;Ua:22 V;Ia:6.4A;Mab:1.15Nm D1=6 D2=10 L=30 D=110MM,L=64MM,PG9	
-1N1 +E2S	speed controller 1.000 L0052973	ABB 05SM8123-95	Un:95 (40-95)Vf:DCHz;Ua:-70/+7 0VDC;Ia:12A;Pn:2.1kW	
-5B1 +F	proximity switch 1.000 L0752957	BALLUFF BES516-356-S4C	0-3.2mm;10-30V;DC;PNP;0.4kHz	
-5B2 +F	proximity switch 1.000 L0752959	BALLUFF BES516-3019-S4C	0-3.2mm;10-30V;DC;PNP;0.4kHz	
-5B3 +F	proximity switch 1.000 L0752959	BALLUFF BES516-3019-S4C	0-3.2mm;10-30V;DC;PNP;0.4kHz	
-5B4 +F	proximity switch 1.000 L0752957	BALLUFF BES516-356-S4C	0-3.2mm;10-30V;DC;PNP;0.4kHz	
-5X1 +F	adapter/plug eleme 1.000 L0725322 plug/socket 4.000 L0752977	MURRELEKTRONIK MVSS-J-276047 MURRELEKTRONIK 27625	Un:24V;In:2 (50VA)A;Ans:4+1 5pol.;250V;3A;0.75mm2	
-10B1 +F	1.000 im LVS-X			
-10X1 +F	adapter/plug eleme 1.000 L0725322 plug/socket 4.000 L0752977	MURRELEKTRONIK MVSS-J-276047 MURRELEKTRONIK 27625	Un:24V;In:2 (50VA)A;Ans:4+1 5pol.;250V;3A;0.75mm2	
-25A1 +E1S	rack 1.000 L0720880	LUETZE MPE-9	45mm*77mm*45mm	
-25A2 +E1S	rack 1.000 L0720880	LUETZE MPE-9	45mm*77mm*45mm	
-25F1 +E1S	fuse cartridge 2.000 L0755410 accessory/special 1.000 L0754157 screwed cap 2.000 L0754600 fuse insert 2.000 L0754700 fuse holder 1.000 L0754156	MAINLAND GMBH DIN49515-DIIGL* 4* RITTAL SV3428 FEGA GMBH DIN49514-DII-500 - DIN49516-DII* 2 RITTAL SV3427	DII;T4A;500V E27,3POL,42*230MM,F.SV3427 E27;25A;500V E27;2A E27;3pol;25A;500V	
-25F2 +E1S	automatic fuse 1.000 L0057864 accessory/special 1.000 L0057860	ABB GHS271-K16 ABB S2-H11	1pol;K;16A;440V;60VDC 5VA MIN BEI 24V / 1S10	
-25F3 +E1S	filter 1.000 L0052873	MURRELEKTRONIK LG-B30	1ph;24VDC10A;0.24kW	
-25F4 +E1S	filter 1.000 L0052873	MURRELEKTRONIK LG-B30	1ph;24VDC10A;0.24kW	
-25K1	contactor/relay	ABB	Ub:24V;DC;Phal:7VA;S-el:3H2S20	

filter: (not ("I"\$GERAET) and (SYMBOLTYP<>"7") and (SYMBOLTYP< (C) De La Rue Giori S.A.

format: GLGBNH

desig: A233HANS

dated: 16.7.1997

page:27

next page:28

EQUIPMENT LIST		machine number: 621007un		high item designation: =F
item	designation	manufacturer	technical data	
inst.place	quantity part.no.	type/order no.		
+E1S	1.000 L0052011	BC18-30-22	;Us:415V;Ps:400V/16A	
-25K2	contactor/relay	ABB	Ub:24V;DC;Phal:7VA;S-el:3H2S2C	
+E1S	1.000 L0052011	BC18-30-22	;Us:415V;Ps:400V/16A	
✓ -25M1	accessory/special	PREMAG	12VDC, 240W, 6-20A, IP54, 60°C	
+F	1.000 L0051390	MPD6405300		
-25T1	transformer	RATHGEBER	1ph;P:500VA;Upri:0-460Vf:50/60	
+E1S	1.000 L0052713	ET320	Hz;Ipri:1.32A;Usek:0-13.3V;Ise	
-25V1	rectifier	SEMIKRON	1ph;Un:300V;In:21.0A;Uss:800V	
+E1S	1.000 L0052633	SKB30/08A1		
* -25Z1	filter	RIFA	1ph;250VAC630VDC0.22kOhm/0.25u	
+E1S	1.000 L0058790	PMR202MD6250M220	F	
-25Z2	filter	RIFA	1ph;250VAC630VDC0.22kOhm/0.25u	
+E1S	1.000 L0058790	PMR202MD6250M220	F	
-25Z3	filter	RIFA	1ph;250VAC630VDC0.22kOhm/0.25u	
+E1S	1.000 L0058790	PMR202MD6250M220	F	
-25Z4	filter	RIFA	1ph;250VAC630VDC0.22kOhm/0.25u	
+E1S	1.000 L0058790	PMR202MD6250M220	F	
-25Z5	filter	RIFA	1ph;250VAC630VDC0.22kOhm/0.25u	
+E1S	1.000 L0058790	PMR202MD6250M220	F	
-30B1	proximity switch	IFM ELECTRONIC	0-2mm;10-36V;DC;PNP;0.8kHz	
+F	1.000 L0752895	IS-3002-BPOG+AS-510T		
-30B2	proximity switch	IFM ELECTRONIC	0-8mm;10-55V;DC;0.2kHz	
+F	1.000 L0752922	IG-5401-IG3008BPKG10		
-30B3	proximity switch	BALLUFF	0-3.2mm;10-30V;DC;PNP;0.4kHz	
+F	1.000 L0752957	BES516-356-S4C		
-30B4	photosensor	WENGLOR SENSORIC	0- 3500;10-30VDC;PNP;0.6kHz	
+F	1.000 L0053394	LW86PCV3	317mm	
-35B1	proximity switch	IFM ELECTRONIC	0-2mm;10-36V;DC;PNP;0.8kHz	
+F	1.000 L0752895	IS-3002-BPOG+AS-510T		
-35B2	photosensor	WENGLOR SENSORIC	0- 3500;10-30VDC;PNP;0.6kHz	
+F	1.000 L0053394	LW86PCV3		
-40S1	limit/posit.switch	SCHMERSAL	230VAC;4A	
+F	1.000 L0752641	AZ15ZVRK		
	accessory/special	SCHMERSAL	56*28*16MM	
	1.000 L0752642	B1		
-50Y3	solenoid valve	FESTO	24VUC, 4.5W, ED:100%, IP65	
+F	1.000 L2670582	MSFG-24-4527		
	solenoid valve	FESTO	100%	
	1.000 L2670753	MFH-5-1/8 9982		
-55V1	solid state relay	BDT	Ub:24Vf:DCHz;Us:24VIs:4A	
+E3S	1.000 L0056085	84-270		
-55V2	solid state relay	BDT	Ub:24Vf:DCHz;Us:24VIs:4A	
+E3S	1.000 L0056085	84-270		
-55X1	adapter/plug eleme	MURRELEKTRONIK	Un:24V;In:2 (50VA)A;Ans:8+1	
+F	1.000 L0851090	MVSS-AS-276208		
	plug/socket	MURRELEKTRONIK	5pol.;250V;3A;0.75mm ² ;M12	
	8.000 L0752978	27635		
-55Y1				
+F	1.000 L6698631			
-55Y2				
+F	1.000 L6698631			

EQUIPMENT LIST machine number: 621007un high item designation: =F

item inst.place	designation quantity	part.no.	manufacturer type/order no.	technical data
-55Y3 +F	solenoid valve 1.000	L0059114	FESTO MSFG-24-OD-34411	24VUC, 4.5W, ED:100%, IP65
-90N1 +E3S	amplifier 1.000	L0053869	BOESER ODER HBM MVD2555	Ub:207-243VAC; f:50/60Hz; In:0.5 MV...1V; Out: +/- 0-10V
-90R1 +F	1.000	L6696860		

filter: (not ("I"\$GERAET) and (SYMBOLTYP<>"7") and (SYMBOLTYP< (C) De La Rue Giori S.A.

format: GLGBNH

desig: A233HANS

dated: 16.7.1997

page:29

next page:30

EQUIPMENT LIST		machine number: 621007un		high item designation: =G	
item	designation	manufacturer	technical data		
inst.place	quantity	part.no.	type/order no.		
-1A1 +G	1.000	L6643810			
-1A1-2C1 +G	1.000	H00000			
-1A1-2C2 +G	1.000	H00000			
-1A1-2R1 +G	1.000	H00000			
-1A1-2R2 +G	1.000	H00000			
-1A1-20S2 +G	1.000	H00000			
-1A1-K1 +G	1.000	H00000			
-1A1-K2 +G	1.000	H00000			
-1A1-S3 +G	1.000	H00000			
-1F1 +E1S	prot.motor switch 1.000 L0057714	KLOECKNER-MOELLER PKZM1-1	0.6-1A;690V		
	accessory/special 1.000 L0057723	KLOECKNER-MOELLER NHI11-PKZM1	UE:500V,AMAX.6,1S10,AQ:2.5		
-1F2 +E1S	filter 1.000 L0052874	MURRELEKTRONIK VG-BC6/24	1ph;24VAC24VDC		
-1K1 +E1S	contactor/relay 1.000 L0052022	ABB BC7-30-01	Ub:19-26V;DC;Phal:3.5VA;S-el:3 H10;Us:500V;Ps:440V/5.5KW		
-1K2 +E1S 4	contactor/relay 1.000 L0052512	WAGO 286-304/002-000	Ub:24V;DC;Phal:0.53VA;S-el:1W; Us:250V;Ps:250V/7A		
	accessory/special 1.000 L0720097	WAGO 280-609	2*6POLS 0.08-2.5MM2		
-5A1 +DT15	front panel 1.000 L0066510	KBA O.Z.	DT15		
-5A1-H17 +DT15	signal lamp/holder 1.000 L0751777	ELAN EMLH ROT	24V;UC;2W;BA9S		
	signal lamp/holder 1.000 L0751784	ELAN EL 0280190	250V;UC;BA9S		
	bulb/led 1.000 L0752327	BARTHELME KRI/23	BA9S;30V;2W		
-5A1-S11 +DT15	switch/knob button 1.000 L0751805	ELAN EDT KB	22.5		
	contact element 1.000 L0751781	ELAN EF103.1	22.5;230VAC;10A		
	shield 1.000 L0840999	ELAN E-KB-9.1	d:18.9mm		
-5A1-S12 +DT15	switch/knob button 1.000 L0751727	ELAN EDL WS KB	22.5		
	signal lamp/holder 1.000 L0751784	ELAN EL 0280190	250V;UC;BA9S		
	contact element 1.000 L0751781	ELAN EF103.1	22.5;230VAC;10A		
	bulb/led 1.000 L0752327	BARTHELME KRI/23	BA9S;30V;2W		
	shield 1.000 L0841274	ELAN E-KB-9.0	d:18.9mm		
-5A1-S13 +DT15	switch/knob button 1.000 L0751708	ELAN EWS32,1KB__3STELLIG	22.5		
	contact element 1.000 L0751708	ELAN	22.5;230VAC;10A		

filter: (not ("I"\$GERAET) and (SYMBOLTYP<>"7") and (SYMBOLTYP< (C) De La Rue Giori S.A.

format: GLGBNH

desig: A233HANS

dated: 16.7.1997

page:30

next page:31

EQUIPMENT LIST		machine number: 621007un		high item designation: =G
item inst.place	designation quantity part.no.	manufacturer type/order no.	technical data	
	1.000 L0751781 shield	EF103.1 ELAN	d:18.9mm	
	1.000 L0840999 contact element	E-KB-9.1 ELAN	22.5;230VAC;10A	
	1.000 L0751782	EF103.2		
-5A1-S14 +DT15	switch/knob button	ELAN	22.5	
	1.000 L0751825	EDS13-0270625		
	contact element	ELAN	22.5;230VAC;10A	
	1.000 L0751781 shield	EF103.1 BRAUNE	d:22.5mm	
	1.000 L0852361	-		
-5A1-S15 +DT15	contact element	ELAN	22.5;230VAC;10A	
	1.000 L0751781	EF103.1		
	switch/knob button	ELAN	22.5	
	1.000 L0751805	EDT KB		
	shield	ELAN	d:18.9mm	
	1.000 L0840999	E-KB-9.1		
-5A1-S16 +DT15	contact element	ELAN	22.5;400VAC;6A	
	1.000 L0751738	EF110.1		
	switch/knob button	ELAN	22.5	
	1.000 L0751779	EDR35ROTKB		
-5A1-S18 +DT15	switch/knob button	ELAN	22.5	
	1.000 L0751805	EDT KB		
	contact element	ELAN	22.5;230VAC;10A	
	1.000 L0751781 shield	EF103.1 ELAN	d:18.9mm	
	1.000 L0840999	E-KB-9.1		
-10B1 +G	proximity switch	IFM ELECTRONIC	0-4mm;10-55V;DC;NPN;2kHz	
	1.000 L0752914	IN-5016-X8901		
-10B4 +G	magnetic switch	BALLUFF	10-30VDC;0.02kHz	
	1.000 L0752980	BMF 32M-NS-C2-S49		
-10B5 +G	photosensor	WENGLOR SENSORIC	35- 100;10-30VDC;0.6kHz	
	1.000 L0053392	HW11PC3		
	cable w.plug/socket	BALLUFF	4x0.25mm ² ;10m	
	1.000 L0752938	BKS-S19-3PU-10	35 to 100 mm	
-10K1 +E3S	timing unit	BALLUFF	UB=UE=UA=10...30VDC, IA: <=130MA	
	1.000 L0052328	BES516-IV2	;17.5mm*90mm*58mm	
-10X1 +G	adapter/plug eleme	MURRELEKTRONIK	Un:24V;In:2 (50VA)A;Ans:8+1	
	1.000 L0851090	MVSS-AS-276208		
	plug/socket	MURRELEKTRONIK	5pol.;250V;3A;0.75mm ²	
	8.000 L0752977	27625		
-10Y1 +G	solenoid valve	FESTO	24VUC, 4.5W, ED:100%, IP65	
	1.000 L0059114	MSFG-24-OD-34411		
-15B1 +G	proximity switch	IFM ELECTRONIC	0-2mm;10-36V;DC;PNP;0.8kHz	
	1.000 L0752895	IS-3002-BPOG+AS-510T		
-15B2 +G	proximity switch	IFM ELECTRONIC	0-2mm;10-36V;DC;PNP;0.8kHz	
	1.000 L0752895	IS-3002-BPOG+AS-510T		
-15X1 +G	adapter/plug eleme	MURRELEKTRONIK	Un:24V;In:2 (50VA)A;Ans:8+1	
	1.000 L0851090	MVSS-AS-276208		
	plug/socket	MURRELEKTRONIK	5pol.;250V;3A;0.75mm ²	
	8.000 L0752977	27625		
-16B1 +G	photosensor	WENGLOR SENSORIC	35- 100;10-30VDC;0.6kHz	
	1.000 L0053396	HD11VC3		
-16S1 +G	accessory/special	HONEYWELL	PG9, 53.5*24.5*21MM	
	1.000 L0752807	5PA-PG9-1		
	limit/posit.switch	HONEYWELL	380VAC;15A	
	1.000 L0752804	BZ-2RW 855-A2		
-16S2	accessory/special	HONEYWELL	PG9, 53.5*24.5*21MM	

filter: (not ("I"\$GERAET) and (SYMBOLTYP<>"7") and (SYMBOLTYP< (C) De La Rue Giori S.A.

EQUIPMENT LIST		machine number: 621007un high item designation: =G		
item inst.place	designation quantity part.no.	manufacturer type/order no.	technical data	
+G	1.000 L0752807 limit/posit.switch	5PA-PG9-1 HONEYWELL	380VAC;15A	
	1.000 L0752804	BZ-2RW 855-A2		
-16X1 +G	adapter/plug eleme 1.000 L0851090 plug/socket 8.000 L0752977	MURRELEKTRONIK MVSS-AS-276208 MURRELEKTRONIK 27625	Un:24V;In:2	(50VA)A;Ans:8+1
			5pol.;250V;3A;0.75mm2	
-20S1 +G	accessory/special 1.000 L0752807 limit/posit.switch 1.000 L0752801	HONEYWELL 5PA-PG9-1 HONEYWELL BZ-2RW 82255-A2	PG9,53.5*24.5*21MM	380VAC;15A
-20S2 +G	accessory/special 1.000 L0752807 limit/posit.switch 1.000 L0752801	HONEYWELL 5PA-PG9-1 HONEYWELL BZ-2RW 82255-A2	PG9,53.5*24.5*21MM	380VAC;15A
-25B1 +G	photosensor 1.000 L0053467	DATALOGIC TL80-021L	103573	28;10-30VDC;PNP;3kHz
-25B2 +G	photosensor 1.000 L0053392	WENGLOR SENSORIC HW11PC3		35- 100;10-30VDC;0.6kHz
-25K1 +E3S	timing unit 1.000 L0052328	BALLUFF BES516-IV2		UB=UE=UA=10...30VDC, IA:<=130MA ;17.5mm*90mm*58mm
-35B1 +G	magnetic switch 1.000 L0752980	BALLUFF BMF 32M-NS-C2-S49		10-30VDC;0.02kHz
-35B2 +G	magnetic switch 1.000 L0752980	BALLUFF BMF 32M-NS-C2-S49		10-30VDC;0.02kHz
-35B3 +G	magnetic switch 1.000 L0752980	BALLUFF BMF 32M-NS-C2-S49		10-30VDC;0.02kHz
-35B4 +G	magnetic switch 1.000 L0752980	BALLUFF BMF 32M-NS-C2-S49		10-30VDC;0.02kHz
-35B5 +G	magnetic switch 1.000 L0752980	BALLUFF BMF 32M-NS-C2-S49		10-30VDC;0.02kHz
-35X1 +G	adapter/plug eleme 1.000 L0725322 plug/socket 4.000 L0752978	MURRELEKTRONIK MVSS-J-276047 MURRELEKTRONIK 27635	Un:24V;In:2	(50VA)A;Ans:4+1
			5pol.;250V;3A;0.75mm2;M12	
-35X2 +G	adapter/plug eleme 1.000 L0725322 plug/socket 4.000 L0752978	MURRELEKTRONIK MVSS-J-276047 MURRELEKTRONIK 27635	Un:24V;In:2	(50VA)A;Ans:4+1
			5pol.;250V;3A;0.75mm2;M12	
-40B1 +G	magnetic switch 1.000 L0752980	BALLUFF BMF 32M-NS-C2-S49		10-30VDC;0.02kHz
-40B2 +G	magnetic switch 1.000 L0752980	BALLUFF BMF 32M-NS-C2-S49		10-30VDC;0.02kHz
-40B3 +G	magnetic switch 1.000 L0752980	BALLUFF BMF 32M-NS-C2-S49		10-30VDC;0.02kHz
-40B4 +G	magnetic switch 1.000 L0752980	BALLUFF BMF 32M-NS-C2-S49		10-30VDC;0.02kHz
-40B5 +G	magnetic switch 1.000 L0752980	BALLUFF BMF 32M-NS-C2-S49		10-30VDC;0.02kHz
-40B6 +G	photosensor 1.000 L0053396	WENGLOR SENSORIC HD11VC3		35- 100;10-30VDC;0.6kHz
-40X1 +G	adapter/plug eleme 1.000 L0725322 plug/socket	MURRELEKTRONIK MVSS-J-276047 MURRELEKTRONIK	Un:24V;In:2	(50VA)A;Ans:4+1
			5pol.;250V;3A;0.75mm2;M12	

filter: (not ("I"\$GERAET) and (SYMBOLTYP<>"7") and (SYMBOLTYP< (C) De La Rue Giori S.A.

format: GLGBNH

desig: A233HANS

dated: 16.7.1997

page:32

next page:33

EQUIPMENT LIST		machine number: 621007un high item designation: =G			
item inst.place	designation quantity part.no.	manufacturer type/order no.	technical data		
	4.000 L0752978	27635			
-45X1 +G	adapter/plug eleme 1.000 L0851090 plug/socket 8.000 L0752977	MURRELEKTRONIK MVSS-AS-276208 MURRELEKTRONIK 27625	Un:24V; In:2 (50VA) A; Ans:8+1 5pol.; 250V; 3A; 0.75mm2		
-45Y1 +G	solenoid valve 1.000 L0059114	FESTO MSFG-24-OD-34411	24VUC, 4.5W, ED:100%, IP65		
-45Y2 +G	solenoid valve 1.000 L0059114	FESTO MSFG-24-OD-34411	24VUC, 4.5W, ED:100%, IP65		
-45Y3 +G	solenoid valve 1.000 L0059114	FESTO MSFG-24-OD-34411	24VUC, 4.5W, ED:100%, IP65		
-45Y4 +G	solenoid valve 1.000 L0059114	FESTO MSFG-24-OD-34411	24VUC, 4.5W, ED:100%, IP65		
-45Y5 +G	solenoid valve 1.000 L0059114	FESTO MSFG-24-OD-34411	24VUC, 4.5W, ED:100%, IP65		
-45Y6 +G	solenoid valve 1.000 L0059114	FESTO MSFG-24-OD-34411	24VUC, 4.5W, ED:100%, IP65		
-45Y7 +G	solenoid valve 1.000 L0059114	FESTO MSFG-24-OD-34411	24VUC, 4.5W, ED:100%, IP65		
-45Y8 +G	solenoid valve 1.000 L0059114	FESTO MSFG-24-OD-34411	24VUC, 4.5W, ED:100%, IP65		
-46X1 +G	adapter/plug eleme 1.000 L0851090 plug/socket 8.000 L0752977	MURRELEKTRONIK MVSS-AS-276208 MURRELEKTRONIK 27625	Un:24V; In:2 (50VA) A; Ans:8+1 5pol.; 250V; 3A; 0.75mm2		
-46Y1 +G	solenoid valve 1.000 L0059114	FESTO MSFG-24-OD-34411	24VUC, 4.5W, ED:100%, IP65		
-46Y2 +G	solenoid valve 1.000 L0059114	FESTO MSFG-24-OD-34411	24VUC, 4.5W, ED:100%, IP65		
-46Y3 +G	solenoid valve 1.000 L0059114	FESTO MSFG-24-OD-34411	24VUC, 4.5W, ED:100%, IP65		
-46Y4 +G	solenoid valve 1.000 L0059114	FESTO MSFG-24-OD-34411	24VUC, 4.5W, ED:100%, IP65		
-46Y5 +G	solenoid valve 1.000 L0059114	FESTO MSFG-24-OD-34411	24VUC, 4.5W, ED:100%, IP65		
-46Y6 +G	solenoid valve 1.000 L0059114	FESTO MSFG-24-OD-34411	24VUC, 4.5W, ED:100%, IP65		
-46Y7 +G	solenoid valve 1.000 L0059114	FESTO MSFG-24-OD-34411	24VUC, 4.5W, ED:100%, IP65		
-46Y8 +G	solenoid valve 1.000 L0059114	FESTO MSFG-24-OD-34411	24VUC, 4.5W, ED:100%, IP65		
-47X1 +G	adapter/plug eleme 1.000 L0851090 plug/socket 6.000 L0752977 cable seal 2.000 L0752976	MURRELEKTRONIK MVSS-AS-276208 MURRELEKTRONIK 27625 MURRELEKTRONIK MVS	Un:24V; In:2 (50VA) A; Ans:8+1 5pol.; 250V; 3A; 0.75mm2 M12		
-47Y1 +G	solenoid valve 1.000 L0059114	FESTO MSFG-24-OD-34411	24VUC, 4.5W, ED:100%, IP65		
-47Y2 +G	solenoid valve 1.000 L0059114	FESTO MSFG-24-OD-34411	24VUC, 4.5W, ED:100%, IP65		
-47Y3	solenoid valve	FESTO	24VUC, 4.5W, ED:100%, IP65		
filter: (not ("I"\$GERAET) and (SYMBOLTYP<>"7") and (SYMBOLTYP<			(C) De La Rue Giori S.A.		
format: GLGBNH		desig: A233HANS	dated: 16.7.1997	page:33	next page:34

EQUIPMENT LIST		machine number: 621007un high item designation: =G		
item	designation	manufacturer	technical data	
inst.place	quantity part.no.	type/order no.		
+G	1.000 L0059114	MSFG-24-OD-34411		
-47Y4	solenoid valve	FESTO	24VUC, 4.5W, ED:100%, IP65	
+G	1.000 L0059114	MSFG-24-OD-34411		
-50Y1	solenoid valve	FESTO	24VUC, 4.5W, ED:100%, IP65	
+G	2.000 L0059114	MSFG-24-OD-34411		
-50Y3	solenoid valve	FESTO	24VUC, 4.5W, ED:100%, IP65	
+G	1.000 L0059114	MSFG-24-OD-34411		
-55B1	shaft encoder	HENGSTLER	360S/U;GRAY-EX-Code;10-30V;DC;	
+G	1.000 L0053773	RA58-S/0360EK.32KDPG	NPN	
	cable w.plug/socke	HENGSTLER	10/2x0.14/0.5mm ² ;30m	
	1.000 L0756416	1540122		
-55D1	cpu/memory/funct.u	BDT	PROC.T300;64 CHANNELS, FOR L00	
+E4SD	1.000 L0056076	35TP90	56178	
-55P1	digital display	BDT	Dis:LCD;Ub:24V;Awert:9999;In:B	
+E4SD	1.000 L0056075	84-240	CD-CODE	
-60A1				
+DT7	1.000 L0066228			
-60A1-H17	signal lamp/holder	ELAN	24V;UC;2W;BA9S	
+DT7	1.000 L0751777	EMLH ROT		
	signal lamp/holder	ELAN	250V;UC;BA9S	
	1.000 L0751784	EL 0280190		
	bulb/led	BARTHELME	BA9S;30V;2W	
	1.000 L0752327	KRI/23		
-60A1-S11	switch/knob button	ELAN	22.5	
+DT7	1.000 L0751719	EDRR40RT+EFR		
	shield	ELAN	d:22.5mm	
	1.000 L0751767	MDP-8		
	contact element	ELAN	22.5;400VAC;4A	
	1.000 L0751742	EF220.1		
-60A1-S12	switch/knob button	ELAN	22.5	
+DT7	1.000 L0751805	EDT KB		
	contact element	ELAN	22.5;230VAC;10A	
	1.000 L0751781	EF103.1		
	shield	ELAN	d:18.9mm	
	1.000 L0840999	E-KB-9.1		
-60A1-S13	switch/knob button	ELAN	22.5	
+DT7	1.000 L0751705	EWS21,1KB 2STELLIG		
	contact element	ELAN	22.5;230VAC;10A	
	1.000 L0751781	EF103.1		
	shield	ELAN	d:18.9mm	
	1.000 L0840999	E-KB-9.1		
-60A1-S14	switch/knob button	ELAN	22.5	
+DT7	1.000 L0751824	EDS14-0270630		
	contact element	ELAN	22.5;230VAC;10A	
	1.000 L0751781	EF103.1		
-60A1-S15	switch/knob button	ELAN	22.5	
+DT7	1.000 L0751805	EDT KB		
	contact element	ELAN	22.5;230VAC;10A	
	1.000 L0751781	EF103.1		
	shield	ELAN	d:18.9mm	
	1.000 L0840999	E-KB-9.1		
-60A1-S16	contact element	ELAN	22.5;400VAC;6A	
+DT7	1.000 L0751738	EF110.1		
	switch/knob button	ELAN	22.5	
	1.000 L0751779	EDR35ROTKB		
-60A1-S18	switch/knob button	ELAN	22.5	
+DT7	1.000 L0751805	EDT KB		
	contact element	ELAN	22.5;230VAC;10A	
	1.000 L0751781	EF103.1		

filter: (not ("I"\$GERAET) and (SYMBOLTYP<>"7") and (SYMBOLTYP< (C) De La Rue Giori S.A.

format: GLGBNH

desig: A233HANS

dated: 16.7.1997

page:34

next page:35

EQUIPMENT LIST		machine number: 621007un high item designation: =G		
item inst.place	designation quantity part.no.	manufacturer type/order no.	technical data	
	shield 1.000 L0840999	ELAN E-KB-9.1	d:18.9mm	
-70A1 +DT8	1.000 L0066229			
-70A1-H17 +DT8	signal lamp/holder 1.000 L0751777	ELAN EMLH ROT	24V;UC;2W;BA9S	
	signal lamp/holder 1.000 L0751784	ELAN EL 0280190	250V;UC;BA9S	
	bulb/led 1.000 L0752327	BARTHELME KRI/23	BA9S;30V;2W	
-70A1-S11 +DT8	switch/knob button 1.000 L0751719	ELAN EDRR40RT+EFR	22.5	
	shield 1.000 L0751767	ELAN MDP-8	d:22.5mm	
	contact element 1.000 L0751742	ELAN EF220.1	22.5;400VAC;4A	
-70A1-S12 +DT8	switch/knob button 1.000 L0751805	ELAN EDT KB	22.5	
	contact element 1.000 L0751781	ELAN EF103.1	22.5;230VAC;10A	
	shield 1.000 L0840999	ELAN E-KB-9.1	d:18.9mm	
-70A1-S15 +DT8	switch/knob button 1.000 L0751805	ELAN EDT KB	22.5	
	contact element 1.000 L0751781	ELAN EF103.1	22.5;230VAC;10A	
	shield 1.000 L0840999	ELAN E-KB-9.1	d:18.9mm	
-70A1-S16 +DT8	contact element 1.000 L0751738	ELAN EF110.1	22.5;400VAC;6A	
	switch/knob button 1.000 L0751779	ELAN EDR35ROTKB	22.5	
-70A1-S18 +DT8	switch/knob button 1.000 L0751805	ELAN EDT KB	22.5	
	contact element 1.000 L0751781	ELAN EF103.1	22.5;230VAC;10A	
	shield 1.000 L0840999	ELAN E-KB-9.1	d:18.9mm	
-100F1 +E1S	prot.motor switch 1.000 L0057715	KLOECKNER-MOELLER PKZM1-1,6	1-1.6A;690V	
	accessory/special 1.000 L0057723	KLOECKNER-MOELLER NHI11-PKZM1	UE:500V,AMAX.6,1S10,AQ:2.5	
-100F2 +E1S	filter 1.000 L0052874	MURRELEKTRONIK VG-BC6/24	1ph;24VAC24VDC	
-100K1 +E1S	contactor/relay 1.000 L0052022	ABB BC7-30-01	Ub:19-26V;DC;Phal:3.5VA;S-el:3 H10;Us:500V;Ps:440V/5.5KW	
-100M1 +G	pump unit 1.000 L0053311	VOGEL 143012153/WAC71N4	400V;50/60Hz;1.1A;0.37kW;150l/h	
-100S1 +G	pressure switch 1.000 L0778610	VOGEL P66S012M	12bar;250V;250VA	
-100V1 +E3S	solid state relay 1.000 L0056085	BDT 84-270	Ub:24Vf:DCHz;Us:24VIs:4A	
-100Y1 +G	magnet 1.000 L0059010	THOMA MAGNETTECHNIK GHB709301B2100	24VDC;1.37A;15;25N	
-102B1 +G	shaft encoder 1.000 L0053773	HENGSTLER RA58-S/0360EK.32KDPG	360S/U;GRAY-EX-Code;10-30V;DC; NPN	
	cable w.plug/socke 1.000 L0756416	HENGSTLER 1540122	10/2x0.14/0.5mm2;30m	

filter: (not ("I"\$GERAET) and (SYMBOLTYP<>"7") and (SYMBOLTYP< (C) De La Rue Giori S.A.

format: GLGBNH

desig: A233HANS

dated: 16.7.1997

page:35

next page:36

EQUIPMENT LIST machine number: 621007un high item designation: =G

item	designation	manufacturer	technical data
inst.place	quantity	part.no.	type/order no.
-102D1 +E4SD	cpu/memory/funct.u 1.000 L0056076	BDT 35TP90	PROC.T300;64 CHANNELS, FOR L00 56178
*-102P1 +E4SD	digital display 1.000 L0056075	BDT 84-240	Dis:LCD;Ub:24V;Awert:9999;In:B CD-CODE

filter: (not ("I"\$GERAET) and (SYMBOLTYP<>"7") and (SYMBOLTYP< (C) De La Rue Giori S.A.

format: GLGBNH

desig: A233HANS

dated: 16.7.1997

page:36

next page:37

EQUIPMENT LIST		machine number: 621007un high item designation: =H		
item inst.place	designation quantity part.no.	manufacturer type/order no.	technical data	
-1F1 +E1S	prot.motor switch 1.000 L0057722 accessory/special 1.000 L0057723	KLOECKNER-MOELLER PKZM1-25 KLOECKNER-MOELLER NHI11-PKZM1	20-25A;690V UE:500V,AMAX.6,1S10,AQ:2.5	
-1F2 +E1S	fuse cartridge 3.000 L0755480 accessory/special 1.000 L0754167 screwed cap 3.000 L0754610 fuse insert 3.000 L0754780 fuse holder 1.000 L0754166	FEGA GMBH DIN49515-DIIIGL* 35* RITTAL SV3434 D. BORDT GMBH DIN49514-DIII-500 MAINLAND GMBH DIN49516-DIII*35 RITTAL SV3433	DIII;T35A;500V E33,57*230*5MM,F.SV3433 E33;63A;500V E33;35A E33;3pol;63A;660V	
-1F3 +E1S	filter 1.000 L0052873	MURRELEKTRONIK LG-B30	1ph;24VDC10A;0.24kW	
-1F4 +E1S	filter 1.000 L0052873	MURRELEKTRONIK LG-B30	1ph;24VDC10A;0.24kW	
-1F5 +E1S	filter 1.000 L0052873	MURRELEKTRONIK LG-B30	1ph;24VDC10A;0.24kW	
-1K1 +E1S	contactor/relay 1.000 L0052011	ABB BC18-30-22	Ub:24V;DC;Phal:7VA;S-el:3H2S20 ;Us:415V;Ps:400V/16A	
-1K2 +E1S	contactor/relay 1.000 L0052011	ABB BC18-30-22	Ub:24V;DC;Phal:7VA;S-el:3H2S20 ;Us:415V;Ps:400V/16A	
-1K3 +E1S	contactor/relay 1.000 L0052011	ABB BC18-30-22	Ub:24V;DC;Phal:7VA;S-el:3H2S20 ;Us:415V;Ps:400V/16A	
-1M1 +H	1.000 L-415V			
-5F1 +E1S	prot.motor switch 1.000 L0057715 accessory/special 1.000 L0057723	KLOECKNER-MOELLER PKZM1-1,6 KLOECKNER-MOELLER NHI11-PKZM1	1-1.6A;690V UE:500V,AMAX.6,1S10,AQ:2.5	
-5F2 +E1S	fuse cartridge 1.000 L0755470 accessory/special 1.000 L0754157 screwed cap 3.000 L0754600 fuse insert 3.000 L0754770 fuse holder 1.000 L0754156	MAINLAND GMBH DIN49515-DIIGL* 25* RITTAL SV3428 FEGA GMBH DIN49514-DII-500 DITHA GMBH DIN49516-DII*25 RITTAL SV3427	DII;T25A;500V E27,3POL,42*230MM,F.SV3427 E27;25A;500V E27;25A E27;3pol;25A;500V	
-5F3 +E1S	filter 1.000 L0052874	MURRELEKTRONIK VG-BC6/24	1ph;24VAC24VDC	
-5K1 +E1S	contactor/relay 1.000 L0052022	ABB BC7-30-01	Ub:19-26V;DC;Phal:3.5VA;S-el:3 H10;Us:500V;Ps:440V/5.5KW	
-5M1 +H	1.000 L-415V			
*-10S1 +H	<i>Press. switch</i> 1.000 L6645950			
-10S2 +H	<i> </i> 1.000 L6645950			
-10S3 +H	<i> </i> 1.000 L6645950			
-10S4 +H	<i>Press. sw.</i> 1.000 L6629020			

filter: (not ("I"\$GERAET) and (SYMBOLTYP<>"7") and (SYMBOLTYP< (C) De La Rue Giori S.A.

format: GLGBNH

desig: A233HANS

dated: 16.7.1997

page:37

next page:38

EQUIPMENT LIST

machine number: 621007un high item designation: =H

item inst.place	designation quantity part.no.	manufacturer type/order no.	technical data
* -10S5 +H	Sensor switch 1.000 L6645880		
-10S6 +H	Temp. 40°C 1.000 L6645880		
-10S7 +H	Temp 70°C 1.000 L6645880		
-10S8 +H	oil level switch 1.000 L6645890		
-10X1 +H	adapter/plug eleme 1.000 L0851090 plug/socket 8.000 L0752978	MURRELEKTRONIK MVSS-AS-276208 MURRELEKTRONIK 27635	Un:24V; In:2 (50VA) A; Ans:8+1 5pol.; 250V; 3A; 0.75mm ² ; M12
-15K1 +E4S	contactor/relay 1.000 L0052532 accessory/special 1.000 L0720852	SCHRACK MT221024-25651111 KARL LUMBERG 108 PGS	Ub:20-34V; DC; Phal:1.2VA; S-el:2 W; Us:250V; Ps:250V/10A 8POL., 38*67*26MM
* -15N1 +E4S	1.000 in 15Y1		
-15Y1 +H	1.000 L6645930		

विद्युत विभाग
ELECTRICAL DEPTT.
कलर्स प्रेस मुद्रणालय.
CURRENCY NOTE PRESS.

filter: (not ("I"\$GERAET) and (SYMBOLTYP<>"7") and (SYMBOLTYP< (C) De La Rue Giori S.A.

format: GLGBNH

desig: A233HANS

dated: 16.7.1997

page:38

next page:39

EQUIPMENT LIST		machine number: 621007un high item designation: =K		
item inst.place	designation quantity part.no.	manufacturer type/order no.	technical data	
-10A1 +DT10A	1.000 L0066500			
-10A1-S11 +DT10A	switch/knob button 1.000 L0751719 shield 1.000 L0751767 contact element 1.000 L0751742	ELAN EDRR40RT+EFR ELAN MDP-8 ELAN EF220.1	22.5 d:22.5mm 22.5;400VAC;4A	
-11D1 +K1S	cpu/memory/funct.u 1.000 L0055976	ABB 07KT93R161	ARC./CS31;24VDC,ARCNET,24/16BIN. IN-/OUTPUT	
-11R7 +K1S	resistor 1.000 L0058243	SPOERLE PR01	120Ohm5%;1W	
-12D1 +K1S	in-/output unit 1.000 L0055977	ABB ICDG32L1	CS31;16IN-,8OUT-PUTS,0.5A,8I/O	
-13D1 +K2S	in-/output unit 1.000 L0055977	ABB ICDG32L1	CS31;16IN-,8OUT-PUTS,0.5A,8I/O	
-13R7 +K2S	resistor 1.000 L0058243	SPOERLE PR01	120Ohm5%;1W	
-14D1 +K1S	<i>Analog</i> in-/output unit 1.000 L0055973 rack 1.000 L0055970	ABB ICSM 06 A6 ABB ECZ	CS31;24VDC,4*ANA.INPUT,2*ANA.O U PUT CS31;122.5mm*60.0mm*30.0mm	
-21S1 +K1	1.000 K106914		<i>Guard transfer in</i>	
-21S2 +K1	1.000 K104668		<i>transfer in start position reached</i>	
-21S3 +K1	1.000 K104668		<i>transfer in to end position reached</i>	
-21S4 +K1	1.000 K104668		<i>transfer in to brake</i>	
-21Y5 +K1	1.000 K102852			
-21Y6 +K1	1.000 K102852			
-21Y7 +K1	1.000 K102852			
-22Y3 +K1	1.000 K102908			
-24A1-22S2 +K1K	1.000 K111211			
-24A1-H14 +K1K	1.000 K110931			
-24A1-H16 +K1K	1.000 K111215			
-24A1-H18 +K1K	1.000 K111216			
-24A1-H22 +K1K	1.000 K111215			
-24A1-H27 +K1K	1.000 K111215			
-24A1-S11 +K1K	1.000 K110915			
filter: (not ("I"\$GERAET) and (SYMBOLTYP<>"7") and (SYMBOLTYP<			(C) De La Rue Giori S.A.	
format: GLGBNH	desig: A233HANS	dated: 16.7.1997	page:39	next page:40

EQUIPMENT LIST		machine number: 621007un high item designation: =K		
item	designation	manufacturer	technical data	
inst.place	quantity part.no.	type/order no.		
-24A1-S12 +K1K	1.000 K110913			
-24A1-S13 +K1K	1.000 K110935			
-24A1-S17 +K1K	1.000 K111211			
-24A1-S21 +K1K	1.000 K110917			
-24A1-S23 +K1K	1.000 K111320			
-24A1-S24 +K1K	1.000 K110911	<i>Push button sw 3</i>		
-24A1-S25 +K1K	1.000 K110911			
-24A1-S26 +K1K	1.000 K110917			
* -24E1 +K1S	1.000 K102949		<i>Heater sealing bar</i>	
-24F2 +K1S	1.000 K107811			
-24K4 +K1S	1.000 L0052021	ABB BC7-30-10	Ub:19-26V;DC;Phal:3.5VA;S-el:3 H1S;Us:500V;Ps:440V/5.5KW	
* -24R6 +K1	1.000 K000000	<i>Sensor for =K24V7</i>		
-24T2 +K1S	1.000 K111317			
* -24U7 +K1S	1.000 K110938	<i>PHOENIX PT100/2/2-0/300</i>	<i>I to e converter</i>	
-24V2 +K1S	1.000 L0052545	solid state relay THERMONIE RSDA-560-30-3D2	Ub:20-30Vf;DCHz;Us:560Vfs:0.06 kHz;Is:30A	
-27B2 +K1	1.000 K111167	<i>Photo sensor</i>		
-27B3 +K1	1.000 K111166			
-27K1 +K1S	1.000 L0052532	contactor/relay SCHRACK MT221024-25651111	Ub:20-34V;DC;Phal:1.2VA;S-el:2 W;Us:250V;Ps:250V/10A	
	1.000 L0720852	accessory/special KARL LUMBERG 108 PGS	8POL., 38*67*26MM	
-27K2 +K1S	1.000 L0052532	contactor/relay SCHRACK MT221024-25651111	Ub:20-34V;DC;Phal:1.2VA;S-el:2 W;Us:250V;Ps:250V/10A	
	1.000 L0720852	accessory/special KARL LUMBERG 108 PGS	8POL., 38*67*26MM	
-27S1 +K1	1.000 K111752	<i>Magnetic switch</i>		
-27S4 +K1	1.000 K111752	<i>Mag. sw.</i>	<i>welding stamper bottom</i>	
-27S5 +K1	1.000 K111752	<i>Mag. sw.</i>	<i>welding stamper top</i>	
-27S6 +K1	1.000 K104668	<i>limit sw.</i>	<i>welding stamper off</i>	
-27Y6				

EQUIPMENT LIST		machine number: 621007un high item designation: =K		
item inst.place	designation quantity part.no.	manufacturer type/order no.	technical data	
+K1	1.000 K102852			
-27Y7 +K1	1.000 K102852			
-30E1 +K1S	1.000 K343277			
-30F2 +K1S	1.000 K107811			
-30K4 +K1S	1.000 L0052021	ABB BC7-30-10	Ub:19-26V;DC;Phal:3.5VA;S-el:3 H1S;Us:500V;Ps:440V/5.5KW	
-30R7 +K1	1.000 K000000		Thermo element type K Nicr-Cr.	
-30T2 +K1S	1.000 K111317	Transformer		
*-30U7 +K1S	1.000 K110939	Sensor Temp. measuring. Make: PHOENIX CONTACT Typ: MCR-TE/K/I-0/1000/E	SIGNAL CONVERTOR	
-30V2 +K1S	1.000 K111996	static relay		
-33B3 +K1	1.000 K111167	Photosensor		
-33B4 +K1	1.000 K111166	Photosensor		
-33K3 +K1S	1.000 L0052021	ABB BC7-30-10	Ub:19-26V;DC;Phal:3.5VA;S-el:3 H1S;Us:500V;Ps:440V/5.5KW	
✓-33M1 +K1	1.000 K102226	motor cooling blower lengthwise of AC, sealing		
-33Y5 +K1	1.000 K102852			
-33Y6 +K1	1.000 K102852			
-36B6 +K1	1.000 K110387	Prox. sw.		
-36F2 +K1S	1.000 K107811			
-36K5 +K1S	1.000 L0052021	ABB BC7-30-10	Ub:19-26V;DC;Phal:3.5VA;S-el:3 H1S;Us:500V;Ps:440V/5.5KW	
*-36M3 +K1 (98 M.A.1)	1.000 K103924 1.000 K101131	Packjet film motor for plastic film WEG OCG 632 TE/500	220-245V, 1.1A, 50Hz, 2700RPM, 0.12 KW, cosφ=0.98 1φ A.C., IP54, Isol KI-B	
-36N2 +K1S	1.000 K103924	Drive packjet film motor		
-36R1 +K1	1.000 K102199	Potentiometer		
-36S6 +K1	1.000 K100980	limit switch		
-39B6 +K1	1.000 K111167	Photosensor		
-39B7 +K1	1.000 K111166	Photo sensor		
-39F2				

EQUIPMENT LIST		machine number: 621007un high item designation: =K		
item	designation	manufacturer	technical data	
inst.place	quantity	part.no.	type/order no.	
+K1S	1.000	K107811		
-39K5 +K1S	1.000	L0052022	ABB BC7-30-01	Ub:19-26V;DC;Phal:3.5VA;S-el:3 H1O;Us:500V;Ps:440V/5.5KW
-39K6 +K1S	1.000	L0052022	ABB BC7-30-01	Ub:19-26V;DC;Phal:3.5VA;S-el:3 H1O;Us:500V;Ps:440V/5.5KW
-39M3 +K1 (98M6/)	1.000	K103924	Packjet 1000 conveyor delivery motor	"Same as =K-36M3"
-39N2 +K1S	1.000	K103924	Doire conveyor delivery	
-39R1 +K1	1.000	K103920		
-61A1-61E1 +K2	1.000	K101109	Heater shrink tunnel	
-61A1-61E2 +K2	1.000	K101109		
-61A1-61E3 +K2	1.000	K101109		
-61A2-61E4 +K2	1.000	K101109		
-61A2-61E5 +K2	1.000	K101109		
-61A2-61E6 +K2	1.000	K101109		
-61A3-61E7 +K2	1.000	K101109		
-61A3-61E8 +K2	1.000	K101109		
-61A3-61E9 +K2	1.000	K101109		
-61F2 +K2S	1.000	K106747	Prot. switch/overload	
				1.000 K104278
-61F3 +K2S	1.000	K106747	— —	
				1.000 K104278
-61F4 +K2S	1.000	K106747	— —	
				1.000 K104278
-61K4 +K2S	1.000	K110908	Contacting Relay BC16	
-61M1 +K2S	1.000	L0053274	blower/ventilator NMB-MINEBEA 3110RIB TYPE	51cbm/h;1.92W;24V DC;0.08A;245 0min-1
	2.000	L0053306	accessory/special DYNAREP 3100	D= 80
-61V2 +K2S	1.000	K111996	Static relay	
-61V5 +K2S	1.000	L0056085	solid state relay BDT 84-270	Ub:24VF:DChz;Us:24VIs:4A
filter: (not ("I"\$GERAET) and (SYMBOLTYP<>"7") and (SYMBOLTYP<				(C) De La Rue Giori S.A.
format: GLGBNH	desig: A233HANS	dated: 16.7.1997	page:42	next page:43

fan for static relay

EQUIPMENT LIST		machine number: 621007un high item designation: =K			
item inst.place	designation quantity	part.no.	manufacturer type/order no.	technical data	
-61Z1 +K2S	filter 1.000	L0052876	MURRELEKTRONIK HRC3	23009	3ph;400VAC50/60Hz;20kW;0.1kOhm /1uF
-62A1 +K2K	1.000	L0066500			
-62A1-H11 +K2K	1.000	K110931			
-62A1-H12 +K2K	1.000	K110931			
-62A1-H16 +K2K	1.000	K110931			
-62A1-S13 +K2K	1.000	K110917			
-62A1-S14 +K2K	1.000	K110915			
-62A1-S15 +K2K	1.000	K110913			
-62R6 +K2	1.000	K101158			
* -62U7 +K2S	temp measuring shrink tunnel. 1.000	K110938		PT100/2/R-0-300	
-64F2 +K2S	1.000	K107809			
-64K4 +K2S	contactor/relay 1.000	ABB L0052022	BC7-30-01		Ub:19-26V;DC;Phal:3.5VA;S-el:3 H10;Us:500V;Ps:440V/5.5KW
-64K5 +K2S	contactor/relay 1.000	ABB L0052022	BC7-30-01		Ub:19-26V;DC;Phal:3.5VA;S-el:3 H10;Us:500V;Ps:440V/5.5KW
-64M2 +K2	shrink tunnel blower 1.000	K105596		3 Ø AC	
-64M3 +K2	cooling blower 1.000	K102228		1 Ø AC	
-64Z2 +K2S	filter 1.000	L0052872	MURRELEKTRONIK HRC3/022-500	23000	3ph;400 +10% MAXVAC50-60Hz;4k W;0.022kOhm/0.22uF
-67B5 +K2	Photo sensor 1.000	K111167			
-67B6 +K2	Photo sensor 1.000	K111166			
-67F2 +K2S	Prof mot sw. 1.000	K107808			
-67H6 +K2	1.000	K105839			
-67K4 +K2S	contactor/relay 1.000	ABB L0052022	BC7-30-01		Ub:19-26V;DC;Phal:3.5VA;S-el:3 H10;Us:500V;Ps:440V/5.5KW
* -67M2 +K2	shrink tunnel conveyor motor 1.000	K102170		185 W, DC, WEG, Type- KGA 223	
-67N2 +K2S	static relay 1.000	K107428			
-67V6 +K2S	solid state relay 1.000	BDT L0056085	84-270		Ub:24Vf;DCHz;Us:24VIs:4A
-70B3 +K2	Photo sensor 1.000	K111167			

filter: (not ("I"\$GERAET) and (SYMBOLTYP<>"7") and (SYMBOLTYP< (C) De La Rue Giori S.A.

format: GLGBNH

desig: A233HANS

dated: 16.7.1997

page:43

next page:44

EQUIPMENT LIST machine number: 621007un high item designation: =K

item	designation	manufacturer	technical data
inst.place	quantity	part.no.	type/order no.
-70B4 +K2	1.000	Photosensoꝛ K111166	
-70S6 +K2	1.000	limit sw. K108516	SCHMERSAL AZ163VY
-70Y5 +K2	1.000	K102852	

EQUIPMENT LIST		machine number: 621007un high item designation: =N		
item inst.place	designation quantity part.no.	manufacturer type/order no.	technical data	
-1A1 +N1X	terminal box/split 1.000 L0850165	ROSE ELEKTROTECHNIK 10.80806	75mm*80mm*52mm	
-1F1 +E2S	prot.motor switch 1.000 L0057719 accessory/special 1.000 L0057723	KLOECKNER-MOELLER PKZM1-10 KLOECKNER-MOELLER NH111-PKZM1	6-10A;690V UE:500V,AMAX.6,1S10,AQ:2.5	
-1K1 +E1S	contactor/relay 1.000 L0052532 accessory/special 1.000 L0720852	SCHRACK MT221024-25651111 KARL LUMBERG 108 PGS	Ub:20-34V;DC;Phal:1.2VA;S-el:2 W;Us:250V;Ps:250V/10A 8POL.,38*67*26MM	
-1K2 +E1S	contactor/relay 1.000 L0052532 accessory/special 1.000 L0720852	SCHRACK MT221024-25651111 KARL LUMBERG 108 PGS	Ub:20-34V;DC;Phal:1.2VA;S-el:2 W;Us:250V;Ps:250V/10A 8POL.,38*67*26MM	
*-1M1 +N	motor AC 1.000 L0051552	BAUMUELLER DS56-M43R	3ph;181V+-10%50HZ,12.2A,2KW,40 00/MIN;4.8Nm	
*-1N1 +E2S	frequency converte 1.000 L0052923	BAUMUELLER BUM618	3ph;Ue:210-240V;f:50-60Hz;Ua:0 -230Vfa:50-60Hz;In:12A;P.mot:1	
-1T1 +E2S	transformer 1.000 L0052828	BAUMUELLER 19007161	3ph;P:2500VA;Upri:415Vf:50Hz;I pri:3.7A;Usek:230V;Isek:6.3A	
-3A1 +DT19	1.000 L0062463			
-3A1-S11 +DT19	switch/knob button 1.000 L0751727 contact element 1.000 L0751781 signal lamp/holder 1.000 L0751784 bulb/led 1.000 L0752338	ELAN EDL WS KB ELAN EF103.1 ELAN EL 0280190 BARTHELME KRL/23	22.5 22.5;230VAC;10A 250V;UC;BA9S BA9S;30V;2W	
-3A1-S12 +DT19	switch/knob button 1.000 L0751805 contact element 1.000 L0751781 shield 1.000 L0840999	ELAN EDT KB ELAN EF103.1 ELAN E-KB-9.1	22.5 22.5;230VAC;10A d:18.9mm	
-3F1 +E2S	filter 1.000 L0052874	MURRELEKTRONIK VG-BC6/24	1ph;24VAC24VDC	
-3K1 +E2S	contactor/relay 1.000 L0052021	ABB BC7-30-10	Ub:19-26V;DC;Phal:3.5VA;S-el:3 H1S;Us:500V;Ps:440V/5.5KW	
*-4D1 +E3S	edp/interface-acce 1.000 L0844084	ABB 07KP92R161	24VDC,12W,CS31-4*RS232/485	
-5B1 +N	proximity switch 1.000 L0752959	BALLUFF BES516-3019-S4C	0-3.2mm;10-30V;DC;PNP;0.4kHz	
-5B2 +N	proximity switch 1.000 L0752896	IFM ELECTRONIC IS-3002-APOG+AS-510T	0-2mm;10-36V;DC;PNP;0.8kHz	
-5B3 +N	proximity switch 1.000 L0752895	IFM ELECTRONIC IS-3002-BPOG+AS-510T	0-2mm;10-36V;DC;PNP;0.8kHz	
-5B5 +N	proximity switch 1.000 L0752895	IFM ELECTRONIC IS-3002-BPOG+AS-510T	0-2mm;10-36V;DC;PNP;0.8kHz	
-5X1 +N	adapter/plug eleme 1.000 L0851090 plug/socket 8.000 L0752977	MURRELEKTRONIK MVSS-AS-276208 MURRELEKTRONIK 27625	Un:24V;In:2 (50VA)A;Ans:8+1 5pol.;250V;3A;0.75mm2	
-5X2 +N	adapter/plug eleme 1.000 L0851090	MURRELEKTRONIK MVSS-AS-276208	Un:24V;In:2 (50VA)A;Ans:8+1	

filter: (not ("I"\$GERAET) and (SYMBOLTYP<>"7") and (SYMBOLTYP< (C) De La Rue Giori S.A.

format: GLGBNH

desig: A233HANS

dated: 16.7.1997

page:45

next page:46

EQUIPMENT LIST		machine number: 621007un high item designation: =N		
item	designation	manufacturer	technical data	
inst.place	quantity part.no.	type/order no.		
	plug/socket 8.000 L0752977	MURRELEKTRONIK 27625	5pol.; 250V; 3A; 0.75mm2	
-10F1 +E1S	prot.motor switch 1.000 L0057715 accessory/special 1.000 L0057723	KLOECKNER-MOELLER PKZM1-1,6 KLOECKNER-MOELLER NHI11-PKZM1	1-1.6A; 690V UE: 500V, AMAX. 6, 1S10, AQ: 2.5	
-10F2 +E1S	filter 1.000 L0052874	MURRELEKTRONIK VG-BC6/24	1ph; 24VAC24VDC	
-10F3 +E1S	filter 1.000 L0052874	MURRELEKTRONIK VG-BC6/24	1ph; 24VAC24VDC	
-10K1 +E1S	contactor/relay 1.000 L0052021 accessory/special 1.000 L0052025	ABB BC7-30-10 ABB CAF 6-11M	Ub: 19-26V; DC; Phal: 3.5VA; S-el: 3 H1S; Us: 500V; Ps: 440V/5.5KW 230VAC 4A 1S10	
-10K2 +E1S	contactor/relay 1.000 L0052021 accessory/special 1.000 L0052025	ABB BC7-30-10 ABB CAF 6-11M	Ub: 19-26V; DC; Phal: 3.5VA; S-el: 3 H1S; Us: 500V; Ps: 440V/5.5KW 230VAC 4A 1S10	
-10K3 +E3S	contactor/relay 1.000 L0052532 accessory/special 1.000 L0720852	SCHRACK MT221024-25651111 KARL LUMBERG 108 PGS	Ub: 20-34V; DC; Phal: 1.2VA; S-el: 2 W; Us: 250V; Ps: 250V/10A 8POL., 38*67*26MM	
-10K4 +E3S	contactor/relay 1.000 L0052532 accessory/special 1.000 L0720852	SCHRACK MT221024-25651111 KARL LUMBERG 108 PGS	Ub: 20-34V; DC; Phal: 1.2VA; S-el: 2 W; Us: 250V; Ps: 250V/10A 8POL., 38*67*26MM	
*-10M1 +N	gear motor AC 1.000 L0051322	SEW EURODRIVE RX61DT71D4 BMG/HF	3ph; 240/415V+/-10%, 50HZ, 1.2A, 3 70W; 15Nm; 5.93:1	
-15F1 +E1S	prot.motor switch 1.000 L0057715 accessory/special 1.000 L0057723	KLOECKNER-MOELLER PKZM1-1,6 KLOECKNER-MOELLER NHI11-PKZM1	1-1.6A; 690V UE: 500V, AMAX. 6, 1S10, AQ: 2.5	
-15F2 +E1S	filter 1.000 L0052874	MURRELEKTRONIK VG-BC6/24	1ph; 24VAC24VDC	
-15F3 +E1S	filter 1.000 L0052874	MURRELEKTRONIK VG-BC6/24	1ph; 24VAC24VDC	
-15K1 +E1S	contactor/relay 1.000 L0052021 accessory/special 1.000 L0052025	ABB BC7-30-10 ABB CAF 6-11M	Ub: 19-26V; DC; Phal: 3.5VA; S-el: 3 H1S; Us: 500V; Ps: 440V/5.5KW 230VAC 4A 1S10	
-15K2 +E1S	contactor/relay 1.000 L0052021 accessory/special 1.000 L0052025	ABB BC7-30-10 ABB CAF 6-11M	Ub: 19-26V; DC; Phal: 3.5VA; S-el: 3 H1S; Us: 500V; Ps: 440V/5.5KW 230VAC 4A 1S10	
-20F1 +E2S	fuse holder 1.000 L0754156 accessory/special 1.000 L0754157 screwed cap 3.000 L0754600 fuse insert 3.000 L0754740 fuse cartridge 3.000 L0755440	RITTAL SV3427 RITTAL SV3428 FEGA GMBH DIN49514-DII-500 MAINLAND GMBH DIN49516-DII*16 MAINLAND GMBH DIN49515-DIIGL* 16*	E27; 3pol; 25A; 500V E27, 3POL, 42*230MM, F.SV3427 E27; 25A; 500V E27; 16A DII; T16A; 500V	
-20F2 +E1S	filter 1.000 L0052874 monitoring device 1.000 L0057781	MURRELEKTRONIK VG-BC6/24 SIEMENS 3UN2100-0AB4	1ph; 24VAC24VDC 19-29V; DC	

filter: (not ("I"\$GERAET) and (SYMBOLTYP<>"7") and (SYMBOLTYP< (C) De La Rue Giori S.A.

format: GLGBNH

desig: A233HANS

dated: 16.7.1997

page: 46

next page: 47

EQUIPMENT LIST		machine number: 621007un high item designation: =N		
item inst.place	designation quantity part.no.	manufacturer type/order no.	technical data	
-20K1 +E1S	contactor/relay 1.000 L0052022	ABB BC7-30-01	Ub:19-26V;DC;Phal:3.5VA;S-el:3 H10;Us:500V;Ps:440V/5.5KW	
-20K2 +E3S	contactor/relay 1.000 L0052532 accessory/special 1.000 L0720852	SCHRACK MT221024-25651111 KARL LUMBERG 108 PGS	Ub:20-34V;DC;Phal:1.2VA;S-el:2 W;Us:250V;Ps:250V/10A 8POL., 38*67*26MM	
✓ -20M1 +N	gear motor AC 1.000 L0051478	SEW EURODRIVE S42DT80K4BM/HF/TF	3ph;240/415V*10*50HZ,2.92/1,69 A,550W;60Nm;17.9:1	
-20N1 +E2S	frequency converte 1.000 L0052994	SEW EURODRIVE 1015-403-4-00	3ph;Ue:280-460V;f:50/60Hz;Ua:4 00Vfa:2-127Hz;In:4A;P.mot:1.5k	
-20V1 +E3S	solid state relay 1.000 L0056085	BDT 84-270	Ub:24Vf:DCHz;Us:24VIs:4A	
-25B1 +N	proximity switch 1.000 L0752895	IFM ELECTRONIC IS-3002-BPOG+AS-510T	0-2mm;10-36V;DC;PNP;0.8kHz	
-30S1 +N	accessory/special 1.000 L0752807 limit/posit.switch 1.000 L0752801	HONEYWELL 5PA-PG9-1 HONEYWELL BZ-2RW 82255-A2	PG9,53.5*24.5*21MM 380VAC;15A	
-30S2 +N	accessory/special 1.000 L0752807 limit/posit.switch 1.000 L0752801	HONEYWELL 5PA-PG9-1 HONEYWELL BZ-2RW 82255-A2	PG9,53.5*24.5*21MM 380VAC;15A	
-30X1 +N	adapter/plug eleme 1.000 L0851090 plug/socket 8.000 L0752977	MURRELEKTRONIK MVSS-AS-276208 MURRELEKTRONIK 27625	Un:24V;In:2 (50VA)A;Ans:8+1 5pol.;250V;3A;0.75mm2	
-30X2 +N	adapter/plug eleme 1.000 L0851090 plug/socket 8.000 L0752977	MURRELEKTRONIK MVSS-AS-276208 MURRELEKTRONIK 27625	Un:24V;In:2 (50VA)A;Ans:8+1 5pol.;250V;3A;0.75mm2	
-35S1 +N	limit/posit.switch 1.000 L0752651 accessory/special 1.000 L0752652 accessory/special 11.000 L0752653	ELAN RSD02.D12.102 ELAN NLA 16.2-250B ELAN NT 0.16	380VAC;6A 250*32*16MM F.L0752652	
-35S2 +N	limit/posit.switch 1.000 L0752651 accessory/special 1.000 L0752652 accessory/special 11.000 L0752653	ELAN RSD02.D12.102 ELAN NLA 16.2-250B ELAN NT 0.16	380VAC;6A 250*32*16MM F.L0752652	
-40B1 +N	proximity switch 1.000 L0752932	IFM ELECTRONIC IN-3004-BPKG/IN5130	0-4mm;10-55V;DC;PNP;1.3kHz	
-40B2 +N	proximity switch 1.000 L0752932	IFM ELECTRONIC IN-3004-BPKG/IN5130	0-4mm;10-55V;DC;PNP;1.3kHz	
-40B3 +N	proximity switch 1.000 L0752932	IFM ELECTRONIC IN-3004-BPKG/IN5130	0-4mm;10-55V;DC;PNP;1.3kHz	
-40B4 +N	proximity switch 1.000 L0752932	IFM ELECTRONIC IN-3004-BPKG/IN5130	0-4mm;10-55V;DC;PNP;1.3kHz	
-40B5 +N	proximity switch 1.000 L0752957	BALLUFF BES516-356-S4C	0-3.2mm;10-30V;DC;PNP;0.4kHz	
-40B6 +N	proximity switch 1.000 L0752957	BALLUFF BES516-356-S4C	0-3.2mm;10-30V;DC;PNP;0.4kHz	
-40X1 +N	adapter/plug eleme 1.000 L0851090	MURRELEKTRONIK MVSS-AS-276208	Un:24V;In:2 (50VA)A;Ans:8+1	
filter: (not ("I"\$GERAET) and (SYMBOLTYP<>"7") and (SYMBOLTYP<		(C) De La Rue Giori S.A.		
format: GLGBNH	desig: A233HANS	dated: 16.7.1997	page:47	next page:48

EQUIPMENT LIST		machine number: 621007un high item designation: =N		
item	designation	manufacturer	technical data	
inst.place	quantity part.no.	type/order no.		
	plug/socket 8.000 L0752977	MURRELEKTRONIK 27625	5pol.;250V;3A;0.75mm2	
-40X2 +N	adapter/plug eleme 1.000 L0851090	MURRELEKTRONIK MVSS-AS-276208	Un:24V;In:2 (50VA)A;Ans:8+1	
	plug/socket 8.000 L0752977	MURRELEKTRONIK 27625	5pol.;250V;3A;0.75mm2	
-41B1 +N	proximity switch 1.000 L0752957	BALLUFF BES516-356-S4C	0-3.2mm;10-30V;DC;PNP;0.4kHz	
-41B2 +N	proximity switch 1.000 L0752957	BALLUFF BES516-356-S4C	0-3.2mm;10-30V;DC;PNP;0.4kHz	
-41B3 +N	proximity switch 1.000 L0752957	BALLUFF BES516-356-S4C	0-3.2mm;10-30V;DC;PNP;0.4kHz	
-41B4 +N	proximity switch 1.000 L0752957	BALLUFF BES516-356-S4C	0-3.2mm;10-30V;DC;PNP;0.4kHz	
-41B5 +N	proximity switch 1.000 L0752957	BALLUFF BES516-356-S4C	0-3.2mm;10-30V;DC;PNP;0.4kHz	
-41B6 +N	proximity switch 1.000 L0752957	BALLUFF BES516-356-S4C	0-3.2mm;10-30V;DC;PNP;0.4kHz	
-42B1 +N	photosensor 1.000 L0053461	DATALOGIC S5-5-A2-35 G5210235	0- 2000;10-30VERPOLUNGSSICHERV	
	accessory/special 1.000 L0053399	WENGLOR SENSORIC M	DC;PNP/NPN;0.2kHz D=26/22MM	
-42B2 +N	photosensor 1.000 L0053461	DATALOGIC S5-5-A2-35 G5210235	0- 2000;10-30VERPOLUNGSSICHERV	
	accessory/special 1.000 L0053399	WENGLOR SENSORIC M	DC;PNP/NPN;0.2kHz D=26/22MM	
-45B1 +N	magnetic switch 1.000 L0752980	BALLUFF BMF 32M-NS-C2-S49	10-30VDC;0.02kHz	
-45B2 +N	magnetic switch 1.000 L0752980	BALLUFF BMF 32M-NS-C2-S49	10-30VDC;0.02kHz	
-45B3 +N	magnetic switch 1.000 L0752980	BALLUFF BMF 32M-NS-C2-S49	10-30VDC;0.02kHz	
-45B4 +N	magnetic switch 1.000 L0752980	BALLUFF BMF 32M-NS-C2-S49	10-30VDC;0.02kHz	
-50V1 +E3S	solid state relay 1.000 L0056085	BDT 84-270	Ub:24Vf:DCHz;Us:24VIs:4A	
-50V2 +E3S	solid state relay 1.000 L0056085	BDT 84-270	Ub:24Vf:DCHz;Us:24VIs:4A	
*-50Y1 +N	clutch 1.000 L0059511	MOENNINGHOFF 24.546.23.3.4	24VDC;1.3A;36W;250Nm;8min-1	
-50Y2 +N	clutch 1.000 L0059511	MOENNINGHOFF 24.546.23.3.4	24VDC;1.3A;36W;250Nm;8min-1	
-55Y1 +N	solenoid valve 1.000 L2670582	FESTO MSFG-24-4527	24VUC,4.5W,ED:100%,IP65	
	solenoid valve 1.000 L2670753	FESTO MFH-5-1/8 9982	100%	
-55Y2 +N	solenoid valve 1.000 L2670582	FESTO MSFG-24-4527	24VUC,4.5W,ED:100%,IP65	
	solenoid valve 1.000 L2670753	FESTO MFH-5-1/8 9982	100%	
-60V1 +E3S	solid state relay 1.000 L0056085	BDT 84-270	Ub:24Vf:DCHz;Us:24VIs:4A	
-60V2	solid state relay	BDT	Ub:24Vf:DCHz;Us:24VIs:4A	
filter: (not ("I"\$GERAET) and (SYMBOLTYP<>"7") and (SYMBOLTYP<			(C) De La Rue Giori S.A.	
format: GLGBNH	desig: A233HANS	dated: 16.7.1997	page:48	next page:49

EQUIPMENT LIST machine number: 621007un high item designation: =N

item inst.place	designation quantity	part.no.	manufacturer type/order no.	technical data
+E3S	1.000	L0056085	84-270	
-60V3 +E3S	solid state relay 1.000	L0056085	BDT 84-270	Ub:24Vf:DCHz;Us:24VIs:4A
-60V4 +E3S	solid state relay 1.000	L0056085	BDT 84-270	Ub:24Vf:DCHz;Us:24VIs:4A
-60Y1 +N	clutch 1.000	L0059511	MOENNINGHOFF 24.546.23.3.4	24VDC;1.3A;36W;250Nm;8min-1
-60Y2 +N	brake 1.000	L0059770	LENZE 14.438.14.1.1-24V-30	24V;DC;2.1A;60Nm
-60Y3 +N	clutch 1.000	L0059511	MOENNINGHOFF 24.546.23.3.4	24VDC;1.3A;36W;250Nm;8min-1
-60Y4 +N	brake 1.000	L0059770	LENZE 14.438.14.1.1-24V-30	24V;DC;2.1A;60Nm
-65B1 +N	magnetic switch 1.000	L0752980	BALLUFF BMF 32M-NS-C2-S49	10-30VDC;0.02kHz
-65B2 +N	magnetic switch 1.000	L0752980	BALLUFF BMF 32M-NS-C2-S49	10-30VDC;0.02kHz
-66F1 +E1S	prot.motor switch 1.000	L0057715	KLOECKNER-MOELLER PKZM1-1,6	1-1.6A;690V
	accessory/special 1.000	L0057723	KLOECKNER-MOELLER NHI11-PKZM1	UE:500V,AMAX.6,1S10,AQ:2.5
-66F3 +E1S	filter 1.000	L0052874	MURRELEKTRONIK VG-BC6/24	1ph;24VAC24VDC
-66K1 +E1S	contactor/relay 1.000	L0052022	ABB BC7-30-01	Ub:19-26V;DC;Phal:3.5VA;S-el:3 H10;Us:500V;Ps:440V/5.5KW
-66M1 +N	synchronous motor 1.000	L0051829	BERGER RSM884/3BSDK-P50:1	230V50/60Hz;0.32A;0.07kW;50:1; 20min-1;33Ncm;2.2uF
-67A1 +E4S	cpu/memory/funct.u 1.000	L0056289	BDT SPM2-ARC-GEB N2	ARCNET/SPM;24VDC
-67B1 +N	shaft encoder 1.000	L0053772	HENGSTLER RA58S/00010EK4XKDPGS N	1024S/U;GRAY-Code;10-30V;DC;NP N
-67B2 +N	proximity switch 1.000	L0752956	BALLUFF BES516-325-S4C	0-1.6mm;10-30V;DC;PNP;0.8kHz
-67B3 +N	proximity switch 1.000	L0752956	BALLUFF BES516-325-S4C	0-1.6mm;10-30V;DC;PNP;0.8kHz
-68F1 +E1S	prot.motor switch 1.000	L0057715	KLOECKNER-MOELLER PKZM1-1,6	1-1.6A;690V
	accessory/special 1.000	L0057723	KLOECKNER-MOELLER NHI11-PKZM1	UE:500V,AMAX.6,1S10,AQ:2.5
-68F3 +E1S	filter 1.000	L0052874	MURRELEKTRONIK VG-BC6/24	1ph;24VAC24VDC
-68K1 +E1S	contactor/relay 1.000	L0052022	ABB BC7-30-01	Ub:19-26V;DC;Phal:3.5VA;S-el:3 H10;Us:500V;Ps:440V/5.5KW
-68M1 +N	synchronous motor 1.000	L0051829	BERGER RSM884/3BSDK-P50:1	230V50/60Hz;0.32A;0.07kW;50:1; 20min-1;33Ncm;2.2uF
-69B1 +N	shaft encoder 1.000	L0053772	HENGSTLER RA58S/00010EK4XKDPGS N	1024S/U;GRAY-Code;10-30V;DC;NP N
-69B2 +N	proximity switch 1.000	L0752956	BALLUFF BES516-325-S4C	0-1.6mm;10-30V;DC;PNP;0.8kHz
-69B3 +N	proximity switch 1.000	L0752956	BALLUFF BES516-325-S4C	0-1.6mm;10-30V;DC;PNP;0.8kHz

Not used
in our plant

Not Used
On
Cubpak-1
Universal
Mk.

filter: (not ("I"\$GERAET) and (SYMBOLTYP<>"7") and (SYMBOLTYP< (C) De La Rue Giori S.A.

format: GLGBNH desig: A233HANS dated: 16.7.1997 page:49 next page:50

EQUIPMENT LIST		machine number: 621007un		high item designation: =N
item	designation	manufacturer	technical data	
inst.place	quantity part.no.	type/order no.		
-70B1 +N	magnetic switch 1.000 L0752980	BALLUFF BMF 32M-NS-C2-S49	10-30VDC;0.02kHz	
-70B2 +N	magnetic switch 1.000 L0752980	BALLUFF BMF 32M-NS-C2-S49	10-30VDC;0.02kHz	
-70B3 +N	magnetic switch 1.000 L0752980	BALLUFF BMF 32M-NS-C2-S49	10-30VDC;0.02kHz	
-70B4 +N	magnetic switch 1.000 L0752980	BALLUFF BMF 32M-NS-C2-S49	10-30VDC;0.02kHz	
-70B5 +N	photosensor 1.000 L0053645	WENGLOR SENSORIC HD11PC3	35- 100;10-30VDC;0.6kHz	
-70B6 +N	photosensor 1.000 L0053645	WENGLOR SENSORIC HD11PC3	35- 100;10-30VDC;0.6kHz	
-70X1 +N	adapter/plug eleme 1.000 L0851090 plug/socket 8.000 L0752977	MURRELEKTRONIK MVSS-AS-276208 MURRELEKTRONIK 27625	Un:24V;In:2 (50VA)A;Ans:8+1 5pol.;250V;3A;0.75mm2	
-71X1 +N	adapter/plug eleme 1.000 L0851090 plug/socket 8.000 L0752977	MURRELEKTRONIK MVSS-AS-276208 MURRELEKTRONIK 27625	Un:24V;In:2 (50VA)A;Ans:8+1 5pol.;250V;3A;0.75mm2	
-71Y1 +N	solenoid valve 1.000 L0059114	FESTO MSFG-24-OD-34411	24VUC,4.5W,ED:100%,IP65	
-71Y2 +N	solenoid valve 1.000 L0059114	FESTO MSFG-24-OD-34411	24VUC,4.5W,ED:100%,IP65	
-71Y3 +N	solenoid valve 1.000 L0059114	FESTO MSFG-24-OD-34411	24VUC,4.5W,ED:100%,IP65	
-71Y4 +N	solenoid valve 1.000 L0059114	FESTO MSFG-24-OD-34411	24VUC,4.5W,ED:100%,IP65	
-75A1 +DT9	1.000 L0066230			
-75A1-S11 +DT9	switch/knob button 1.000 L0751805 contact element 1.000 L0751781 shield 1.000 L0840999	ELAN EDT KB ELAN EF103.1 ELAN E-KB-9.1	22.5 22.5;230VAC;10A d:18.9mm	
-75A1-S12 +DT9	switch/knob button 1.000 L0751805 contact element 1.000 L0751781 shield 1.000 L0840999	ELAN EDT KB ELAN EF103.1 ELAN E-KB-9.1	22.5 22.5;230VAC;10A d:18.9mm	
-75A1-S13 +DT9	switch/knob button 1.000 L0751705 contact element 1.000 L0751781 shield 1.000 L0840999	ELAN EWS21,1KB 2STELLIG ELAN EF103.1 ELAN E-KB-9.1	22.5 22.5;230VAC;10A d:18.9mm	
-75A1-S14 +DT9	contact element 1.000 L0751738 switch/knob button 1.000 L0751779	ELAN EF110.1 ELAN EDR35ROTKB	22.5;400VAC;6A 22.5	
-75A1-S15 +DT9	switch/knob button 1.000 L0751805 contact element 1.000 L0751781 shield	ELAN EDT KB ELAN EF103.1 ELAN	22.5 22.5;230VAC;10A d:18.9mm	

filter: (not ("I"\$GERAET) and (SYMBOLTYP<>"7") and (SYMBOLTYP< (C) De La Rue Giori S.A.

format: GLGBNH

desig: A233HANS

dated: 16.7.1997

page:50

next page:51

EQUIPMENT LIST machine number: 621007un high item designation: =N

item	designation	manufacturer	technical data
inst.place	quantity	part.no. type/order no.	

1.000 L0840999 E-KB-9.1

-75A1-S16	switch/knob button	ELAN	22.5
+DT9	1.000 L0751719	EDRR40RT+EFR	
	shield	ELAN	d:22.5mm
	1.000 L0751767	MDP-8	
	contact element	ELAN	22.5;400VAC;4A
	1.000 L0751742	EF220.1	

filter: (not ("I"\$GERAET)and(SYMBOLTYP<>"7")and(SYMBOLTYP< (C) De La Rue Giori S.A.

format: GLGBNH

desig: A233HANS

dated: 16.7.1997

page:51

next page:52

EQUIPMENT LIST		machine number: 621007un high item designation: =P		
item inst.place	designation quantity part.no.	manufacturer type/order no.	technical data	
-1F1 +E1S	fuse cartridge 3.000 L0755430 accessory/special 1.000 L0754157 screwed cap 3.000 L0754600 fuse insert 3.000 L0754730 fuse holder 1.000 L0754156	FEGA GMBH DIN49515-DIIGL* 10* RITTAL SV3428 FEGA GMBH DIN49514-DII-500 MAINLAND GMBH DIN49516-DII*10 RITTAL SV3427	DII;T10A;500V E27,3POL,42*230MM,F.SV3427 E27;25A;500V E27;10A E27;3pol;25A;500V	
-1F2 +E5S	automatic fuse 1.000 L0057863 accessory/special 1.000 L0057860	ABB GHS271-K10 ABB S2-H11	1pol;K;10A;440V;60VDC 5VA MIN BEI 24V / 1S10	
-1K1 +E3S	contactor/relay 1.000 L0052512 accessory/special 1.000 L0720097	WAGO 286-304/002-000 WAGO 280-609	Ub:24V;DC;Phal:0.53VA;S-el:1W; Us:250V;Ps:250V/7A 2*6POLS 0.08-2.5MM2	
-1Q1 +P1ST	main switch 1.000 L0750302	KRAUS & NAIMER CH16B-A203-600E-S1-		
-2F1 +P1S	prot.motor switch 1.000 L0057714 accessory/special 1.000 L0057723	KLOECKNER-MOELLER PKZM1-1 KLOECKNER-MOELLER NHI11-PKZM1	0.6-1A;690V UE:500V,AMAX.6,1S10,AQ:2.5	
-2H1 +P1ST	signal lamp/holder 1.000 L0751778 signal lamp/holder 1.000 L0751784 bulb/led 1.000 L0752327	ELAN EMLH GRUEN ELAN EL 0280190 BARTHELME KRI/23	24V;UC;2W;BA9S 250V;UC;BA9S BA9S;30V;2W	
-2H2 +P1ST	signal lamp/holder 1.000 L0751777 signal lamp/holder 1.000 L0751784 bulb/led 1.000 L0752327	ELAN EMLH ROT ELAN EL 0280190 BARTHELME KRI/23	24V;UC;2W;BA9S 250V;UC;BA9S BA9S;30V;2W	
-2K1 +P1S	contactor/relay 1.000 L0052021	ABB BC7-30-10	Ub:19-26V;DC;Phal:3.5VA;S-el:3 H1S;Us:500V;Ps:440V/5.5KW	
*-2M1 +P	1.000 L-sew			
-3A1 +DT14	1.000 L-TRAPO			
-3A1-H14 +DT14	signal lamp/holder 1.000 L0751777 signal lamp/holder 1.000 L0751784 bulb/led 1.000 L0752327	ELAN EMLH ROT ELAN EL 0280190 BARTHELME KRI/23	24V;UC;2W;BA9S 250V;UC;BA9S BA9S;30V;2W	
-3A1-S11 +DT14	switch/knob button 1.000 L0751825 contact element 1.000 L0751781	ELAN EDS13-0270625 ELAN EF103.1	22.5 22.5;230VAC;10A	
-3A1-S12 +DT14	switch/knob button 1.000 L0751805 contact element 1.000 L0751781 shield 1.000 L0840999	ELAN EDT KB ELAN EF103.1 ELAN E-KB-9.1	22.5 22.5;230VAC;10A d:18.9mm	
-3A1-S13 +DT14	contact element 1.000 L0751738 switch/knob button ELAN	ELAN EF110.1 ELAN	22.5;400VAC;6A 22.5	
filter: (not ("I"\$GERAET)and(SYMBOLTYP<>"7")and(SYMBOLTYP<				
(C) De La Rue Giori S.A.				
format: GLGBNH	desig: A233HANS	dated: 16.7.1997	page:52	next page:53

EQUIPMENT LIST		machine number: 621007un		high item designation: =P
item	designation	manufacturer	technical data	
inst.place	quantity part.no.	type/order no.		
	1.000 L0751779	EDR35ROT KB		
-3A1-S15 +DT14	switch/knob button 1.000 L0751719	ELAN EDRR40RT+EFR	22.5	
	shield 1.000 L0751767	ELAN MDP-8	d:22.5mm	
	contact element 1.000 L0751742	ELAN EF220.1	22.5;400VAC;4A	
-4F2 +P1S	fuse cartridge 2.000 L0755840	GROSSHANDEL 5*20	5*20;T4A;250V	
	accessory/special 1.000 L0720100	WAGO 281-611	800V,F.FUSES 5*20/25/30MM	
	accessory 1.000 L0720101	WAGO 281-311	2.5*60*35MM,F.4MM2	
-5B1 +P	photosensor 1.000 L0053392	WENGLOR SENSORIC HW11PC3	35- 100;10-30VDC;0.6kHz	
-5B2 +P	photosensor 1.000 L0053392	WENGLOR SENSORIC HW11PC3	35- 100;10-30VDC;0.6kHz	
-5B3 +P	magnetic switch 1.000 L0752980	BALLUFF BMF 32M-NS-C2-S49	10-30VDC;0.02kHz	
-5B4 +P	magnetic switch 1.000 L0752980	BALLUFF BMF 32M-NS-C2-S49	10-30VDC;0.02kHz	
-5Y1 +P	solenoid valve 2.000 L0059114	FESTO MSFG-24-OD-34411	24VUC,4.5W,ED:100%,IP65	
-10B1 +P	photosensor 1.000 L0053392	WENGLOR SENSORIC HW11PC3	35- 100;10-30VDC;0.6kHz	
-10B2 +P	photosensor 1.000 L0053392	WENGLOR SENSORIC HW11PC3	35- 100;10-30VDC;0.6kHz	
-10B3 +P	magnetic switch 1.000 L0752980	BALLUFF BMF 32M-NS-C2-S49	10-30VDC;0.02kHz	
-10B4 +P	magnetic switch 1.000 L0752980	BALLUFF BMF 32M-NS-C2-S49	10-30VDC;0.02kHz	
-10Y1 +P	solenoid valve 2.000 L0059114	FESTO MSFG-24-OD-34411	24VUC,4.5W,ED:100%,IP65	
-15B1 +P	photosensor 1.000 L0053392	WENGLOR SENSORIC HW11PC3	35- 100;10-30VDC;0.6kHz	
-15B2 +P	photosensor 1.000 L0053392	WENGLOR SENSORIC HW11PC3	35- 100;10-30VDC;0.6kHz	
-15B3 +P	magnetic switch 1.000 L0752980	BALLUFF BMF 32M-NS-C2-S49	10-30VDC;0.02kHz	
-15B4 +P	magnetic switch 1.000 L0752980	BALLUFF BMF 32M-NS-C2-S49	10-30VDC;0.02kHz	
-15Y1 +P	solenoid valve 2.000 L0059114	FESTO MSFG-24-OD-34411	24VUC,4.5W,ED:100%,IP65	
-20B1 +P	photosensor 1.000 L0053392	WENGLOR SENSORIC HW11PC3	35- 100;10-30VDC;0.6kHz	
-20B2 +P	photosensor 1.000 L0053392	WENGLOR SENSORIC HW11PC3	35- 100;10-30VDC;0.6kHz	
-20B3 +P	magnetic switch 1.000 L0752980	BALLUFF BMF 32M-NS-C2-S49	10-30VDC;0.02kHz	
-20B4 +P	magnetic switch 1.000 L0752980	BALLUFF BMF 32M-NS-C2-S49	10-30VDC;0.02kHz	
-20Y1	solenoid valve	FESTO	24VUC,4.5W,ED:100%,IP65	
filter: (not ("I"\$GERAET)and(SYMBOLTYP<>"7")and(SYMBOLTYP<			(C) De La Rue Giori S.A.	
format: GLGBNH	desig: A233HANS	dated: 16.7.1997	page:53	next page:54

EQUIPMENT LIST

machine number: 621007un high item designation: =P

item inst.place	designation quantity part.no.	manufacturer type/order no.	technical data
+P	2.000 L0059114	MSFG-24-OD-34411	
-25B1 +P	photosensor 1.000 L0053392	WENGLOR SENSORIC HW11PC3	35- 100;10-30VDC;0.6kHz
-25B2 +P	photosensor 1.000 L0053392	WENGLOR SENSORIC HW11PC3	35- 100;10-30VDC;0.6kHz
-25B3 +P	magnetic switch 1.000 L0752980	BALLUFF BMF 32M-NS-C2-S49	10-30VDC;0.02kHz
-25B4 +P	magnetic switch 1.000 L0752980	BALLUFF BMF 32M-NS-C2-S49	10-30VDC;0.02kHz
-25Y1 +P	solenoid valve 2.000 L0059114	FESTO MSFG-24-OD-34411	24VUC, 4.5W, ED:100%, IP65
-30B1 +P	photosensor 1.000 L0053392	WENGLOR SENSORIC HW11PC3	35- 100;10-30VDC;0.6kHz
-30B2 +P	photosensor 1.000 L0053392	WENGLOR SENSORIC HW11PC3	35- 100;10-30VDC;0.6kHz
-30B3 +P	magnetic switch 1.000 L0752980	BALLUFF BMF 32M-NS-C2-S49	10-30VDC;0.02kHz
-30B4 +P	magnetic switch 1.000 L0752980	BALLUFF BMF 32M-NS-C2-S49	10-30VDC;0.02kHz
-30Y1 +P	solenoid valve 2.000 L0059114	FESTO MSFG-24-OD-34411	24VUC, 4.5W, ED:100%, IP65
-35B1 +P	photosensor 1.000 L0053392	WENGLOR SENSORIC HW11PC3	35- 100;10-30VDC;0.6kHz
-35B2 +P	photosensor 1.000 L0053392	WENGLOR SENSORIC HW11PC3	35- 100;10-30VDC;0.6kHz
-35B3 +P	magnetic switch 1.000 L0752980	BALLUFF BMF 32M-NS-C2-S49	10-30VDC;0.02kHz
-35B4 +P	magnetic switch 1.000 L0752980	BALLUFF BMF 32M-NS-C2-S49	10-30VDC;0.02kHz
-35Y1 +P	solenoid valve 2.000 L0059114	FESTO MSFG-24-OD-34411	24VUC, 4.5W, ED:100%, IP65
-40B2 +P	photosensor 1.000 L0053392	WENGLOR SENSORIC HW11PC3	35- 100;10-30VDC;0.6kHz
-40B3 +P	magnetic switch 1.000 L0752980	BALLUFF BMF 32M-NS-C2-S49	10-30VDC;0.02kHz
-40B4 +P	magnetic switch 1.000 L0752980	BALLUFF BMF 32M-NS-C2-S49	10-30VDC;0.02kHz
-40Y1 +P	solenoid valve 2.000 L0059114	FESTO MSFG-24-OD-34411	24VUC, 4.5W, ED:100%, IP65
-50E1 +P	accessory/special 1.000 L0752232	PFANNENBERG DWBS WEISS	24VDC, 0.15A, 3.6W, IP54, 1HZ; 66mm *235mm*50mm
-50K1 +P1S	contactor/relay 1.000 L0052512	WAGO 286-304/002-000	Ub:24V;DC;Phal:0.53VA;S-el:1W; Us:250V;Ps:250V/7A 2*6POLS 0.08-2.5MM2
-50S1 +P	accessory/special 1.000 L0720097	WAGO 280-609	
-50S1 +P	limit/posit.switch 1.000 L0752641	SCHMERSAL AZ15ZVRK	230VAC;4A
-50S1 +P	accessory/special 1.000 L0752642	SCHMERSAL B1	56*28*16MM
-50S2 +P	limit/posit.switch 1.000 L0752641	SCHMERSAL AZ15ZVRK	230VAC;4A

filter: (not ("I"\$GERAET) and (SYMBOLTYP<>"7") and (SYMBOLTYP<

(C) De La Rue Giori S.A.

format: GLGBNH

desig: A233HANS

dated: 16.7.1997

page:54

next page:55

EQUIPMENT LIST machine number: 621007un high item designation: =P

item inst.place	designation quantity part.no.	manufacturer type/order no.	technical data
	accessory/special 1.000 L0752642	SCHMERSAL B1	56*28*16MM
-50S3 +P	limit/posit.switch 1.000 L0752641	SCHMERSAL AZ15ZVRK	230VAC;4A
	accessory/special 1.000 L0752642	SCHMERSAL B1	56*28*16MM
-55S1 +P1ST	switch/knob button 1.000 L0751826	ELAN EDS16-STANDARD	22.5
	contact element 1.000 L0751781	ELAN EF103.1	22.5;230VAC;10A
	shield 1.000 L0852359	BRAUNE -	d:22.5mm
-55Y1 +P	solenoid valve 1.000 L0059114	FESTO MSFG-24-OD-34411	24VUC,4.5W,ED:100%,IP65
-60B1 +P	photosensor 1.000 L0053392	WENGLOR SENSORIC HW11PC3	35- 100;10-30VDC;0.6kHz
-90D1 +P1S	cpu/memory/funct.u 1.000 L0055976	ABB 07KT93R161	ARC./CS31;24VDC,ARCNET,24/16BI
	plug/socket 1.000 L0756703	TELEGAERTNER BU-STI-BU	N.IN-/OUTPUT 1pol.
-90R1 +P1S	resistor 1.000 L0756702	TELEGAERTNER J01006A1373	930hm
-90R2 +P1S	resistor 1.000 L0058243	SPOERLE PR01	1200hm5%;1W
-91D1 +P1S	in-/output unit 1.000 L0055977	ABB ICDG32L1	CS31;16IN-,8OUT-PUTS,0.5A,8I/O
-92D1 +P1S	in-/output unit 1.000 L0055977	ABB ICDG32L1	CS31;16IN-,8OUT-PUTS,0.5A,8I/O
-92R1 +P1S	resistor 1.000 L0058243	SPOERLE PR01	1200hm5%;1W

filter: (not ("I"\$GERAET) and (SYMBOLTYP<>"7") and (SYMBOLTYP< (C) De La Rue Giori S.A.

format: GLGBNH

desig: A233HANS

dated: 16.7.1997

page:55

next page:56

EQUIPMENT LIST		machine number: 621007un		high item designation: =R
item	designation	manufacturer	technical data	
inst.place	quantity part.no.	type/order no.		
-1A1 +R	sensor, monitor 1.000 L0065890	KBA N.Z.	20-500°C	
* -1A1-1B4 +R	sensor, monitor 1.000 L0053812	DEGUSSA A51-1031-810212, PT	PT100, T.MAX:500°C, D=2.8MM	
-1B1 +R	photosensor 1.000 L0053394	WENGLOR SENSORIC LW86PCV3	0- 3500;10-30VDC;PNP;0.6kHz	
-1B2 +RA1	photosensor 1.000 L0053466	DATALOGIC TL80-011L 103567	9;10-30VDC;PNP;10kHz	
-1B3 +RA1	photosensor 1.000 L0053463	DATALOGIC S5-5-L2-90	0- 15 GEGEN DUNKLEN GEGENS TAND;10-30VDC;PNP;0.17kHz	
-1E1 +RA1	heater/heating uni 1.000 L0065900	KBA N.Z.	220V;0.27A;60W	
-1H1 +R2S	signal lamp/holder 1.000 L0850149 bulb/led 1.000 L0850496	RAFI 1.60502.091 OSRAM 3626	250V;UC;2W;E10 E10;3.7V	
* 1M1 +RA1	motor AC 1.000 L0051312	DUNKER DR62.1*30.2	3ph;230/400V +-5%, 50HZ, 0,09A, 1 9W;0.069Nm	
-1Y2 +R2S	solenoid valve 1.000 L0059114	FESTO MSFG-24-OD-34411	24VUC, 4.5W, ED:100%, IP65	
* -5X1 +R	adapter/plug eleme 1.000 L0851090 plug/socket 8.000 L0752978	MURRELEKTRONIK MVSS-AS-276208 MURRELEKTRONIK 27635	Un:24V;In:2 (50VA)A;Ans:8+1 5pol.;250V;3A;0.75mm2;M12	
-5Y1 +R	solenoid valve 1.000 L0059114	FESTO MSFG-24-OD-34411	24VUC, 4.5W, ED:100%, IP65	
-5Y2 +R1S	solenoid valve 1.000 L0059114	FESTO MSFG-24-OD-34411	24VUC, 4.5W, ED:100%, IP65	
-5Y3 +R1S	solenoid valve 1.000 L0059114	FESTO MSFG-24-OD-34411	24VUC, 4.5W, ED:100%, IP65	
-10B1 +R	photosensor 1.000 L0053394	WENGLOR SENSORIC LW86PCV3	0- 3500;10-30VDC;PNP;0.6kHz	
-10B2 +RA2	photosensor 1.000 L0053466	DATALOGIC TL80-011L 103567	9;10-30VDC;PNP;10kHz	
-10B3 +RA2	photosensor 1.000 L0053463	DATALOGIC S5-5-L2-90	0- 15 GEGEN DUNKLEN GEGENS TAND;10-30VDC;PNP;0.17kHz	
-10E1 +RA2	heater/heating uni 1.000 L0065900	KBA N.Z.	220V;0.27A;60W	
-10H1 +R2S	signal lamp/holder 1.000 L0850149 bulb/led 1.000 L0850496	RAFI 1.60502.091 OSRAM 3626	250V;UC;2W;E10 E10;3.7V	
-10M1 +RA2	motor AC 1.000 L0051312	DUNKER DR62.1*30.2	3ph;230/400V +-5%, 50HZ, 0,09A, 1 9W;0.069Nm	
-10Y2 +R2S	solenoid valve 1.000 L0059114	FESTO MSFG-24-OD-34411	24VUC, 4.5W, ED:100%, IP65	
-15Y1 +R	solenoid valve 1.000 L0059114	FESTO MSFG-24-OD-34411	24VUC, 4.5W, ED:100%, IP65	
-15Y2 +R1S	solenoid valve 1.000 L0059114	FESTO MSFG-24-OD-34411	24VUC, 4.5W, ED:100%, IP65	
-15Y3 +R1S	solenoid valve 1.000 L0059114	FESTO MSFG-24-OD-34411	24VUC, 4.5W, ED:100%, IP65	

filter: (not ("I"\$GERAET) and (SYMBOLTYP<>"7") and (SYMBOLTYP< (C) De La Rue Giori S.A.

format: GLGBNH

desig: A233HANS

dated: 16.7.1997

page:56

next page:57

EQUIPMENT LIST		machine number: 621007un		high item designation: =R
item inst.place	designation quantity part.no.	manufacturer type/order no.	technical data	
-20B1 +R	photosensor 1.000 L0053394	WENGLOR SENSORIC LW86PCV3	0- 3500;10-30VDC;PNP;0.6kHz	
-20B2 +RA3	photosensor 1.000 L0053466	DATALOGIC TL80-011L 103567	9;10-30VDC;PNP;10kHz	
-20B3 +RA3	photosensor 1.000 L0053463	DATALOGIC S5-5-L2-90	0- 15 GEGEN DUNKLEN GEGENS TAND;10-30VDC;PNP;0.17kHz	
-20E1 +RA3	heater/heating uni 1.000 L0065900	KBA N.Z.	220V;0.27A;60W	
-20H1 +R2S	signal lamp/holder 1.000 L0850149	RAFI 1.60502.091	250V;UC;2W;E10	
	bulb/led 1.000 L0850496	OSRAM 3626	E10;3.7V	
-20M1 +RA3	motor AC 1.000 L0051312	DUNKER DR62.1*30.2	3ph;230/400V +-5%,50HZ,0,09A,1 9W;0.069Nm	
-20Y2 +R2S	solenoid valve 1.000 L0059114	FESTO MSFG-24-OD-34411	24VUC,4.5W,ED:100%,IP65	
-25Y1 +R	solenoid valve 1.000 L0059114	FESTO MSFG-24-OD-34411	24VUC,4.5W,ED:100%,IP65	
-25Y2 +R1S	solenoid valve 1.000 L0059114	FESTO MSFG-24-OD-34411	24VUC,4.5W,ED:100%,IP65	
-25Y3 +R1S	solenoid valve 1.000 L0059114	FESTO MSFG-24-OD-34411	24VUC,4.5W,ED:100%,IP65	
-30B1 +R	photosensor 1.000 L0053394	WENGLOR SENSORIC LW86PCV3	0- 3500;10-30VDC;PNP;0.6kHz	
-30B2 +RA4	photosensor 1.000 L0053466	DATALOGIC TL80-011L 103567	9;10-30VDC;PNP;10kHz	
-30B3 +RA4	photosensor 1.000 L0053463	DATALOGIC S5-5-L2-90	0- 15 GEGEN DUNKLEN GEGENS TAND;10-30VDC;PNP;0.17kHz	
-30E1 +RA4	heater/heating uni 1.000 L0065900	KBA N.Z.	220V;0.27A;60W	
-30H1 +R2S	signal lamp/holder 1.000 L0850149	RAFI 1.60502.091	250V;UC;2W;E10	
	bulb/led 1.000 L0850496	OSRAM 3626	E10;3.7V	
-30M1 +RA4	motor AC 1.000 L0051312	DUNKER DR62.1*30.2	3ph;230/400V +-5%,50HZ,0,09A,1 9W;0.069Nm	
-30Y2 +R2S	solenoid valve 1.000 L0059114	FESTO MSFG-24-OD-34411	24VUC,4.5W,ED:100%,IP65	
-35Y1 +R	solenoid valve 1.000 L0059114	FESTO MSFG-24-OD-34411	24VUC,4.5W,ED:100%,IP65	
-35Y2 +R1S	solenoid valve 1.000 L0059114	FESTO MSFG-24-OD-34411	24VUC,4.5W,ED:100%,IP65	
-35Y3 +R1S	solenoid valve 1.000 L0059114	FESTO MSFG-24-OD-34411	24VUC,4.5W,ED:100%,IP65	
-40B1 +R	photosensor 1.000 L0053394	WENGLOR SENSORIC LW86PCV3	0- 3500;10-30VDC;PNP;0.6kHz	
-40B2 +RA5	photosensor 1.000 L0053466	DATALOGIC TL80-011L 103567	9;10-30VDC;PNP;10kHz	
-40B3 +RA5	photosensor 1.000 L0053463	DATALOGIC S5-5-L2-90	0- 15 GEGEN DUNKLEN GEGENS TAND;10-30VDC;PNP;0.17kHz	
-40E1	heater/heating uni	KBA	220V;0.27A;60W	

filter: (not ("I"\$GERAET) and (SYMBOLTYP<>"7") and (SYMBOLTYP< (C) De La Rue Giori S.A.

EQUIPMENT LIST		machine number: 621007un high item designation: =R		
item	designation	manufacturer	technical data	
inst.place	quantity	part.no.	type/order no.	
+RA5	1.000	L0065900	N.Z.	
-40H1	signal lamp/holder	RAFI		250V;UC;2W;E10
+R2S	1.000	L0850149	1.60502.091	
	bulb/led	OSRAM		E10;3.7V
	1.000	L0850496	3626	
-40M1	motor AC	DUNKER		3ph;230/400V +-5%,50HZ,0,09A,1
+RA5	1.000	L0051312	DR62.1*30.2	9W;0.069Nm
-40Y2	solenoid valve	FESTO		24VUC,4.5W,ED:100%,IP65
+R2S	1.000	L0059114	MSFG-24-OD-34411	
-45Y1	solenoid valve	FESTO		24VUC,4.5W,ED:100%,IP65
+R	1.000	L0059114	MSFG-24-OD-34411	
-45Y2	solenoid valve	FESTO		24VUC,4.5W,ED:100%,IP65
+R1S	1.000	L0059114	MSFG-24-OD-34411	
-45Y3	solenoid valve	FESTO		24VUC,4.5W,ED:100%,IP65
+R1S	1.000	L0059114	MSFG-24-OD-34411	
-50B1	photosensor	WENGLOR SENSORIC		0- 3500;10-30VDC;PNP;0.6kHz
+R	1.000	L0053394	LW86PCV3	
-50B2	photosensor	DATALOGIC		9;10-30VDC;PNP;10kHz
+RA6	1.000	L0053466	TL80-011L 103567	
-50B3	photosensor	DATALOGIC		0- 15 GEGEN DUNKLEN GEGENS
+RA6	1.000	L0053463	S5-5-L2-90	TAND;10-30VDC;PNP;0.17kHz
-50E1	heater/heating uni	KBA		220V;0.27A;60W
+RA6	1.000	L0065900	N.Z.	
-50H1	signal lamp/holder	RAFI		250V;UC;2W;E10
+R2S	1.000	L0850149	1.60502.091	
	bulb/led	OSRAM		E10;3.7V
	1.000	L0850496	3626	
-50M1	motor AC	DUNKER		3ph;230/400V +-5%,50HZ,0,09A,1
+RA6	1.000	L0051312	DR62.1*30.2	9W;0.069Nm
-50Y2	solenoid valve	FESTO		24VUC,4.5W,ED:100%,IP65
+R2S	1.000	L0059114	MSFG-24-OD-34411	
-55Y1	solenoid valve	FESTO		24VUC,4.5W,ED:100%,IP65
+R	1.000	L0059114	MSFG-24-OD-34411	
-55Y2	solenoid valve	FESTO		24VUC,4.5W,ED:100%,IP65
+R1S	1.000	L0059114	MSFG-24-OD-34411	
-55Y3	solenoid valve	FESTO		24VUC,4.5W,ED:100%,IP65
+R1S	1.000	L0059114	MSFG-24-OD-34411	
-60B1	photosensor	WENGLOR SENSORIC		0- 3500;10-30VDC;PNP;0.6kHz
+R	1.000	L0053394	LW86PCV3	
-60B2	photosensor	DATALOGIC		9;10-30VDC;PNP;10kHz
+RA7	1.000	L0053466	TL80-011L 103567	
-60B3	photosensor	DATALOGIC		0- 15 GEGEN DUNKLEN GEGENS
+RA7	1.000	L0053463	S5-5-L2-90	TAND;10-30VDC;PNP;0.17kHz
-60E1	heater/heating uni	KBA		220V;0.27A;60W
+RA7	1.000	L0065900	N.Z.	
-60H1	signal lamp/holder	RAFI		250V;UC;2W;E10
+R2S	1.000	L0850149	1.60502.091	
	bulb/led	OSRAM		E10;3.7V
	1.000	L0850496	3626	
-60M1	motor AC	DUNKER		3ph;230/400V +-5%,50HZ,0,09A,1
+RA7	1.000	L0051312	DR62.1*30.2	9W;0.069Nm

filter: (not ("I"\$GERAET)and(SYMBOLTYP<>"7")and(SYMBOLTYP< (C) De La Rue Giori S.A.

format: GLGBNH desig: A233HANS dated: 16.7.1997 page:58 next page:59

EQUIPMENT LIST machine number: 621007un high item designation: =R

item inst.place	designation quantity	part.no.	manufacturer type/order no.	technical data
-60Y2 +R2S	solenoid valve 1.000	L0059114	FESTO MSFG-24-OD-34411	24VUC, 4.5W, ED:100%, IP65
-65Y1 +R	solenoid valve 1.000	L0059114	FESTO MSFG-24-OD-34411	24VUC, 4.5W, ED:100%, IP65
-65Y2 +R1S	solenoid valve 1.000	L0059114	FESTO MSFG-24-OD-34411	24VUC, 4.5W, ED:100%, IP65
-65Y3 +R1S	solenoid valve 1.000	L0059114	FESTO MSFG-24-OD-34411	24VUC, 4.5W, ED:100%, IP65
-70B1 +R	photosensor 1.000	L0053394	WENGLOR SENSORIC LW86PCV3	0- 3500;10-30VDC;PNP;0.6kHz
-70B2 +RA8	photosensor 1.000	L0053466	DATALOGIC TL80-011L 103567	9;10-30VDC;PNP;10kHz
-70B3 +RA8	photosensor 1.000	L0053463	DATALOGIC S5-5-L2-90	0- 15 GEGEN DUNKLEN GEGENS TAND;10-30VDC;PNP;0.17kHz
-70E1 +RA8	heater/heating uni 1.000	L0065900	KBA N.Z.	220V;0.27A;60W
-70H1 +R2S	signal lamp/holder 1.000	L0850149	RAFI 1.60502.091	250V;UC;2W;E10
	bulb/led 1.000	L0850496	OSRAM 3626	E10;3.7V
-70M1 +RA8	motor AC 1.000	L0051312	DUNKER DR62.1*30.2	3ph;230/400V +-5%,50HZ,0,09A,1 9W;0.069Nm
-70Y2 +R2S	solenoid valve 1.000	L0059114	FESTO MSFG-24-OD-34411	24VUC, 4.5W, ED:100%, IP65
-75Y1 +R	solenoid valve 1.000	L0059114	FESTO MSFG-24-OD-34411	24VUC, 4.5W, ED:100%, IP65
-75Y2 +R1S	solenoid valve 1.000	L0059114	FESTO MSFG-24-OD-34411	24VUC, 4.5W, ED:100%, IP65
-75Y3 +R1S	solenoid valve 1.000	L0059114	FESTO MSFG-24-OD-34411	24VUC, 4.5W, ED:100%, IP65
-85F1 +E1S	prot.motor switch 1.000	L0057713	KLOECKNER-MOELLER PKZM1-0,6	0.4-0.6A;690V
	accessory/special 1.000	L0057723	KLOECKNER-MOELLER NHI11-PKZM1	UE:500V,AMAX.6,1S10,AQ:2.5
-85F2 +E1S	filter 1.000	L0052874	MURRELEKTRONIK VG-BC6/24	1ph;24VAC24VDC
-85K1 +E1S	contactor/relay 1.000	L0052021	ABB BC7-30-10	Ub:19-26V;DC;Phal:3.5VA;S-el:3
	accessory/special 1.000	L0052025	ABB CAF 6-11M	H1S;Us:500V;Ps:440V/5.5KW 230VAC 4A 1S10
-85K2 +E3S	contactor/relay 1.000	L0052532	SCHRACK MT221024-25651111	Ub:20-34V;DC;Phal:1.2VA;S-el:2
	accessory/special 1.000	L0720852	KARL LUMBERG 108 PGS	W;Us:250V;Ps:250V/10A 8POL.,38*67*26MM
-85M1 +R	gear motor AC 1.000	L0051408	GETRIEBEBAU NORD SK400SUF-63L/4BRE4	3ph;415V+/-10%50/60HZ,180W, BRA KE230V;7Nm;6.75:1
-100A1 +DT5		1.000	L0066226	
-100A1-H21.1 +DT5	bulb/led 1.000	L0752219	MURRELEKTRONIK LED	24V;UC;0.3 (0.24)W
-100A1-H21.2 +DT5	bulb/led 1.000	L0752219	MURRELEKTRONIK LED	24V;UC;0.3 (0.24)W

filter: (not ("I"\$GERAET) and (SYMBOLTYP<>"7") and (SYMBOLTYP< (C) De La Rue Giori S.A.

EQUIPMENT LIST

machine number: 621007un high item designation: =R

item inst.place	designation quantity	part.no.	manufacturer type/order no.	technical data
-100A1-H22.1 +DT5	bulb/led 1.000	L0752219	MURRELEKTRONIK LED	24V;UC;0.3 (0.24)W
-100A1-H22.2 +DT5	bulb/led 1.000	L0752219	MURRELEKTRONIK LED	24V;UC;0.3 (0.24)W
-100A1-H23.1 +DT5	bulb/led 1.000	L0752219	MURRELEKTRONIK LED	24V;UC;0.3 (0.24)W
-100A1-H23.2 +DT5	bulb/led 1.000	L0752219	MURRELEKTRONIK LED	24V;UC;0.3 (0.24)W
-100A1-H24.1 +DT5	bulb/led 1.000	L0752219	MURRELEKTRONIK LED	24V;UC;0.3 (0.24)W
-100A1-H24.2 +DT5	bulb/led 1.000	L0752219	MURRELEKTRONIK LED	24V;UC;0.3 (0.24)W
-100A1-H25.1 +DT5	bulb/led 1.000	L0752219	MURRELEKTRONIK LED	24V;UC;0.3 (0.24)W
-100A1-H25.2 +DT5	bulb/led 1.000	L0752219	MURRELEKTRONIK LED	24V;UC;0.3 (0.24)W
-100A1-H26.1 +DT5	bulb/led 1.000	L0752219	MURRELEKTRONIK LED	24V;UC;0.3 (0.24)W
-100A1-H26.2 +DT5	bulb/led 1.000	L0752219	MURRELEKTRONIK LED	24V;UC;0.3 (0.24)W
-100A1-H27.1 +DT5	bulb/led 1.000	L0752219	MURRELEKTRONIK LED	24V;UC;0.3 (0.24)W
-100A1-H27.2 +DT5	bulb/led 1.000	L0752219	MURRELEKTRONIK LED	24V;UC;0.3 (0.24)W
-100A1-H28.1 +DT5	bulb/led 1.000	L0752219	MURRELEKTRONIK LED	24V;UC;0.3 (0.24)W
-100A1-H28.2 +DT5	bulb/led 1.000	L0752219	MURRELEKTRONIK LED	24V;UC;0.3 (0.24)W
-100A1-H37 +DT5	signal lamp/holder 1.000 signal lamp/holder 1.000 bulb/led 1.000	L0751777 L0751784 L0752327	ELAN EMLH ROT ELAN EL 0280190 BARTHELME KRI/23	24V;UC;2W;BA9S 250V;UC;BA9S BA9S;30V;2W
-100A1-S11 +DT5	switch/knob button 1.000 contact element 1.000 shield 1.000	L0751719 L0751742 L0751767	ELAN EDRR40RT+EFR ELAN EF220.1 ELAN MDP-8	22.5 22.5;400VAC;4A d:22.5mm
-100A1-S12 +DT5	switch/knob button 1.000 contact element 1.000 shield 1.000	L0751805 L0751781 L0840999	ELAN EDT KB ELAN EF103.1 ELAN E-KB-9.1	22.5 22.5;230VAC;10A d:18.9mm
-100A1-S13 +DT5	switch/knob button 1.000 contact element 1.000 shield 1.000	L0751805 L0751781 L0840999	ELAN EDT KB ELAN EF103.1 ELAN E-KB-9.1	22.5 22.5;230VAC;10A d:18.9mm
-100A1-S14 +DT5	switch/knob button 1.000 contact element 1.000	L0751805 L0751781	ELAN EDT KB ELAN EF103.1	22.5 22.5;230VAC;10A

filter: (not ("I"\$GERAET)and(SYMBOLTYP<>"7")and(SYMBOLTYP< (C) De La Rue Giori S.A.

format: GLGBNH

desig: A233HANS

dated: 16.7.1997

page:60

next page:61

EQUIPMENT LIST

machine number: 621007un high item designation: =R

item inst.place	designation quantity	part.no.	manufacturer type/order no.	technical data
	shield	1.000 L0840999	ELAN E-KB-9.1	d:18.9mm
-100A1-S15 +DT5	switch/knob button	1.000 L0751705	ELAN EWS21,1KB__2STELLIG	22.5
	contact element	1.000 L0751781	ELAN EF103.1	22.5;230VAC;10A
	shield	1.000 L0840999	ELAN E-KB-9.1	d:18.9mm
-100A1-S16 +DT5	switch/knob button	1.000 L0751705	ELAN EWS21,1KB__2STELLIG	22.5
	contact element	1.000 L0751781	ELAN EF103.1	22.5;230VAC;10A
	shield	1.000 L0840999	ELAN E-KB-9.1	d:18.9mm
-100A1-S17 +DT5	switch/knob button	1.000 L0751805	ELAN EDT KB	22.5
	contact element	1.000 L0751781	ELAN EF103.1	22.5;230VAC;10A
	shield	1.000 L0840999	ELAN E-KB-9.1	d:18.9mm
-100A1-S18 +DT5	switch/knob button	1.000 L0751805	ELAN EDT KB	22.5
	contact element	1.000 L0751781	ELAN EF103.1	22.5;230VAC;10A
	shield	1.000 L0840999	ELAN E-KB-9.1	d:18.9mm
-100A1-S21 +DT5	switch/knob button	1.000 L0751727	ELAN EDL WS KB	22.5
	contact element	1.000 L0751781	ELAN EF103.1	22.5;230VAC;10A
	signal lamp/holder	1.000 L0751784	ELAN EL 0280190	250V;UC;BA9S
	bulb/led	1.000 L0752327	BARTHELME KRI/23	BA9S;30V;2W
	shield	1.000 L0841274	ELAN E-KB-9.0	d:18.9mm
-100A1-S22 +DT5	switch/knob button	1.000 L0751727	ELAN EDL WS KB	22.5
	contact element	1.000 L0751781	ELAN EF103.1	22.5;230VAC;10A
	signal lamp/holder	1.000 L0751784	ELAN EL 0280190	250V;UC;BA9S
	bulb/led	1.000 L0752327	BARTHELME KRI/23	BA9S;30V;2W
	shield	1.000 L0841274	ELAN E-KB-9.0	d:18.9mm
-100A1-S23 +DT5	switch/knob button	1.000 L0751727	ELAN EDL WS KB	22.5
	contact element	1.000 L0751781	ELAN EF103.1	22.5;230VAC;10A
	signal lamp/holder	1.000 L0751784	ELAN EL 0280190	250V;UC;BA9S
	bulb/led	1.000 L0752327	BARTHELME KRI/23	BA9S;30V;2W
	shield	1.000 L0841274	ELAN E-KB-9.0	d:18.9mm
-100A1-S24 +DT5	switch/knob button	1.000 L0751727	ELAN EDL WS KB	22.5
	contact element	1.000 L0751781	ELAN EF103.1	22.5;230VAC;10A
	signal lamp/holder	1.000 L0751784	ELAN EL 0280190	250V;UC;BA9S
	bulb/led	1.000 L0752327	BARTHELME KRI/23	BA9S;30V;2W
	shield	1.000 L0841274	ELAN E-KB-9.0	d:18.9mm

filter: (not ("I"\$GERAET)and(SYMBOLTYP<>"7")and(SYMBOLTYP<

format: GLGBNH

desig: A233HANS

dated: 16.7.1997

page:61

next page:62

(C) De La Rue Giori S.A.

EQUIPMENT LIST machine number: 621007un high item designation: =R

item inst.place	designation quantity part.no.	manufacturer type/order no.	technical data
-100A1-S25 +DT5	switch/knob button	ELAN	22.5
	1.000 L0751727	EDL WS KB	
	contact element	ELAN	22.5;230VAC;10A
	1.000 L0751781	EF103.1	
	signal lamp/holder	ELAN	250V;UC;BA9S
	1.000 L0751784	EL 0280190	
	bulb/led	BARTHELME	BA9S;30V;2W
1.000 L0752327	KRI/23		
shield	ELAN	d:18.9mm	
1.000 L0841274	E-KB-9.0		
-100A1-S26 +DT5	switch/knob button	ELAN	22.5
	1.000 L0751727	EDL WS KB	
	contact element	ELAN	22.5;230VAC;10A
	1.000 L0751781	EF103.1	
	signal lamp/holder	ELAN	250V;UC;BA9S
	1.000 L0751784	EL 0280190	
	bulb/led	BARTHELME	BA9S;30V;2W
1.000 L0752327	KRI/23		
shield	ELAN	d:18.9mm	
1.000 L0841274	E-KB-9.0		
-100A1-S27 +DT5	switch/knob button	ELAN	22.5
	1.000 L0751727	EDL WS KB	
	contact element	ELAN	22.5;230VAC;10A
	1.000 L0751781	EF103.1	
	signal lamp/holder	ELAN	250V;UC;BA9S
	1.000 L0751784	EL 0280190	
	bulb/led	BARTHELME	BA9S;30V;2W
1.000 L0752327	KRI/23		
shield	ELAN	d:18.9mm	
1.000 L0841274	E-KB-9.0		
-100A1-S28 +DT5	switch/knob button	ELAN	22.5
	1.000 L0751727	EDL WS KB	
	contact element	ELAN	22.5;230VAC;10A
	1.000 L0751781	EF103.1	
	signal lamp/holder	ELAN	250V;UC;BA9S
	1.000 L0751784	EL 0280190	
	bulb/led	BARTHELME	BA9S;30V;2W
1.000 L0752327	KRI/23		
shield	ELAN	d:18.9mm	
1.000 L0841274	E-KB-9.0		
-100A1-S31 +DT5	switch/knob button	ELAN	22.5
	1.000 L0751805	EDT KB	
	contact element	ELAN	22.5;230VAC;10A
	1.000 L0751781	EF103.1	
shield	ELAN	d:18.9mm	
1.000 L0840999	E-KB-9.1		
-100A1-S32 +DT5	switch/knob button	ELAN	22.5
	1.000 L0751805	EDT KB	
	contact element	ELAN	22.5;230VAC;10A
	1.000 L0751781	EF103.1	
shield	ELAN	d:18.9mm	
1.000 L0840999	E-KB-9.1		
-100A1-S33 +DT5	switch/knob button	ELAN	22.5
	1.000 L0751805	EDT KB	
	contact element	ELAN	22.5;230VAC;10A
	1.000 L0751781	EF103.1	
shield	ELAN	d:18.9mm	
1.000 L0840999	E-KB-9.1		
-100A1-S34 +DT5	switch/knob button	ELAN	22.5
	1.000 L0751805	EDT KB	
	contact element	ELAN	22.5;230VAC;10A
	1.000 L0751781	EF103.1	
shield	ELAN	d:18.9mm	
1.000 L0840999	E-KB-9.1		
-100A1-S35 +DT5	switch/knob button	ELAN	22.5
	1.000 L0751805	EDT KB	

filter: (not ("I"\$GERAET) and (SYMBOLTYP<>"7") and (SYMBOLTYP< (C) De La Rue Giori S.A.

format: GLGBNH

desig: A233HANS

dated: 16.7.1997

page:62

next page:63

EQUIPMENT LIST		machine number: 621007un		high item designation: =R
item	designation	manufacturer	technical data	
inst.place	quantity part.no.	type/order no.		
	contact element	ELAN	22.5;230VAC;10A	
	1.000 L0751781	EF103.1		
	shield	ELAN	d:18.9mm	
	1.000 L0840999	E-KB-9.1		
-100A1-S36 +DT5	contact element	ELAN	22.5;400VAC;6A	
	1.000 L0751738	EF110.1		
	switch/knob button	ELAN	22.5	
	1.000 L0751779	EDR35ROTGB		
-100A1-S38 +DT5	switch/knob button	ELAN	22.5	
	1.000 L0751805	EDT KB		
	contact element	ELAN	22.5;230VAC;10A	
	1.000 L0751781	EF103.1		
	shield	ELAN	d:18.9mm	
	1.000 L0840999	E-KB-9.1		
-120F1 +E1S	fuse cartridge	MAINLAND GMBH	DII;T16A;500V	
	3.000 L0755440	DIN49515-DIIGL* 16*		
	accessory/special	RITTAL	E27,3POL,42*230MM,F.SV3427	
	1.000 L0754157	SV3428		
	screwed cap	FEGA GMBH	E27;25A;500V	
	3.000 L0754600	DIN49514-DII-500		
	fuse insert	MAINLAND GMBH	E27;16A	
	3.000 L0754740	DIN49516-DII*16		
	fuse holder	RITTAL	E27;3pol;25A;500V	
	1.000 L0754156	SV3427		
-120F2 +E1S	monitoring device	SIEMENS	19-29V;DC	
	1.000 L0057781	3UN2100-0AB4		
-120K1 +E1S	contactor/relay	ABB	Ub:19-26V;DC;Phal:3.5VA;S-el:3	
	1.000 L0052022	BC7-30-01	H10;Us:500V;Ps:440V/5.5KW	
-120K2 +E3S	contactor/relay	SCHRACK	Ub:20-34V;DC;Phal:1.2VA;S-el:2	
	1.000 L0052532	MT221024-25651111	W;Us:250V;Ps:250V/10A	
	accessory/special	KARL LUMBERG	8POL.,38*67*26MM	
	1.000 L0720852	108 PGS		
*-120M1 +R	gear motor AC	SEW EURODRIVE	3ph;240/415V*10%50HZ,2.92/1,69	
	1.000 L0051478	S42DT80K4BM/HF/TF	A,550W;60Nm;17.9:1	
*-120N1 +E1S	frequency converte	SEW EURODRIVE	3ph;Ue:280-460V;f:50/60Hz;Ua:4	
	1.000 L0052994	1015-403-4-00	00Vfa:2-127Hz;In:4A;P.mot:1.5k	
-120V1 +E3S	solid state relay	BDT	Ub:24Vf:DCHz;Us:24VIs:4A	
	1.000 L0056085	84-270		
-125S1 +R	accessory/special	HONEYWELL	PG9,53.5*24.5*21MM	
	1.000 L0752807	5PA-PG9-1		
	limit/posit.switch	HONEYWELL	380VAC;15A	
	1.000 L0752801	BZ-2RW 82255-A2		
-125S2 +R	accessory/special	HONEYWELL	PG9,53.5*24.5*21MM	
	1.000 L0752807	5PA-PG9-1		
	limit/posit.switch	HONEYWELL	380VAC;15A	
	1.000 L0752801	BZ-2RW 82255-A2		
-130B1 +R	proximity switch	IFM ELECTRONIC	0-4mm;10-55V;DC;PNP;1.3kHz	
	1.000 L0752932	IN-3004-BPKG/IN5130		
-130B2 +R	proximity switch	BALLUFF	0-3.2mm;10-30V;DC;PNP;0.4kHz	
	1.000 L0752957	BES516-356-S4C		
-130B3 +R	proximity switch	IFM ELECTRONIC	0-2mm;10-36V;DC;PNP;0.8kHz	
	1.000 L0752895	IS-3002-BPOG+AS-510T		
-130B4 +R	proximity switch	IFM ELECTRONIC	0-2mm;10-36V;DC;PNP;0.8kHz	
	1.000 L0752895	IS-3002-BPOG+AS-510T		
-130K1 +E3S	timing unit	BALLUFF	UB=UE-UA=10...30VDC,IA:<=130MA	
	1.000 L0052328	BES516-IV2	;17.5mm*90mm*58mm	
-131S1	pressure switch	VOGEL	12bar;250V;250VA	

filter: (not ("I"\$GERAET) and (SYMBOLTYP<>"7") and (SYMBOLTYP< (C) De La Rue Giori S.A.

format: GLGBNH

desig: A233HANS

dated: 16.7.1997

page:63

next page:64

EQUIPMENT LIST		machine number: 621007un high item designation: =R		
item	designation	manufacturer	technical data	
inst.place	quantity part.no.	type/order no.		
+R 13151	1.000 L0778610	P66S012M		
-132X1	adapter/plug eleme	MURRELEKTRONIK	Un:24V; In:2 (50VA) A; Ans:8+1	
+R	1.000 L0851090	MVSS-AS-276208		
	plug/socket	MURRELEKTRONIK	5pol.; 250V; 3A; 0.75mm ² ; M12	
	8.000 L0752978	27635		
-132Y1				
+R	1.000 L6698631			
-135B1	photosensor	WENGLOR SENSORIC	35- 100;10-30VDC;0.6kHz	
+R	1.000 L0053645	HD11PC3		
-135B2	photosensor	WENGLOR SENSORIC	35- 100;10-30VDC;0.6kHz	
+R	1.000 L0053645	HD11PC3		
-135B3	photosensor	WENGLOR SENSORIC	35- 100;10-30VDC;0.6kHz	
+R	1.000 L0053645	HD11PC3		
-135B4	photosensor	WENGLOR SENSORIC	35- 100;10-30VDC;0.6kHz	
+R	1.000 L0053645	HD11PC3		
-135D1	gate/logical eleme	ABB	24V;18mm*120mm*99mm	
+E3S	1.000 L0053522	R412.1		
*-135D2	gate/logical eleme	ABB	24V;20mm*88mm*109mm	
+E3S	1.000 L0053526	SIGMATRONIC B-R427.1		
-135D3	gate/logical eleme	ABB	24V;20mm*88mm*109mm	
+E3S	1.000 L0053526	SIGMATRONIC B-R427.1		
-135D4	gate/logical eleme	ABB	24V;18mm*120mm*99mm	
+E3S	1.000 L0053522	R412.1		
*-135D5	gate/logical eleme	ABB	24V;18mm*120mm*99mm	
+E3S	1.000 L0053523	R414		
-135D6	gate/logical eleme	ABB	24V;20mm*88mm*109mm	
+E3S	1.000 L0053526	SIGMATRONIC B-R427.1		
-140Y1	solenoid valve	FESTO	24VUC, 4.5W, ED:100%, IP65	
+R1S	1.000 L2670582	MSFG-24-4527		
	solenoid valve	FESTO	24VDC;100%	
	1.000 L2670752	MFH-3-1/8-24VDC 7802		
-140Y2	solenoid valve	FESTO	24VUC, 4.5W, ED:100%, IP65	
+R	1.000 L2670582	MSFG-24-4527		
	solenoid valve	FESTO	24VDC;100%	
	1.000 L2670752	MFH-3-1/8-24VDC 7802		
-145B1	shaft encoder	HENGSTLER	360S/U;GRAY-EX-Code;10-30V;DC;	
+R	1.000 L0053773	RA58-S/0360EK.32KDPG	NPN	
	cable w.plug/socke	HENGSTLER	10/2x0.14/0.5mm ² ;30m	
	1.000 L0756416	1540122		
-145D1	cpu/memory/funct.u	BDT	PROC.T300;64 CHANNELS, FOR L00	
+E4SD	1.000 L0056076	35TP90	56178	
-145N1	amplifier	BDT	Ub:24VDC; In:5V, FL.BUCHSE; Out:2	
+E3S	1.000 L0056084	84-310	4V/0.5A, FUSE:0.6A	
-145P1	digital display	BDT	Dis:LCD; Ub:24V; Awert:9999; In:B	
+E4SD	1.000 L0056075	84-240	CD-CODE	
-150B1	shaft encoder	HENGSTLER	360S/U;GRAY-EX-Code;10-30V;DC;	
+R	1.000 L0053773	RA58-S/0360EK.32KDPG	NPN	
	cable w.plug/socke	HENGSTLER	10/2x0.14/0.5mm ² ;15m	
	1.000 L0756415	1540121		
-150D1	cpu/memory/funct.u	BDT	PROC.T300;64 CHANNELS, FOR L00	
+E4SD	1.000 L0056076	35TP90	56178	
-150P1	digital display	BDT	Dis:LCD; Ub:24V; Awert:9999; In:B	
+E4SD	1.000 L0056075	84-240	CD-CODE	
filter: (not ("I"\$GERAET) and (SYMBOLTYP<>"7") and (SYMBOLTYP<			(C) De La Rue Giori S.A.	
format: GLGBNH	desig: A233HANS	dated: 16.7.1997	page:64	next page:65

EQUIPMENT LIST machine number: 621007un high item designation:

item	designation	manufacturer	technical data
inst.place	quantity	part.no.	type/order no.

filter: (not ("I"\$GERAET) and (SYMBOLTYP<>"7") and (SYMBOLTYP<	(C) De La Rue Giori S.A.			
format: GLGBNH	desig: A233HANS	dated: 16.7.1997	page:65	next page:66

EQUIPMENT LIST

machine number: 621007un high item designation: =S

item inst.place	designation quantity part.no.	manufacturer type/order no.	technical data
-1B1 +S	rotating pulse gen 1.000 L0053548 plug/socket 1.000 L0756370 accessory/special 1.000 L0053533	HEIDENHAIN ROD 426B-00131000RV1 HEIDENHAIN / ABB 29169705 / 505560 BALLUFF BDG-630-03	1000Imp/U; 5V; DC; TTL; 6mm 12pol.; 30V; 0.5A; 0.5mm ² ; SCHRAUB M? D1=12 D2=3.5 L=5.5
-1L1 +E2S	smoothing choke 1.000 L0052882	ABB GD 805	1ph; 100V; 8A; 100mH
-1M1 +S	motor DC 1.000 L0051710 accessory/special 1.000 L0053549 accessory/special 1.000 L0053551	ABB F9M4R+F9T ABB WAC 25-10-6 - 500933 ABB FPG 401 - 505757	Pn: 0.07kW; nmax: 4000min ⁻¹ ; Ua: 22 V; Ia: 6.4A; Mab: 1.15Nm D1=6 D2=10 L=30 D=110MM, L=64MM, PG9
-1N1 +E2S	speed controller 1.000 L0052973	ABB 05SM8123-95	Un: 95 (40-95) Vf: DCHz; Ua: -70/+7 0VDC; Ia: 12A; Pn: 2.1kW
-5B1 +S	proximity switch 1.000 L0752957	BALLUFF BES516-356-S4C	0-3.2mm; 10-30V; DC; PNP; 0.4kHz
-5B2 +S	proximity switch 1.000 L0752959	BALLUFF BES516-3019-S4C	0-3.2mm; 10-30V; DC; PNP; 0.4kHz
-5B3 +S	proximity switch 1.000 L0752959	BALLUFF BES516-3019-S4C	0-3.2mm; 10-30V; DC; PNP; 0.4kHz
-5X1 +S	adapter/plug eleme 1.000 L0725322 plug/socket 4.000 L0752978	MURRELEKTRONIK MVSS-J-276047 MURRELEKTRONIK 27635	Un: 24V; In: 2 (50VA) A; Ans: 4+1 5pol.; 250V; 3A; 0.75mm ² ; M12
-10B1 +S	1.000 im LVS-X		
-10X1 +S	adapter/plug eleme 1.000 L0851090 plug/socket 8.000 L0752977	MURRELEKTRONIK MVSS-AS-276208 MURRELEKTRONIK 27625	Un: 24V; In: 2 (50VA) A; Ans: 8+1 5pol.; 250V; 3A; 0.75mm ²
-15F1 +E1S	prot. motor switch 1.000 L0057713 accessory/special 1.000 L0057723	KLOECKNER-MOELLER PKZM1-0,6 KLOECKNER-MOELLER NHI11-PKZM1	0.4-0.6A; 690V UE: 500V, AMAX. 6, 1S10, AQ: 2.5
-15F2 +E1S	filter 1.000 L0052874	MURRELEKTRONIK VG-BC6/24	1ph; 24VAC/24VDC
-15K1 +E1S	contactor/relay 1.000 L0052021 accessory/special 1.000 L0052025	ABB BC7-30-10 ABB CAF 6-11M	Ub: 19-26V; DC; Phal: 3.5VA; S-el: 3 H1S; Us: 500V; Ps: 440V/5.5KW 230VAC 4A 1S10
-15K2 +E3S	contactor/relay 1.000 L0052532 accessory/special 1.000 L0720852	SCHRACK MT221024-25651111 KARL LUMBERG 108 PGS	Ub: 20-34V; DC; Phal: 1.2VA; S-el: 2 W; Us: 250V; Ps: 250V/10A 8POL., 38*67*26MM
-15M1 +S	gear motor AC 1.000 L0051409	GETRIEBEBAU NORD SK400SU-63L/4BRE4	3ph; 415V+/-10%50/60HZ, 180W, BRA KE230V; 14Nm; 15:1
-20B1 +S	proximity switch 1.000 L0752895	IFM ELECTRONIC IS-3002-BPOG+AS-510T	0-2mm; 10-36V; DC; PNP; 0.8kHz
-20B2 +S	proximity switch 1.000 L0752932	IFM ELECTRONIC IN-3004-BPKG/IN5130	0-4mm; 10-55V; DC; PNP; 1.3kHz
-25S1 +S	pressure switch 1.000 L2670640	FESTO PEV-1/4-B NR.10773	1-12bar; 250V; 25VA
-25X1 +S	adapter/plug eleme 1.000 L0851090	MURRELEKTRONIK MVSS-AS-276208	Un: 24V; In: 2 (50VA) A; Ans: 8+1

filter: (not ("I"\$GERAET) and (SYMBOLTYP<>"7") and (SYMBOLTYP< (C) De La Rue Giori S.A.

format: GLGBNH

desig: A233HANS

dated: 16.7.1997

page: 66

next page: 67

EQUIPMENT LIST machine number: 621007un high item designation: =S

item inst.place	designation quantity part.no.	manufacturer type/order no.	technical data
	plug/socket 8.000 L0752978	MURRELEKTRONIK 27635	5pol.; 250V; 3A; 0.75mm ² ; M12
-30V1 +E3S	solid state relay 1.000 L0056085	BDT 84-270	Ub:24Vf:DCHz;Us:24VIs:4A
-30V2 +E3S	solid state relay 1.000 L0056085	BDT 84-270	Ub:24Vf:DCHz;Us:24VIs:4A
-30Y1 +S	solenoid valve 1.000 L0059114	FESTO MSFG-24-OD-34411	24VUC, 4.5W, ED:100%, IP65
-30Y2 +S	solenoid valve 1.000 L0059114	FESTO MSFG-24-OD-34411	24VUC, 4.5W, ED:100%, IP65
-30Y3 +S	1.000 L6645990		
-80A1 +DT6	1.000 L0066227		
-80A1-H21 +DT6	signal lamp/holder 1.000 L0751778	ELAN EMLH GRUEN	24V;UC;2W;BA9S
	signal lamp/holder 1.000 L0751784	ELAN EL 0280190	250V;UC;BA9S
	bulb/led 1.000 L0752327	BARTHELME KRI/23	BA9S;30V;2W
-80A1-H26 +DT6	signal lamp/holder 1.000 L0751777	ELAN EMLH ROT	24V;UC;2W;BA9S
	signal lamp/holder 1.000 L0751784	ELAN EL 0280190	250V;UC;BA9S
	bulb/led 1.000 L0752327	BARTHELME KRI/23	BA9S;30V;2W
-80A1-S11 +DT6	switch/knob button 1.000 L0751706	ELAN EWT32,1KB_3STELLIG	22.5
	contact element 1.000 L0751781	ELAN EF103.1	22.5;230VAC;10A
	shield 1.000 L0840999	ELAN E-KB-9.1	d:18.9mm
	contact element 1.000 L0751782	ELAN EF103.2	22.5;230VAC;10A
-80A1-S12 +DT6	switch/knob button 1.000 L0751727	ELAN EDL WS KB	22.5
	signal lamp/holder 1.000 L0751784	ELAN EL 0280190	250V;UC;BA9S
	contact element 1.000 L0751781	ELAN EF103.1	22.5;230VAC;10A
	bulb/led 1.000 L0752327	BARTHELME KRI/23	BA9S;30V;2W
	shield 1.000 L0841274	ELAN E-KB-9.0	d:18.9mm
-80A1-S13 +DT6	switch/knob button 1.000 L0751727	ELAN EDL WS KB	22.5
	signal lamp/holder 1.000 L0751784	ELAN EL 0280190	250V;UC;BA9S
	contact element 1.000 L0751781	ELAN EF103.1	22.5;230VAC;10A
	bulb/led 1.000 L0752327	BARTHELME KRI/23	BA9S;30V;2W
	shield 1.000 L0841274	ELAN E-KB-9.0	d:18.9mm
-80A1-S14 +DT6	switch/knob button 1.000 L0751727	ELAN EDL WS KB	22.5
	signal lamp/holder 1.000 L0751784	ELAN EL 0280190	250V;UC;BA9S
	contact element 1.000 L0751781	ELAN EF103.1	22.5;230VAC;10A
	bulb/led 1.000 L0752327	BARTHELME KRI/23	BA9S;30V;2W

filter: (not ("I"\$GERAET) and (SYMBOLTYP<>"7") and (SYMBOLTYP< (C) De La Rue Giori S.A.

format: GLGBNH

desig: A233HANS

dated: 16.7.1997

page:67

next page:68

EQUIPMENT LIST machine number: 621007un high item designation: =S

item inst.place	designation quantity part.no.	manufacturer type/order no.	technical data
	shield 1.000 L0841274	ELAN E-KB-9.0	d:18.9mm
-80A1-S15 +DT6	switch/knob button 1.000 L0751727	ELAN EDL WS KB	22.5
	signal lamp/holder 1.000 L0751784	ELAN EL 0280190	250V;UC;BA9S
	contact element 1.000 L0751781	ELAN EF103.1	22.5;230VAC;10A
	bulb/led 1.000 L0752327	BARTHELME KRI/23	BA9S;30V;2W
	shield 1.000 L0841274	ELAN E-KB-9.0	d:18.9mm
-80A1-S16 +DT6	switch/knob button 1.000 L0751727	ELAN EDL WS KB	22.5
	signal lamp/holder 1.000 L0751784	ELAN EL 0280190	250V;UC;BA9S
	contact element 1.000 L0751781	ELAN EF103.1	22.5;230VAC;10A
	bulb/led 1.000 L0752327	BARTHELME KRI/23	BA9S;30V;2W
	shield 1.000 L0841274	ELAN E-KB-9.0	d:18.9mm
-80A1-S17 +DT6	switch/knob button 1.000 L0751727	ELAN EDL WS KB	22.5
	signal lamp/holder 1.000 L0751784	ELAN EL 0280190	250V;UC;BA9S
	contact element 1.000 L0751781	ELAN EF103.1	22.5;230VAC;10A
	bulb/led 1.000 L0752327	BARTHELME KRI/23	BA9S;30V;2W
	shield 1.000 L0841274	ELAN E-KB-9.0	d:18.9mm
-80A1-S22 +DT6	switch/knob button 1.000 L0751727	ELAN EDL WS KB	22.5
	signal lamp/holder 1.000 L0751784	ELAN EL 0280190	250V;UC;BA9S
	contact element 1.000 L0751781	ELAN EF103.1	22.5;230VAC;10A
	bulb/led 1.000 L0752327	BARTHELME KRI/23	BA9S;30V;2W
	shield 1.000 L0841274	ELAN E-KB-9.0	d:18.9mm
-80A1-S23 +DT6	switch/knob button 1.000 L0751727	ELAN EDL WS KB	22.5
	signal lamp/holder 1.000 L0751784	ELAN EL 0280190	250V;UC;BA9S
	contact element 1.000 L0751781	ELAN EF103.1	22.5;230VAC;10A
	bulb/led 1.000 L0752327	BARTHELME KRI/23	BA9S;30V;2W
	shield 1.000 L0841274	ELAN E-KB-9.0	d:18.9mm
-80A1-S24 +DT6	switch/knob button 1.000 L0751727	ELAN EDL WS KB	22.5
	signal lamp/holder 1.000 L0751784	ELAN EL 0280190	250V;UC;BA9S
	contact element 1.000 L0751781	ELAN EF103.1	22.5;230VAC;10A
	bulb/led 1.000 L0752327	BARTHELME KRI/23	BA9S;30V;2W
	shield 1.000 L0841274	ELAN E-KB-9.0	d:18.9mm
-80A1-S27 +DT6	switch/knob button 1.000 L0751805	ELAN EDT KB	22.5
	contact element 1.000 L0751781	ELAN EF103.1	22.5;230VAC;10A
	shield 1.000 L0841274	ELAN E-KB-9.0	d:18.9mm

filter: (not ("I"\$GERAET) and (SYMBOLTYP<>"7") and (SYMBOLTYP< (C) De La Rue Giori S.A.

format: GLGBNH

desig: A233HANS

dated: 16.7.1997

page:68

next page:69

EQUIPMENT LIST machine number: 621007un high item designation: =S

item inst.place	designation quantity part.no.	manufacturer type/order no.	technical data
	1.000 L0840999	E-KB-9.1	
-80A1-S31 +DT6	switch/knob button 1.000 L0751719	ELAN EDRR40RT+EFR	22.5
	shield 1.000 L0751767	ELAN MDP-8	d:22.5mm
	contact element 1.000 L0751742	ELAN EF220.1	22.5;400VAC;4A
-80A1-S32 +DT6	switch/knob button 1.000 L0751727	ELAN EDL WS KB	22.5
	signal lamp/holder 1.000 L0751784	ELAN EL 0280190	250V;UC;BA9S
	contact element 1.000 L0751781	ELAN EF103.1	22.5;230VAC;10A
	bulb/led 1.000 L0752327	BARTHELME KRI/23	BA9S;30V;2W
	shield 1.000 L0841274	ELAN E-KB-9.0	d:18.9mm
-80A1-S33 +DT6	switch/knob button 1.000 L0751727	ELAN EDL WS KB	22.5
	signal lamp/holder 1.000 L0751784	ELAN EL 0280190	250V;UC;BA9S
	contact element 1.000 L0751781	ELAN EF103.1	22.5;230VAC;10A
	bulb/led 1.000 L0752327	BARTHELME KRI/23	BA9S;30V;2W
	shield 1.000 L0841274	ELAN E-KB-9.0	d:18.9mm
-80A1-S34 +DT6	switch/knob button 1.000 L0751727	ELAN EDL WS KB	22.5
	signal lamp/holder 1.000 L0751784	ELAN EL 0280190	250V;UC;BA9S
	contact element 1.000 L0751781	ELAN EF103.1	22.5;230VAC;10A
	bulb/led 1.000 L0752327	BARTHELME KRI/23	BA9S;30V;2W
	shield 1.000 L0841274	ELAN E-KB-9.0	d:18.9mm
-80A1-S35 +DT6	switch/knob button 1.000 L0751805	ELAN EDT KB	22.5
	contact element 1.000 L0751781	ELAN EF103.1	22.5;230VAC;10A
	shield 1.000 L0840999	ELAN E-KB-9.1	d:18.9mm
-80A1-S36 +DT6	contact element 1.000 L0751738	ELAN EF110.1	22.5;400VAC;6A
	switch/knob button 1.000 L0751779	ELAN EDR35ROTKB	22.5
-80A1-S37 +DT6	switch/knob button 1.000 L0751805	ELAN EDT KB	22.5
	contact element 1.000 L0751781	ELAN EF103.1	22.5;230VAC;10A
	shield 1.000 L0840999	ELAN E-KB-9.1	d:18.9mm
-80A1-S38 +DT6	contact element 1.000 L0751781	ELAN EF103.1	22.5;230VAC;10A
	switch/knob button 1.000 L0751805	ELAN EDT KB	22.5
	shield 1.000 L0840999	ELAN E-KB-9.1	d:18.9mm
-W20B2 +S	cable duct 21.000 L0843925	MURRPLASTIK MP2001	25mm*100mm*25mm
	cable duct 1.000 L0843926	MURRPLASTIK/BALLUFF KA2001-BG/20011	25mm*20mm*40mm
	cable duct 1.000 L0843927	MURRPLASTIK/BALLUFF KA2001-BZ/20012	25mm*23mm*40mm

filter: (not ("I"\$GERAET) and (SYMBOLTYP<>"7") and (SYMBOLTYP< (C) De La Rue Giori S.A.

format: GLGBNH

desig: A233HANS

dated: 16.7.1997

page:69

next page:70

EQUIPMENT LIST

machine number: 621007un high item designation:

item	designation	manufacturer	technical data
inst.place	quantity	part.no.	type/order no.

filter: (not ("I"\$GERAET) and (SYMBOLTYP<>"7") and (SYMBOLTYP< (C) De La Rue Giori S.A.

format: GLGBNH

desig: A233HANS

dated: 16.7.1997

page:70

next page:71

EQUIPMENT LIST

machine number: 621007un high item designation: =T

item inst.place	designation quantity part.no.	manufacturer type/order no.	technical data
-10F2 +T1S	prot.motor switch 1.000 L0057719 accessory/special 1.000 L0057723	KLOECKNER-MOELLER PKZM1-10 KLOECKNER-MOELLER NHI11-PKZM1	6-10A;690V UE:500V,AMAX.6,1S10,AQ:2.5
-10T2 +T1S	1.000 4AM9941-		
-11D1 +T1S	cpu/memory/funct.u 1.000 L0055976	ABB 07KT93R161	ARC./CS31;24VDC,ARCNET,24/16BI N.IN-/OUTPUT
-11R7 +T1S	resistor 1.000 L0058243	SPOERLE PR01	120Ohm5%;1W
-12D1 +T1S	in-/output unit 1.000 L0055977	ABB ICDG32L1	CS31;16IN-,8OUT-PUTS,0.5A,8I/O
-13D1 +T1S	in-/output unit 1.000 L0055977	ABB ICDG32L1	CS31;16IN-,8OUT-PUTS,0.5A,8I/O
-14D1 +T1S	in-/output unit 1.000 L0055977	ABB ICDG32L1	CS31;16IN-,8OUT-PUTS,0.5A,8I/O
-14R7 +T1S	resistor 1.000 L0058243	SPOERLE PR01	120Ohm5%;1W
-21B1 +T	photosensor 1.000 L0053645 cable w.plug/socke 1.000 L0752937	WENGLOR SENSORIC HD11PC3 BALLUFF BKS-S20-8PU-10	35- 100;10-30VDC;0.6kHz 4x0.25mm2;10m
-21B2 +T	proximity switch 1.000 L0752957 cable w.plug/socke 1.000 L0752944	BALLUFF BES516-356-S4C BALLUFF BKS-S20-8PU-05	0-3.2mm;10-30V;DC;PNP;0.4kHz 4x0.25mm2;5m
*-21B3 +T	<i>indicator</i> 1.000 L2349220		
-21B7 +T	proximity switch 1.000 L0752957 cable w.plug/socke 1.000 L0752944	BALLUFF BES516-356-S4C BALLUFF BKS-S20-8PU-05	0-3.2mm;10-30V;DC;PNP;0.4kHz 4x0.25mm2;5m
-21Y5 +T	solenoid valve 2.000 L0059114 cable w.plug/socke 2.000 L0850990	FESTO MSFG-24-OD-34411 MURRELEKTRONIK MSUD-3124429	24VUC,4.5W,ED:100%,IP65 3x0.75mm2;GNGE;5m
-24K8 +T1S	contactor/relay 1.000 L0052512 accessory/special 1.000 L0720097	WAGO 286-304/002-000 WAGO 280-609	Ub:24V;DC;Phal:0.53VA;S-el:1W; Us:250V;Ps:250V/7A 2*6POLS 0.08-2.5MM2
-25B2 +T	magnetic switch 1.000 L0752980 cable w.plug/socke 1.000 L0752955	BALLUFF BMF 32M-NS-C2-S49 BALLUFF BKS-S49-4-PU-05	10-30VDC;0.02kHz 3x0.25mm2;5m
-25B3 +T	magnetic switch 1.000 L0752980 cable w.plug/socke 1.000 L0752955	BALLUFF BMF 32M-NS-C2-S49 BALLUFF BKS-S49-4-PU-05	10-30VDC;0.02kHz 3x0.25mm2;5m
-25B5 +T	photosensor 1.000 L0053392	WENGLOR SENSORIC HW11PC3	35- 100;10-30VDC;0.6kHz
-25B6 +T	photosensor 1.000 L0053431	WEKO 7734+7737+4206+20	0- 250;0-30VDC
-25N1 +T	1.000 L0053437		
-25Y1	solenoid valve	FESTO	24VUC,4.5W,ED:100%,IP65

filter: (not ("I"\$GERAET) and (SYMBOLTYP<>"7") and (SYMBOLTYP<

(C) De La Rue Giori S.A.

format: GLGBNH

desig: A233HANS

dated: 16.7.1997

page:71

next page:72

EQUIPMENT LIST machine number: 621007un high item designation: =T

item inst.place designation quantity part.no. manufacturer type/order no. technical data

+T		1.000 L0059114	MSFG-24-OD-34411		
		cable w.plug/socke	MURRELEKTRONIK		3x0.75mm2;GNGE;5m
		1.000 L0850990	MSUD-3124429		
-26A1					
+DT18		1.000 L0062464			
-26A1-H3		signal lamp/holder	ELAN		24V;UC;2W;BA9S
+DT18		1.000 L0751777	EMLH ROT		
		signal lamp/holder	ELAN		250V;UC;BA9S
		1.000 L0751784	EL 0280190		
		bulb/led	BARTHELME		BA9S;30V;2W
		1.000 L0752338	KRL/23		
-26A1-S1		switch/knob button	ELAN		22.5
+DT18		1.000 L0751727	EDL WS KB		
		contact element	ELAN		22.5;230VAC;10A
		1.000 L0751781	EF103.1		
		signal lamp/holder	ELAN		250V;UC;BA9S
		1.000 L0751784	EL 0280190		
		bulb/led	BARTHELME		BA9S;30V;2W
		1.000 L0752338	KRL/23		
-26A1-S2		switch/knob button	ELAN		22.5
+DT18		1.000 L0751805	EDT KB		
		contact element	ELAN		22.5;230VAC;10A
		1.000 L0751781	EF103.1		
-26A1-S4		contact element	ELAN		22.5;400VAC;6A
+DT18		1.000 L0751738	EF110.1		
		switch/knob button	ELAN		22.5
		1.000 L0752033	EDR35RT/KB5178		
-27B1		magnetic switch	BALLUFF		10-30VDC;0.02kHz
+T		1.000 L0752980	BMF 32M-NS-C2-S49		
		cable w.plug/socke	BALLUFF		3x0.25mm2;5m
		1.000 L0752955	BKS-S49-4-PU-05		
-27B2		magnetic switch	BALLUFF		10-30VDC;0.02kHz
+T		1.000 L0752980	BMF 32M-NS-C2-S49		
		cable w.plug/socke	BALLUFF		3x0.25mm2;5m
		1.000 L0752955	BKS-S49-4-PU-05		
-27B3		proximity switch	IFM ELECTRONIC		0-2mm;10-36V;DC;PNP;0.8kHz
+T		1.000 L0752896	IS-3002-APOG+AS-510T		
		cable w.plug/socke	BALLUFF		3x0.25mm2;5m
		1.000 L0752955	BKS-S49-4-PU-05		
-27Y5		solenoid valve	FESTO		24VUC,4.5W,ED:100%,IP65
+T		2.000 L0059114	MSFG-24-OD-34411		
		cable w.plug/socke	MURRELEKTRONIK		3x0.75mm2;GNGE;5m
		2.000 L0850990	MSUD-3124429		
-30B5		photosensor	WENGLOR SENSORIC		35- 100;10-30VDC;0.6kHz
+T		1.000 L0053645	HD11PC3		
		cable w.plug/socke	BALLUFF		4x0.25mm2;10m
		1.000 L0752937	BKS-S20-8PU-10		
-30F2		prot.motor switch	KLOECKNER-MOELLER		0.6-1A;690V
+T1S		1.000 L0057714	PKZM1-1		
		accessory/special	KLOECKNER-MOELLER		UE:500V,AMAX.6,1S10,AQ:2.5
		1.000 L0057723	NH111-PKZM1		
-30F3		filter	MURRELEKTRONIK		1ph;24VAC24VDC
+T1S		1.000 L0052874	VG-BC6/24		
-30K3		contactor/relay	ABB		Ub:19-26V;DC;Phal:3.5VA;S-el:3
+T1S		1.000 L0052021	BC7-30-10		H1S;Us:500V;Ps:440V/5.5KW
-30M2		gear motor AC	SEW EURODRIVE		3ph;240/415V+-10%;1.03/0.6A;12
+T		1.000 L0051304	R32DT63K4		0W;20Nm;24.33:1
-30Z2		filter	MURRELEKTRONIK		3ph;400 +10% MAXVAC50-60Hz;4k
+T1S		1.000 L0052872	HRC3/022-500	23000	W;0.022kOhm/0.22uF

filter: (not ("I"\$GERAET) and (SYMBOLTYP<>"7") and (SYMBOLTYP< (C) De La Rue Giori S.A.

format: GLGBNH

desig: A233HANS

dated: 16.7.1997

page:72

next page:73

EQUIPMENT LIST

machine number: 621007un high item designation: =T

item inst.place	designation quantity part.no.	manufacturer type/order no.	technical data
-33B2 +T	1.000 L2349220		
-33B3 +T	1.000 L2349220		
-33Y5 +T	solenoid valve 2.000 L0059114 cable w.plug/socke 2.000 L0850990	FESTO MSFG-24-OD-34411 MURRELEKTRONIK MSUD-3124429	24VUC, 4.5W, ED:100%, IP65 3x0.75mm2;GNGE;5m
-36B2 +T	magnetic switch 1.000 L0752980 cable w.plug/socke 1.000 L0752955	BALLUFF BMF 32M-NS-C2-S49 BALLUFF BKS-S49-4-PU-05	10-30VDC;0.02kHz 3x0.25mm2;5m
-36Y3 +T	solenoid valve 2.000 L0059114 cable w.plug/socke 2.000 L0850990	FESTO MSFG-24-OD-34411 MURRELEKTRONIK MSUD-3124429	24VUC, 4.5W, ED:100%, IP65 3x0.75mm2;GNGE;5m
-36Y5 +T	solenoid valve 1.000 L0059114 cable w.plug/socke 1.000 L0850990	FESTO MSFG-24-OD-34411 MURRELEKTRONIK MSUD-3124429	24VUC, 4.5W, ED:100%, IP65 3x0.75mm2;GNGE;5m
-39F2 +T1S	prot.motor switch 1.000 L0057719 accessory/special 1.000 L0057723	KLOECKNER-MOELLER PKZM1-10 KLOECKNER-MOELLER NHI11-PKZM1	6-10A;690V UE:500V, AMAX.6, 1S10, AQ:2.5
-39K3 +T1S	contactor/relay 1.000 L0052512 accessory/special 1.000 L0720097	WAGO 286-304/002-000 WAGO 280-609	Ub:24V;DC;Phal:0.53VA;S-el:1W; Us:250V;Ps:250V/7A 2*6POLS 0.08-2.5MM2
-39K4 +T1S	contactor/relay 1.000 L0052512 accessory/special 1.000 L0720097	WAGO 286-304/002-000 WAGO 280-609	Ub:24V;DC;Phal:0.53VA;S-el:1W; Us:250V;Ps:250V/7A 2*6POLS 0.08-2.5MM2
-39K5 +T1S	contactor/relay 1.000 L0052512 accessory/special 1.000 L0720097	WAGO 286-304/002-000 WAGO 280-609	Ub:24V;DC;Phal:0.53VA;S-el:1W; Us:250V;Ps:250V/7A 2*6POLS 0.08-2.5MM2
-39P1 +T	1.000 L6641550		
-39P1X +T	accessory 1.000 L0756544 plug/socket elemen 1.000 L0756540	WIELAND 16POL380V16A HARTING VERTRIEB FUE 16POL.400V16A	16POL.380V16A/6POL.380V35A 400V;16A;PE;2.5mm2
-39P2X +T	accessory 1.000 L0756544 plug/socket elemen 1.000 L0756541	WIELAND 16POL380V16A WIELAND ELECTRIC GMB 16POL.400V16A	16POL.380V16A/6POL.380V35A 400V;16A;PE;2.5mm2
-42B1 +T	magnetic switch 1.000 L0752980 cable w.plug/socke 1.000 L0752955	BALLUFF BMF 32M-NS-C2-S49 BALLUFF BKS-S49-4-PU-05	10-30VDC;0.02kHz 3x0.25mm2;5m
-42B2 +T	magnetic switch 1.000 L0752980 cable w.plug/socke 1.000 L0752955	BALLUFF BMF 32M-NS-C2-S49 BALLUFF BKS-S49-4-PU-05	10-30VDC;0.02kHz 3x0.25mm2;5m
-42Y5 +T	solenoid valve 2.000 L0059114 cable w.plug/socke 2.000 L0850990	FESTO MSFG-24-OD-34411 MURRELEKTRONIK MSUD-3124429	24VUC, 4.5W, ED:100%, IP65 3x0.75mm2;GNGE;5m

filter: (not ("I"\$GERAET) and (SYMBOLTYP<>"7") and (SYMBOLTYP< (C) De La Rue Giori S.A.

format: GLGBNH

desig: A233HANS

dated: 16.7.1997

page:73

next page:74

EQUIPMENT LIST

machine number: 621007un high item designation: =T

item inst.place	designation quantity part.no.	manufacturer type/order no.	technical data
-45B2 +T	magnetic switch 1.000 L0752980 cable w.plug/socke 1.000 L0752955	BALLUFF BMF 32M-NS-C2-S49 BALLUFF BKS-S49-4-PU-05	10-30VDC;0.02kHz 3x0.25mm2;5m
-45Y3 +T	solenoid valve 2.000 L0059114 cable w.plug/socke 2.000 L0850990	FESTO MSFG-24-OD-34411 MURRELEKTRONIK MSUD-3124429	24VUC,4.5W,ED:100%,IP65 3x0.75mm2;GNGE;5m
-45Y5 +T	solenoid valve 1.000 L0059114 cable w.plug/socke 1.000 L0850990	FESTO MSFG-24-OD-34411 MURRELEKTRONIK MSUD-3124429	24VUC,4.5W,ED:100%,IP65 3x0.75mm2;GNGE;5m
-48F2 +T1S	prot.motor switch 1.000 L0057719 accessory/special 1.000 L0057723	KLOECKNER-MOELLER PKZM1-10 KLOECKNER-MOELLER NHI11-PKZM1	6-10A;690V UE:500V,AMAX.6,1S10,AQ:2.5
-48K3 +T1S	contactor/relay 1.000 L0052512 accessory/special 1.000 L0720097	WAGO 286-304/002-000 WAGO 280-609	Ub:24V;DC;Phal:0.53VA;S-el:1W; Us:250V;Ps:250V/7A 2*6POLS 0.08-2.5MM2
-48K4 +T1S	contactor/relay 1.000 L0052512 accessory/special 1.000 L0720097	WAGO 286-304/002-000 WAGO 280-609	Ub:24V;DC;Phal:0.53VA;S-el:1W; Us:250V;Ps:250V/7A 2*6POLS 0.08-2.5MM2
-48K5 +T1S	contactor/relay 1.000 L0052512 accessory/special 1.000 L0720097	WAGO 286-304/002-000 WAGO 280-609	Ub:24V;DC;Phal:0.53VA;S-el:1W; Us:250V;Ps:250V/7A 2*6POLS 0.08-2.5MM2
-48P1 +T	1.000 L6641550		
-48P1X +T	accessory 1.000 L0756544 plug/socket elemen 1.000 L0756540	WIELAND 16POL380V16A HARTING VERTRIEB FUE 16POL.400V16A	16POL.380V16A/6POL.380V35A 400V;16A;PE;2.5mm2
-48P2X +T	accessory 1.000 L0756544 plug/socket elemen 1.000 L0756541	WIELAND 16POL380V16A WIELAND ELECTRIC GMB 16POL.400V16A	16POL.380V16A/6POL.380V35A 400V;16A;PE;2.5mm2
-51B1 +T	magnetic switch 1.000 L0752980 cable w.plug/socke 1.000 L0752955	BALLUFF BMF 32M-NS-C2-S49 BALLUFF BKS-S49-4-PU-05	10-30VDC;0.02kHz 3x0.25mm2;5m
-51B2 +T	magnetic switch 1.000 L0752980 cable w.plug/socke 1.000 L0752955	BALLUFF BMF 32M-NS-C2-S49 BALLUFF BKS-S49-4-PU-05	10-30VDC;0.02kHz 3x0.25mm2;5m
-51Y5 +T	solenoid valve 2.000 L0059114 cable w.plug/socke 2.000 L0850990	FESTO MSFG-24-OD-34411 MURRELEKTRONIK MSUD-3124429	24VUC,4.5W,ED:100%,IP65 3x0.75mm2;GNGE;5m
-54F1 +T1S	filter 1.000 L0052874	MURRELEKTRONIK VG-BC6/24	1ph;24VAC24VDC
-54F2 +T1S	filter 1.000 L0052874	MURRELEKTRONIK VG-BC6/24	1ph;24VAC24VDC
-54K3 +T1S	contactor/relay 1.000 L0052021	ABB BC7-30-10	Ub:19-26V;DC;Phal:3.5VA;S-el:3 H1S;Us:500V;Ps:440V/5.5KW
-54K4 +T1S	contactor/relay 1.000 L0052512	WAGO 286-304/002-000	Ub:24V;DC;Phal:0.53VA;S-el:1W; Us:250V;Ps:250V/7A

filter: (not ("I"\$GERAET) and (SYMBOLTYP<>"7") and (SYMBOLTYP< (C) De La Rue Giori S.A.

format: GLGBNH

desig: A233HANS

dated: 16.7.1997

page:74

next page:75

EQUIPMENT LIST

machine number: 621007un high item designation: =T

item inst.place	designation quantity part.no.	manufacturer type/order no.	technical data
	accessory/special 1.000 L0720097	WAGO 280-609	2*6POLS 0.08-2.5MM2
-54K5 +T1S	contactor/relay 1.000 L0052512 accessory/special 1.000 L0720097	WAGO 286-304/002-000 WAGO 280-609	Ub:24V;DC;Phal:0.53VA;S-el:1W; Us:250V;Ps:250V/7A 2*6POLS 0.08-2.5MM2
-54K6 +T1S	contactor/relay 1.000 L0052512 accessory/special 1.000 L0720097	WAGO 286-304/002-000 WAGO 280-609	Ub:24V;DC;Phal:0.53VA;S-el:1W; Us:250V;Ps:250V/7A 2*6POLS 0.08-2.5MM2
-54K7 +T1S	contactor/relay 1.000 L0052512 accessory/special 1.000 L0720097	WAGO 286-304/002-000 WAGO 280-609	Ub:24V;DC;Phal:0.53VA;S-el:1W; Us:250V;Ps:250V/7A 2*6POLS 0.08-2.5MM2
-54K8 +T1S	contactor/relay 1.000 L0052021 filter 1.000 L0052874	ABB BC7-30-10 MURRELEKTRONIK VG-BC6/24	Ub:19-26V;DC;Phal:3.5VA;S-el:3 H1S;Us:500V;Ps:440V/5.5KW 1ph;24VAC24VDC
* 54M1 +T	gear motor AC 1.000 L0051352	GEORGII KOBOLD KOD-325-1MB/S64/G71	3ph;240/415V,50HZ,0.64/0.37A,1 20W;5.5Nm;14:1
* -54N4 +T1S	frequency converte 1.000 L0052998 accessory/special 1.000 L0052999	SEW EURODRIVE 0504-231-1-00 SEW EURODRIVE FBG01	1ph;Ue:184-264V;f:45-66Hz;Ua:0 -230Vfa:0-400Hz;In:1.9A;P.mot: 65*120*21MM,F.L0052998
* -54N5 +T1S	accessory/special 1.000 L0052988	SEW EURODRIVE BRC01	1500W,2.4A,162 OHM
-54R6 +T1S	resistor 1.000 L0058224 rack 1.000 L0720880	DRALORIC LCA0719 LUETZE MPE-9	1K20hm5%;1W 45mm*77mm*45mm
-54R7 +T1S	resistor 1.000 L0058224 rack 1.000 L0720880	DRALORIC LCA0719 LUETZE MPE-9	1K20hm5%;1W 45mm*77mm*45mm
-55B2 +T	proximity switch 1.000 L0752989 cable w.plug/socke 1.000 L0752944	IFM ELECTRONIC IF-5542 BALLUFF BKS-S20-8PU-05	0-2mm;18-36V;DC;PNP;0.8kHz 4x0.25mm2;5m
-55B3 +T	proximity switch 1.000 L0752989 cable w.plug/socke 1.000 L0752944	IFM ELECTRONIC IF-5542 BALLUFF BKS-S20-8PU-05	0-2mm;18-36V;DC;PNP;0.8kHz 4x0.25mm2;5m
-55B4 +T	proximity switch 1.000 L0752989 cable w.plug/socke 1.000 L0752944	IFM ELECTRONIC IF-5542 BALLUFF BKS-S20-8PU-05	0-2mm;18-36V;DC;PNP;0.8kHz 4x0.25mm2;5m
-55B5 +T	proximity switch 1.000 L0752989 cable w.plug/socke 1.000 L0752944	IFM ELECTRONIC IF-5542 BALLUFF BKS-S20-8PU-05	0-2mm;18-36V;DC;PNP;0.8kHz 4x0.25mm2;5m
-55B6 +T	proximity switch 1.000 L0752989 cable w.plug/socke 1.000 L0752944	IFM ELECTRONIC IF-5542 BALLUFF BKS-S20-8PU-05	0-2mm;18-36V;DC;PNP;0.8kHz 4x0.25mm2;5m
-57B1 +T	magnetic switch 1.000 L0752980 cable w.plug/socke 1.000 L0752955	BALLUFF BMF 32M-NS-C2-S49 BALLUFF BKS-S49-4-PU-05	10-30VDC;0.02kHz 3x0.25mm2;5m

filter: (not ("I"\$GERAET)and(SYMBOLTYP<>"7")and(SYMBOLTYP<

(C) De La Rue Giori S.A.

format: GLGBNH

desig: A233HANS

dated: 16.7.1997

page:75

next page:76

EQUIPMENT LIST

machine number: 621007un high item designation: =T

item inst.place	designation quantity	part.no.	manufacturer type/order no.	technical data
-57B2 +T	magnetic switch 1.000	L0752980	BALLUFF BMF 32M-NS-C2-S49	10-30VDC; 0.02kHz
	cable w.plug/socke 1.000	L0752955	BALLUFF BKS-S49-4-PU-05	3x0.25mm ² ; 5m
-57Y5 +T	solenoid valve 2.000	L0059114	FESTO MSFG-24-OD-34411	24VUC, 4.5W, ED:100%, IP65
	cable w.plug/socke 2.000	L0850990	MURRELEKTRONIK MSUD-3124429	3x0.75mm ² ; GNGE; 5m
-60B5 +T	photosensor 1.000	L0053461	DATALOGIC S5-5-A2-35 G5210235	0- 2000; 10-30VERPOLUNGSSICHERV
	accessory/special 1.000	L0053469	DATALOGIC R2 9001038	DC; PNP/NPN; 0.2kHz 86*63*8MM, D=48MM
-60F2 +T1S	prot.motor switch 1.000	L0057714	KLOECKNER-MOELLER PKZM1-1	0.6-1A; 690V
	accessory/special 1.000	L0057723	KLOECKNER-MOELLER NHI11-PKZM1	UE: 500V, AMAX.6, 1S10, AQ: 2.5
-60F3 +T1S	filter 1.000	L0052874	MURRELEKTRONIK VG-BC6/24	1ph; 24VAC/24VDC
-60K3 +T1S	contactor/relay 1.000	L0052021	ABB BC7-30-10	Ub: 19-26V; DC; Phal: 3.5VA; S-el: 3 H1S; Us: 500V; Ps: 440V/5.5KW
-60M2 +T	gear motor AC 1.000	L0051304	SEW EURODRIVE R32DT63K4	3ph; 240/415V+-10%; 1.03/0.6A; 12 0W; 20Nm; 24.33:1
-60S1 +T	limit/posit.switch 1.000	L0752804	HONEYWELL BZ-2RW 855-A2	380VAC; 15A
	accessory/special 1.000	L0752807	HONEYWELL 5PA-PG9-1	PG9, 53.5*24.5*21MM
-60Z2 +T1S	filter 1.000	L0052872	MURRELEKTRONIK HRC3/022-500 23000	3ph; 400 +10% MAXVAC50-60Hz; 4k W; 0.022kOhm/0.22uF
-63B2 +T	photosensor 1.000	L0053645	WENGLOR SENSORIC HD11PC3	35- 100; 10-30VDC; 0.6kHz
	cable w.plug/socke 1.000	L0752937	BALLUFF BKS-S20-8PU-10	4x0.25mm ² ; 10m
-63B3 +T	photosensor 1.000	L0053645	WENGLOR SENSORIC HD11PC3	35- 100; 10-30VDC; 0.6kHz
	cable w.plug/socke 1.000	L0752937	BALLUFF BKS-S20-8PU-10	4x0.25mm ² ; 10m
-63E3 +T	accessory/special 1.000	L0752232	PFANNENBERG DWBS WEISS	24VDC, 0.15A, 3.6W, IP54, 1HZ; 66mm *235mm*50mm
-63K1 +T1S	contactor/relay 1.000	L0052512	WAGO 286-304/002-000	Ub: 24V; DC; Phal: 0.53VA; S-el: 1W;
	accessory/special 1.000	L0720097	WAGO 280-609	Us: 250V; Ps: 250V/7A 2*6POLS 0.08-2.5MM2
-66F2 +T1S	prot.motor switch 1.000	L0057719	KLOECKNER-MOELLER PKZM1-10	6-10A; 690V
	accessory/special 1.000	L0057723	KLOECKNER-MOELLER NHI11-PKZM1	UE: 500V, AMAX.6, 1S10, AQ: 2.5
-67B1 +T	proximity switch 1.000	L0752989	IFM ELECTRONIC IF-5542	0-2mm; 18-36V; DC; PNP; 0.8kHz
-67B2 +T	magnetic switch 1.000	L0752980	BALLUFF BMF 32M-NS-C2-S49	10-30VDC; 0.02kHz
-67Y1 +T	solenoid valve 1.000	L0059114	FESTO MSFG-24-OD-34411	24VUC, 4.5W, ED:100%, IP65
-69P1 +T	digital display 1.000	L0053566	CONTRAVES ZAG15-100PD	Dis: LED; Ub: 22-30V; Awert: 99999; In: BCD-CODE, HIGH>=11VDC
-70B1 +T		1.000	L0052897	

filter: (not ("I"\$GERAET) and (SYMBOLTYP<>"7") and (SYMBOLTYP< (C) De La Rue Giori S.A.

format: GLGBNH

desig: A233HANS

dated: 16.7.1997

page: 76

next page: 77

EQUIPMENT LIST

machine number: 621007un high item designation: -T

item inst.place	designation quantity part.no.	manufacturer type/order no.	technical data
-70B2 +T	1.000 L0052897		
-72S2 +T	limit/posit.switch 1.000 L0752625	SIEMENS / SSW 3SE3-120-0E	220VAC;10A
-72S3 +T	limit/posit.switch 1.000 L0752625	SIEMENS / SSW 3SE3-120-0E	220VAC;10A
-72S6 +T	limit/posit.switch 1.000 L0752641 accessory/special 1.000 L0752642	SCHMERSAL AZ15ZVRK SCHMERSAL B1	230VAC;4A 56*28*16MM
-72S7 +T	limit/posit.switch 1.000 L0752641 accessory/special 1.000 L0752642	SCHMERSAL AZ15ZVRK SCHMERSAL B1	230VAC;4A 56*28*16MM
-75A1 +DT10	front panel 1.000 L0066490	KBA O.Z.	
-75A1-H18 +DT10	signal lamp/holder 1.000 L0751778 signal lamp/holder 1.000 L0751784 bulb/led 1.000 L0752327	ELAN EMLH GRUEN ELAN EL 0280190 BARTHELME KRI/23	24V;UC;2W;BA9S 250V;UC;BA9S BA9S;30V;2W
-75A1-H19 +DT10	signal lamp/holder 1.000 L0751777 signal lamp/holder 1.000 L0751784 bulb/led 1.000 L0752327	ELAN EMLH ROT ELAN EL 0280190 BARTHELME KRI/23	24V;UC;2W;BA9S 250V;UC;BA9S BA9S;30V;2W
-75A1-S9 +DT10	switch/knob button 1.000 L0751705 contact element 1.000 L0751781 shield 1.000 L0840032 shield 1.000 L0840999	ELAN EWS21,1KB__2STELLIG ELAN EF103.1 KBA N.Z. ELAN E-KB-9.1	22.5 22.5;230VAC;10A d:22.5mm d:18.9mm
-75A1-S10 +DT10	switch/knob button 1.000 L0751705 contact element 1.000 L0751781 shield 1.000 L0840999	ELAN EWS21,1KB__2STELLIG ELAN EF103.1 ELAN E-KB-9.1	22.5 22.5;230VAC;10A d:18.9mm
-75A1-S11 +DT10	switch/knob button 1.000 L0751825 contact element 1.000 L0751781 shield 1.000 L0852359	ELAN EDS13-0270625 ELAN EF103.1 BRAUNE -	22.5 22.5;230VAC;10A d:22.5mm
-75A1-S12 +DT10	switch/knob button 1.000 L0751805 contact element 1.000 L0751781 shield 1.000 L0841047	ELAN EDT KB ELAN EF103.1 ELAN E-KB-9.1	22.5 22.5;230VAC;10A d:18.9mm
-75A1-S13 +DT10	switch/knob button 1.000 L0751805 contact element 1.000 L0751781 shield 1.000 L0841048	ELAN EDT KB ELAN EF103.1 ELAN E-KB-9.1	22.5 22.5;230VAC;10A d:18.9mm
-75A1-S14	switch/knob button	ELAN	22.5

filter: (not ("I"\$GERAET) and (SYMBOLTYP<>"7") and (SYMBOLTYP<

(C) De La Rue Giori S.A.

format: GLGBNH

desig: A233HANS

dated: 16.7.1997

page:77

next page:78

EQUIPMENT LIST

machine number: 621007un high item designation: =T

item inst.place	designation quantity	part.no.	manufacturer type/order no.	technical data
+DT10	1.000	L0751824	EDS14-0270630	
		contact element	ELAN	
	1.000	L0751781	EF103.1	22.5;230VAC;10A
-75A1-S15 +DT10	switch/knob button	ELAN		22.5
	1.000	L0751727	EDL WS KB	
		contact element	ELAN	
	1.000	L0751781	EF103.1	22.5;230VAC;10A
		signal lamp/holder	ELAN	
	1.000	L0751784	EL 0280190	250V;UC;BA9S
		bulb/led	BARTHELME	
	1.000	L0752327	KRI/23	BA9S;30V;2W
		shield	ELAN	
	1.000	L0841274	E-KB-9.0	d:18.9mm
-75A1-S16 +DT10	switch/knob button	ELAN		22.5
	1.000	L0751824	EDS14-0270630	
		contact element	ELAN	
	1.000	L0751781	EF103.1	22.5;230VAC;10A
		shield	BRAUNE	
	1.000	L0852360	-	d:22.5mm
-75A1-S17 +DT10	contact element	ELAN		22.5;400VAC;6A
	1.000	L0751738	EF110.1	
		switch/knob button	ELAN	
	1.000	L0751779	EDR35ROTKE	22.5
-75A1-S19 +DT10	switch/knob button	ELAN		22.5
	1.000	L0751719	EDRR40RT+EFR	
		shield	ELAN	
	1.000	L0751767	MDP-8	d:22.5mm
		contact element	ELAN	
	1.000	L0751742	EF220.1	22.5;400VAC;4A
-77Y1 +T1S	solenoid valve	FESTO		24VUC, 4.5W, ED:100%, IP65
	1.000	L0059114	MSFG-24-OD-34411	
		solenoid valve	FESTO	
	1.000	L0844907	MOFH-3-1/4-24VDC7876	100%
-77Y2 +T1S	solenoid valve	FESTO		24VUC, 4.5W, ED:100%, IP65
	1.000	L0059114	MSFG-24-OD-34411	
		solenoid valve	FESTO	
	1.000	L0844906	MFHE-3-1/4-B-24VDC	10bar;100%
-78K1 +E3S	contactor/relay	WAGO		Ub:24V;DC;Phal:0.53VA;S-el:1W;
	1.000	L0052512	286-304/002-000	Us:250V;Ps:250V/7A
		accessory/special	WAGO	
	1.000	L0720097	280-609	2*6POLS 0.08-2.5MM2

filter: (not ("I"\$GERAET) and (SYMBOLTYP<>"7") and (SYMBOLTYP< (C) De La Rue Giori S.A.

format: GLGBNH

desig: A233HANS

dated: 16.7.1997

page:78

next page:79

EQUIPMENT LIST

machine number: 621007un high item designation: =U

item inst.place	designation quantity part.no.	manufacturer type/order no.	technical data
-90A1 +DT1	1.000 L0066470		
-90A1-90D1 +DT1	cpu/memory/funct.u 1.000 L0055976 plug/socket 1.000 L0756703	ABB 07KT93R161 TELEGAERTNER BU-STI-BU	ARC./CS31;24VDC,ARCNET,24/16BI N.IN-/OUTPUT 1pol.
-90A1-90R1 +DT1	resistor 1.000 L0756702	TELEGAERTNER J01006A1373	930hm
-90A1-90R2 +DT1	resistor 1.000 L0058243	SPOERLE PR01	120Ohm5%;1W
-90A1-91D1 +DT1	in-/output unit 1.000 L0055977	ABB ICDG32L1	CS31;16IN-,8OUT-PUTS,0.5A,8I/O
-90A1-92D1 +DT1	in-/output unit 1.000 L0055977	ABB ICDG32L1	CS31;16IN-,8OUT-PUTS,0.5A,8I/O
-90A1-93D1 +DT1	in-/output unit 1.000 L0055977	ABB ICDG32L1	CS31;16IN-,8OUT-PUTS,0.5A,8I/O
-90A1-94D1 +DT1	in-/output unit 1.000 L0055977	ABB ICDG32L1	CS31;16IN-,8OUT-PUTS,0.5A,8I/O
-90A1-94R1 +DT1	resistor 1.000 L0058243	SPOERLE PR01	120Ohm5%;1W
-90A1-95R1 +DT1	resistor 1.000 L0058215	RADIO-RIM 0207	2K2Ohm1%;0.5W
-90A1-95R2 +DT1	resistor 1.000 L0058215	RADIO-RIM 0207	2K2Ohm1%;0.5W
-90A1-95R3 +DT1	resistor 1.000 L0058215	RADIO-RIM 0207	2K2Ohm1%;0.5W
-90A1-95R4 +DT1	resistor 1.000 L0058215	RADIO-RIM 0207	2K2Ohm1%;0.5W
-90A1-95R5 +DT1	resistor 1.000 L0058215	RADIO-RIM 0207	2K2Ohm1%;0.5W
-90A1-95R6 +DT1	resistor 1.000 L0058215	RADIO-RIM 0207	2K2Ohm1%;0.5W
-90A1-95R7 +DT1	resistor 1.000 L0058215	RADIO-RIM 0207	2K2Ohm1%;0.5W
-90A1-95R8 +DT1	resistor 1.000 L0058215	RADIO-RIM 0207	2K2Ohm1%;0.5W
-90A1-95R9 +DT1	resistor 1.000 L0058215	RADIO-RIM 0207	2K2Ohm1%;0.5W
-90A1-95R10 +DT1	resistor 1.000 L0058215	RADIO-RIM 0207	2K2Ohm1%;0.5W
-90A1-96R1 +DT1	resistor 1.000 L0058215	RADIO-RIM 0207	2K2Ohm1%;0.5W
-90A1-96R2 +DT1	resistor 1.000 L0058215	RADIO-RIM 0207	2K2Ohm1%;0.5W
-90A1-96R3 +DT1	resistor 1.000 L0058215	RADIO-RIM 0207	2K2Ohm1%;0.5W
-90A1-96R4 +DT1	resistor 1.000 L0058215	RADIO-RIM 0207	2K2Ohm1%;0.5W
-90A1-96R5 +DT1	resistor 1.000 L0058215	RADIO-RIM 0207	2K2Ohm1%;0.5W

filter: (not ("I"\$GERAET)and(SYMBOLTYP<>"7")and(SYMBOLTYP< (C) De La Rue Giori S.A.

format: GLGBNH

desig: A233HANS

dated: 16.7.1997

page:79

next page:80

EQUIPMENT LIST machine number: 621007un high item designation: =U

item inst.place	designation quantity	part.no.	manufacturer type/order no.	technical data
-90A1-96R6 +DT1	resistor 1.000	L0058215	RADIO-RIM 0207	2K20hm1%;0.5W
-90A1-96R7 +DT1	resistor 1.000	L0058215	RADIO-RIM 0207	2K20hm1%;0.5W
-90A1-96R8 +DT1	resistor 1.000	L0058215	RADIO-RIM 0207	2K20hm1%;0.5W
-90A1-96R9 +DT1	resistor 1.000	L0058215	RADIO-RIM 0207	2K20hm1%;0.5W
-90A1-96R10 +DT1	resistor 1.000	L0058215	RADIO-RIM 0207	2K20hm1%;0.5W
-90A1-97R1 +DT1	resistor 1.000	L0058215	RADIO-RIM 0207	2K20hm1%;0.5W
-90A1-97R2 +DT1	resistor 1.000	L0058215	RADIO-RIM 0207	2K20hm1%;0.5W
-90A1-97R3 +DT1	resistor 1.000	L0058215	RADIO-RIM 0207	2K20hm1%;0.5W
-90A1-97R4 +DT1	resistor 1.000	L0058215	RADIO-RIM 0207	2K20hm1%;0.5W
-90A1-97R5 +DT1	resistor 1.000	L0058215	RADIO-RIM 0207	2K20hm1%;0.5W
-90A1-97R6 +DT1	resistor 1.000	L0058215	RADIO-RIM 0207	2K20hm1%;0.5W
-90A1-97R7 +DT1	resistor 1.000	L0058215	RADIO-RIM 0207	2K20hm1%;0.5W
-90A1-97R8 +DT1	resistor 1.000	L0058215	RADIO-RIM 0207	2K20hm1%;0.5W
-90A1-97R9 +DT1	resistor 1.000	L0058215	RADIO-RIM 0207	2K20hm1%;0.5W
-90A1-97R10 +DT1	resistor 1.000	L0058215	RADIO-RIM 0207	2K20hm1%;0.5W
-90A1-98R1 +DT1	resistor 1.000	L0058215	RADIO-RIM 0207	2K20hm1%;0.5W
-90A1-98R2 +DT1	resistor 1.000	L0058215	RADIO-RIM 0207	2K20hm1%;0.5W
-90A1-98R3 +DT1	resistor 1.000	L0058215	RADIO-RIM 0207	2K20hm1%;0.5W
-90A1-98R4 +DT1	resistor 1.000	L0058215	RADIO-RIM 0207	2K20hm1%;0.5W
-90A1-98R5 +DT1	resistor 1.000	L0058215	RADIO-RIM 0207	2K20hm1%;0.5W
-90A1-98R6 +DT1	resistor 1.000	L0058215	RADIO-RIM 0207	2K20hm1%;0.5W
-90A1-98R7 +DT1	resistor 1.000	L0058215	RADIO-RIM 0207	2K20hm1%;0.5W
-90A1-98R8 +DT1	resistor 1.000	L0058215	RADIO-RIM 0207	2K20hm1%;0.5W
-90A1-98R9 +DT1	resistor 1.000	L0058215	RADIO-RIM 0207	2K20hm1%;0.5W
-90A1-98R10 +DT1	resistor 1.000	L0058215	RADIO-RIM 0207	2K20hm1%;0.5W

filter: (not ("I"\$GERAET) and (SYMBOLTYP<>"7") and (SYMBOLTYP< (C) De La Rue Giori S.A.

format: GLGBNH desig: A233HANS dated: 16.7.1997 page:80 next page:81

EQUIPMENT LIST machine number: 621007un high item designation: -U

item inst.place	designation quantity	part.no.	manufacturer type/order no.	technical data
-90A1-99R1 +DT1	resistor 1.000	L0058215	RADIO-RIM 0207	2K20hm1%;0.5W
-90A1-99R2 +DT1	resistor 1.000	L0058215	RADIO-RIM 0207	2K20hm1%;0.5W
-90A1-99R3 +DT1	resistor 1.000	L0058215	RADIO-RIM 0207	2K20hm1%;0.5W
-90A1-99R4 +DT1	resistor 1.000	L0058215	RADIO-RIM 0207	2K20hm1%;0.5W
-90A1-99R5 +DT1	resistor 1.000	L0058215	RADIO-RIM 0207	2K20hm1%;0.5W
-90A1-99R6 +DT1	resistor 1.000	L0058215	RADIO-RIM 0207	2K20hm1%;0.5W
-90A1-99R7 +DT1	resistor 1.000	L0058215	RADIO-RIM 0207	2K20hm1%;0.5W
-90A1-99R8 +DT1	resistor 1.000	L0058215	RADIO-RIM 0207	2K20hm1%;0.5W
-90A1-99R9 +DT1	resistor 1.000	L0058215	RADIO-RIM 0207	2K20hm1%;0.5W
-90A1-99R10 +DT1	resistor 1.000	L0058215	RADIO-RIM 0207	2K20hm1%;0.5W
-90A1-100R1 +DT1	resistor 1.000	L0058215	RADIO-RIM 0207	2K20hm1%;0.5W
-90A1-100R2 +DT1	resistor 1.000	L0058215	RADIO-RIM 0207	2K20hm1%;0.5W
-90A1-100R3 +DT1	resistor 1.000	L0058215	RADIO-RIM 0207	2K20hm1%;0.5W
-90A1-100R4 +DT1	resistor 1.000	L0058215	RADIO-RIM 0207	2K20hm1%;0.5W
-90A1-100R5 +DT1	resistor 1.000	L0058215	RADIO-RIM 0207	2K20hm1%;0.5W
-90A1-100R6 +DT1	resistor 1.000	L0058215	RADIO-RIM 0207	2K20hm1%;0.5W
-90A1-100R7 +DT1	resistor 1.000	L0058215	RADIO-RIM 0207	2K20hm1%;0.5W
-90A1-100R8 +DT1	resistor 1.000	L0058215	RADIO-RIM 0207	2K20hm1%;0.5W
-90A1-100R9 +DT1	resistor 1.000	L0058215	RADIO-RIM 0207	2K20hm1%;0.5W
-90A1-100R10 +DT1	resistor 1.000	L0058215	RADIO-RIM 0207	2K20hm1%;0.5W
-90A1-101R1 +DT1	resistor 1.000	L0058215	RADIO-RIM 0207	2K20hm1%;0.5W
-90A1-101R2 +DT1	resistor 1.000	L0058215	RADIO-RIM 0207	2K20hm1%;0.5W
-90A1-101R3 +DT1	resistor 1.000	L0058215	RADIO-RIM 0207	2K20hm1%;0.5W
-90A1-101R4 +DT1	resistor 1.000	L0058215	RADIO-RIM 0207	2K20hm1%;0.5W
-90A1-101R5 +DT1	resistor 1.000	L0058215	RADIO-RIM 0207	2K20hm1%;0.5W

filter: (not ("I"\$GERAET)and (SYMBOLTYP<>"7")and (SYMBOLTYP< (C) De La Rue Giori S.A.

EQUIPMENT LIST machine number: 621007un high item designation: =U

item inst.place	designation quantity part.no.	manufacturer type/order no.	technical data
-90A1-101R6 +DT1	resistor 1.000 L0058215	RADIO-RIM 0207	2K2Ohm1%;0.5W
-90A1-101R7 +DT1	resistor 1.000 L0058215	RADIO-RIM 0207	2K2Ohm1%;0.5W
-90A1-101R8 +DT1	resistor 1.000 L0058215	RADIO-RIM 0207	2K2Ohm1%;0.5W
-90A1-101R9 +DT1	resistor 1.000 L0058215	RADIO-RIM 0207	2K2Ohm1%;0.5W
-90A1-101R10 +DT1	resistor 1.000 L0058215	RADIO-RIM 0207	2K2Ohm1%;0.5W
-90A1-102R3 +DT1	resistor 1.000 L0058215	RADIO-RIM 0207	2K2Ohm1%;0.5W
-90A1-104R1 +DT1	resistor 1.000 L0058215	RADIO-RIM 0207	2K2Ohm1%;0.5W
-90A1-104R2 +DT1	resistor 1.000 L0058215	RADIO-RIM 0207	2K2Ohm1%;0.5W
-90A1-104R3 +DT1	resistor 1.000 L0058215	RADIO-RIM 0207	2K2Ohm1%;0.5W
-90A1-104R4 +DT1	resistor 1.000 L0058215	RADIO-RIM 0207	2K2Ohm1%;0.5W
-90A1-104R5 +DT1	resistor 1.000 L0058215	RADIO-RIM 0207	2K2Ohm1%;0.5W
-90A1-104R6 +DT1	resistor 1.000 L0058215	RADIO-RIM 0207	2K2Ohm1%;0.5W
-90A1-104R7 +DT1	resistor 1.000 L0058215	RADIO-RIM 0207	2K2Ohm1%;0.5W
-90A1-104R8 +DT1	resistor 1.000 L0058215	RADIO-RIM 0207	2K2Ohm1%;0.5W
-90A1-S011 +DT1	illuminated push b 1.000 L0752250	RAFI LUMOTAST75	Ed/Br:16.5;Us:250VAC;Is:4A
	lens 1.000 L0752254	RAFI LUMOTAST75	16.5;GE
	bulb/led 1.000 L0752251	RAFI LUMOTAST75	T4.5;24V;DC
-90A1-S012 +DT1	illuminated push b 1.000 L0752250	RAFI LUMOTAST75	Ed/Br:16.5;Us:250VAC;Is:4A
	lens 1.000 L0752254	RAFI LUMOTAST75	16.5;GE
	bulb/led 1.000 L0752251	RAFI LUMOTAST75	T4.5;24V;DC
-90A1-S013 +DT1	illuminated push b 1.000 L0752250	RAFI LUMOTAST75	Ed/Br:16.5;Us:250VAC;Is:4A
	lens 1.000 L0752254	RAFI LUMOTAST75	16.5;GE
	bulb/led 1.000 L0752251	RAFI LUMOTAST75	T4.5;24V;DC
-90A1-S014 +DT1	illuminated push b 1.000 L0752250	RAFI LUMOTAST75	Ed/Br:16.5;Us:250VAC;Is:4A
	lens 1.000 L0752254	RAFI LUMOTAST75	16.5;GE
	bulb/led 1.000 L0752251	RAFI LUMOTAST75	T4.5;24V;DC
-90A1-S015 +DT1	illuminated push b 1.000 L0752250	RAFI LUMOTAST75	Ed/Br:16.5;Us:250VAC;Is:4A
	lens 1.000 L0752254	RAFI LUMOTAST75	16.5;GE

EQUIPMENT LIST machine number: 621007un high item designation: =U

item inst.place	designation quantity part.no.	manufacturer type/order no.	technical data
	bulb/led 1.000 L0752251	RAFI LUMOTAST75	T4.5;24V;DC
-90A1-S016 +DT1	illuminated push b 1.000 L0752250	RAFI LUMOTAST75	Ed/Br:16.5;Us:250VAC;Is:4A
	lens 1.000 L0752254	RAFI LUMOTAST75	16.5;GE
	bulb/led 1.000 L0752251	RAFI LUMOTAST75	T4.5;24V;DC
-90A1-S017 +DT1	illuminated push b 1.000 L0752250	RAFI LUMOTAST75	Ed/Br:16.5;Us:250VAC;Is:4A
	lens 1.000 L0752254	RAFI LUMOTAST75	16.5;GE
	bulb/led 1.000 L0752251	RAFI LUMOTAST75	T4.5;24V;DC
-90A1-S018 +DT1	switch 1.000 L0752260	RAFI LUMOTAST75	16.5;24VDC
-90A1-S021 +DT1	illuminated push b 1.000 L0752250	RAFI LUMOTAST75	Ed/Br:16.5;Us:250VAC;Is:4A
	lens 1.000 L0752254	RAFI LUMOTAST75	16.5;GE
	bulb/led 1.000 L0752251	RAFI LUMOTAST75	T4.5;24V;DC
-90A1-S022 +DT1	illuminated push b 1.000 L0752250	RAFI LUMOTAST75	Ed/Br:16.5;Us:250VAC;Is:4A
	lens 1.000 L0752254	RAFI LUMOTAST75	16.5;GE
	bulb/led 1.000 L0752251	RAFI LUMOTAST75	T4.5;24V;DC
-90A1-S023 +DT1	illuminated push b 1.000 L0752250	RAFI LUMOTAST75	Ed/Br:16.5;Us:250VAC;Is:4A
	lens 1.000 L0752254	RAFI LUMOTAST75	16.5;GE
	bulb/led 1.000 L0752251	RAFI LUMOTAST75	T4.5;24V;DC
-90A1-S024 +DT1	illuminated push b 1.000 L0752250	RAFI LUMOTAST75	Ed/Br:16.5;Us:250VAC;Is:4A
	lens 1.000 L0752254	RAFI LUMOTAST75	16.5;GE
	bulb/led 1.000 L0752251	RAFI LUMOTAST75	T4.5;24V;DC
-90A1-S025 +DT1	illuminated push b 1.000 L0752250	RAFI LUMOTAST75	Ed/Br:16.5;Us:250VAC;Is:4A
	lens 1.000 L0752254	RAFI LUMOTAST75	16.5;GE
	bulb/led 1.000 L0752251	RAFI LUMOTAST75	T4.5;24V;DC
-90A1-S026 +DT1	illuminated push b 1.000 L0752250	RAFI LUMOTAST75	Ed/Br:16.5;Us:250VAC;Is:4A
	lens 1.000 L0752254	RAFI LUMOTAST75	16.5;GE
	bulb/led 1.000 L0752251	RAFI LUMOTAST75	T4.5;24V;DC
-90A1-S027 +DT1	illuminated push b 1.000 L0752250	RAFI LUMOTAST75	Ed/Br:16.5;Us:250VAC;Is:4A
	lens 1.000 L0752254	RAFI LUMOTAST75	16.5;GE
	bulb/led 1.000 L0752251	RAFI LUMOTAST75	T4.5;24V;DC
-90A1-S031 +DT1	illuminated push b 1.000 L0752250	RAFI LUMOTAST75	Ed/Br:16.5;Us:250VAC;Is:4A
	lens 1.000 L0752254	RAFI LUMOTAST75	16.5;GE
	bulb/led 1.000 L0752251	RAFI LUMOTAST75	T4.5;24V;DC

filter: (not ("I"\$GERAET) and (SYMBOLTYP<>"7") and (SYMBOLTYP< (C) De La Rue Giori S.A.

EQUIPMENT LIST machine number: 621007un high item designation: =U

item inst.place	designation quantity	part.no.	manufacturer type/order no.	technical data
	1.000	L0752251	LUMOTAST75	
-90A1-S032 +DT1	illuminated push b	1.000 L0752250	RAFILUMOTAST75	Ed/Br:16.5;Us:250VAC;Is:4A
	lens	1.000 L0752254	RAFILUMOTAST75	16.5;GE
	bulb/led	1.000 L0752251	RAFILUMOTAST75	T4.5;24V;DC
-90A1-S033 +DT1	illuminated push b	1.000 L0752250	RAFILUMOTAST75	Ed/Br:16.5;Us:250VAC;Is:4A
	lens	1.000 L0752254	RAFILUMOTAST75	16.5;GE
	bulb/led	1.000 L0752251	RAFILUMOTAST75	T4.5;24V;DC
-90A1-S034 +DT1	illuminated push b	1.000 L0752250	RAFILUMOTAST75	Ed/Br:16.5;Us:250VAC;Is:4A
	lens	1.000 L0752254	RAFILUMOTAST75	16.5;GE
	bulb/led	1.000 L0752251	RAFILUMOTAST75	T4.5;24V;DC
-90A1-S035 +DT1	illuminated push b	1.000 L0752250	RAFILUMOTAST75	Ed/Br:16.5;Us:250VAC;Is:4A
	lens	1.000 L0752254	RAFILUMOTAST75	16.5;GE
	bulb/led	1.000 L0752251	RAFILUMOTAST75	T4.5;24V;DC
-90A1-S036 +DT1	illuminated push b	1.000 L0752250	RAFILUMOTAST75	Ed/Br:16.5;Us:250VAC;Is:4A
	lens	1.000 L0752254	RAFILUMOTAST75	16.5;GE
	bulb/led	1.000 L0752251	RAFILUMOTAST75	T4.5;24V;DC
-90A1-S037 +DT1	illuminated push b	1.000 L0752250	RAFILUMOTAST75	Ed/Br:16.5;Us:250VAC;Is:4A
	lens	1.000 L0752254	RAFILUMOTAST75	16.5;GE
	bulb/led	1.000 L0752251	RAFILUMOTAST75	T4.5;24V;DC
-90A1-S038 +DT1	illuminated push b	1.000 L0752250	RAFILUMOTAST75	Ed/Br:16.5;Us:250VAC;Is:4A
	lens	1.000 L0752256	RAFILUMOTAST75	16.5;RT
	bulb/led	1.000 L0752253	RAFILUMOTAST75	T4.5;24V;DC;3.6W
-90A1-S041 +DT1	illuminated push b	1.000 L0752250	RAFILUMOTAST75	Ed/Br:16.5;Us:250VAC;Is:4A
	lens	1.000 L0752254	RAFILUMOTAST75	16.5;GE
	bulb/led	1.000 L0752251	RAFILUMOTAST75	T4.5;24V;DC
-90A1-S042 +DT1	illuminated push b	1.000 L0752250	RAFILUMOTAST75	Ed/Br:16.5;Us:250VAC;Is:4A
	lens	1.000 L0752254	RAFILUMOTAST75	16.5;GE
	bulb/led	1.000 L0752251	RAFILUMOTAST75	T4.5;24V;DC
-90A1-S043 +DT1	illuminated push b	1.000 L0752250	RAFILUMOTAST75	Ed/Br:16.5;Us:250VAC;Is:4A
	lens	1.000 L0752254	RAFILUMOTAST75	16.5;GE
	bulb/led	1.000 L0752251	RAFILUMOTAST75	T4.5;24V;DC
-90A1-S044 +DT1	illuminated push b	1.000 L0752250	RAFILUMOTAST75	Ed/Br:16.5;Us:250VAC;Is:4A

EQUIPMENT LIST		machine number: 621007un high item designation: =U		
item inst.place	designation quantity part.no.	manufacturer type/order no.	technical data	
	lens 1.000 L0752254	RAFI LUMOTAST75	16.5;GE	
	bulb/led 1.000 L0752251	RAFI LUMOTAST75	T4.5;24V;DC	
-90A1-S045 +DT1	illuminated push b 1.000 L0752250	RAFI LUMOTAST75	Ed/Br:16.5;Us:250VAC;Is:4A	
	lens 1.000 L0752254	RAFI LUMOTAST75	16.5;GE	
	bulb/led 1.000 L0752251	RAFI LUMOTAST75	T4.5;24V;DC	
-90A1-S046 +DT1	illuminated push b 1.000 L0752250	RAFI LUMOTAST75	Ed/Br:16.5;Us:250VAC;Is:4A	
	lens 1.000 L0752254	RAFI LUMOTAST75	16.5;GE	
	bulb/led 1.000 L0752251	RAFI LUMOTAST75	T4.5;24V;DC	
-90A1-S047 +DT1	illuminated push b 1.000 L0752250	RAFI LUMOTAST75	Ed/Br:16.5;Us:250VAC;Is:4A	
	lens 1.000 L0752254	RAFI LUMOTAST75	16.5;GE	
	bulb/led 1.000 L0752251	RAFI LUMOTAST75	T4.5;24V;DC	
-90A1-S051 +DT1	illuminated push b 1.000 L0752250	RAFI LUMOTAST75	Ed/Br:16.5;Us:250VAC;Is:4A	
	lens 1.000 L0752254	RAFI LUMOTAST75	16.5;GE	
	bulb/led 1.000 L0752251	RAFI LUMOTAST75	T4.5;24V;DC	
-90A1-S052 +DT1	illuminated push b 1.000 L0752250	RAFI LUMOTAST75	Ed/Br:16.5;Us:250VAC;Is:4A	
	lens 1.000 L0752254	RAFI LUMOTAST75	16.5;GE	
	bulb/led 1.000 L0752251	RAFI LUMOTAST75	T4.5;24V;DC	
-90A1-S053 +DT1	illuminated push b 1.000 L0752250	RAFI LUMOTAST75	Ed/Br:16.5;Us:250VAC;Is:4A	
	lens 1.000 L0752254	RAFI LUMOTAST75	16.5;GE	
	bulb/led 1.000 L0752251	RAFI LUMOTAST75	T4.5;24V;DC	
-90A1-S054 +DT1	illuminated push b 1.000 L0752250	RAFI LUMOTAST75	Ed/Br:16.5;Us:250VAC;Is:4A	
	lens 1.000 L0752254	RAFI LUMOTAST75	16.5;GE	
	bulb/led 1.000 L0752251	RAFI LUMOTAST75	T4.5;24V;DC	
-90A1-S055 +DT1	illuminated push b 1.000 L0752250	RAFI LUMOTAST75	Ed/Br:16.5;Us:250VAC;Is:4A	
	lens 1.000 L0752254	RAFI LUMOTAST75	16.5;GE	
	bulb/led 1.000 L0752251	RAFI LUMOTAST75	T4.5;24V;DC	
-90A1-S056 +DT1	illuminated push b 1.000 L0752250	RAFI LUMOTAST75	Ed/Br:16.5;Us:250VAC;Is:4A	
	lens 1.000 L0752254	RAFI LUMOTAST75	16.5;GE	
	bulb/led 1.000 L0752251	RAFI LUMOTAST75	T4.5;24V;DC	
-90A1-S057 +DT1	illuminated push b 1.000 L0752250	RAFI LUMOTAST75	Ed/Br:16.5;Us:250VAC;Is:4A	
	lens 1.000 L0752254	RAFI LUMOTAST75	16.5;GE	
	bulb/led 1.000 L0752251	RAFI LUMOTAST75	T4.5;24V;DC	

filter: (not ("I"\$GERAET) and (SYMBOLTYP<>"7") and (SYMBOLTYP< (C) De La Rue Giori S.A.

format: GLGBNH

desig: A233HANS

dated: 16.7.1997

page:85

next page:86

item inst.place	designation quantity	part.no.	manufacturer type/order no.	technical data
-90A1-S061 +DT1	illuminated push b	1.000	RAF1 L0752250	Ed/Br:16.5;Us:250VAC;Is:4A
	lens	1.000	RAF1 L0752254	16.5;GE
	bulb/led	1.000	RAF1 L0752251	T4.5;24V;DC
			LUMOTAST75	
-90A1-S062 +DT1	illuminated push b	1.000	RAF1 L0752250	Ed/Br:16.5;Us:250VAC;Is:4A
	lens	1.000	RAF1 L0752254	16.5;GE
	bulb/led	1.000	RAF1 L0752251	T4.5;24V;DC
			LUMOTAST75	
-90A1-S063 +DT1	illuminated push b	1.000	RAF1 L0752250	Ed/Br:16.5;Us:250VAC;Is:4A
	lens	1.000	RAF1 L0752254	16.5;GE
	bulb/led	1.000	RAF1 L0752251	T4.5;24V;DC
			LUMOTAST75	
-90A1-S064 +DT1	illuminated push b	1.000	RAF1 L0752250	Ed/Br:16.5;Us:250VAC;Is:4A
	lens	1.000	RAF1 L0752254	16.5;GE
	bulb/led	1.000	RAF1 L0752251	T4.5;24V;DC
			LUMOTAST75	
-90A1-S065 +DT1	illuminated push b	1.000	RAF1 L0752250	Ed/Br:16.5;Us:250VAC;Is:4A
	lens	1.000	RAF1 L0752254	16.5;GE
	bulb/led	1.000	RAF1 L0752251	T4.5;24V;DC
			LUMOTAST75	
-90A1-S066 +DT1	illuminated push b	1.000	RAF1 L0752250	Ed/Br:16.5;Us:250VAC;Is:4A
	lens	1.000	RAF1 L0752254	16.5;GE
	bulb/led	1.000	RAF1 L0752251	T4.5;24V;DC
			LUMOTAST75	
-90A1-S067 +DT1	illuminated push b	1.000	RAF1 L0752250	Ed/Br:16.5;Us:250VAC;Is:4A
	lens	1.000	RAF1 L0752254	16.5;GE
	bulb/led	1.000	RAF1 L0752251	T4.5;24V;DC
			LUMOTAST75	
-90A1-S071 +DT1	illuminated push b	1.000	RAF1 L0752250	Ed/Br:16.5;Us:250VAC;Is:4A
	lens	1.000	RAF1 L0752254	16.5;GE
	bulb/led	1.000	RAF1 L0752251	T4.5;24V;DC
			LUMOTAST75	
-90A1-S072 +DT1	illuminated push b	1.000	RAF1 L0752250	Ed/Br:16.5;Us:250VAC;Is:4A
	lens	1.000	RAF1 L0752254	16.5;GE
	bulb/led	1.000	RAF1 L0752251	T4.5;24V;DC
			LUMOTAST75	
-90A1-S073 +DT1	illuminated push b	1.000	RAF1 L0752250	Ed/Br:16.5;Us:250VAC;Is:4A
	lens	1.000	RAF1 L0752254	16.5;GE
	bulb/led	1.000	RAF1 L0752251	T4.5;24V;DC
			LUMOTAST75	
-90A1-S074 +DT1	illuminated push b	1.000	RAF1 L0752250	Ed/Br:16.5;Us:250VAC;Is:4A
	lens	1.000	RAF1 L0752254	16.5;GE
			LUMOTAST75	

EQUIPMENT LIST

machine number: 621007un high item designation: =U

item inst.place	designation quantity part.no.	manufacturer type/order no.	technical data
	bulb/led 1.000 L0752251	RAFI LUMOTAST75	T4.5;24V;DC
-90A1-S075 +DT1	illuminated push b 1.000 L0752250	RAFI LUMOTAST75	Ed/Br:16.5;Us:250VAC;Is:4A
	lens 1.000 L0752254	RAFI LUMOTAST75	16.5;GE
	bulb/led 1.000 L0752251	RAFI LUMOTAST75	T4.5;24V;DC
-90A1-S076 +DT1	illuminated push b 1.000 L0752250	RAFI LUMOTAST75	Ed/Br:16.5;Us:250VAC;Is:4A
	lens 1.000 L0752254	RAFI LUMOTAST75	16.5;GE
	bulb/led 1.000 L0752251	RAFI LUMOTAST75	T4.5;24V;DC
-90A1-S077 +DT1	illuminated push b 1.000 L0752250	RAFI LUMOTAST75	Ed/Br:16.5;Us:250VAC;Is:4A
	lens 1.000 L0752254	RAFI LUMOTAST75	16.5;GE
	bulb/led 1.000 L0752251	RAFI LUMOTAST75	T4.5;24V;DC
-90A1-S081 +DT1	illuminated push b 1.000 L0752250	RAFI LUMOTAST75	Ed/Br:16.5;Us:250VAC;Is:4A
	lens 1.000 L0752254	RAFI LUMOTAST75	16.5;GE
	bulb/led 1.000 L0752251	RAFI LUMOTAST75	T4.5;24V;DC
-90A1-S082 +DT1	illuminated push b 1.000 L0752250	RAFI LUMOTAST75	Ed/Br:16.5;Us:250VAC;Is:4A
	lens 1.000 L0752254	RAFI LUMOTAST75	16.5;GE
	bulb/led 1.000 L0752251	RAFI LUMOTAST75	T4.5;24V;DC
-90A1-S083 +DT1	illuminated push b 1.000 L0752250	RAFI LUMOTAST75	Ed/Br:16.5;Us:250VAC;Is:4A
	lens 1.000 L0752254	RAFI LUMOTAST75	16.5;GE
	bulb/led 1.000 L0752251	RAFI LUMOTAST75	T4.5;24V;DC
-90A1-S084 +DT1	illuminated push b 1.000 L0752250	RAFI LUMOTAST75	Ed/Br:16.5;Us:250VAC;Is:4A
	lens 1.000 L0752254	RAFI LUMOTAST75	16.5;GE
	bulb/led 1.000 L0752251	RAFI LUMOTAST75	T4.5;24V;DC
-90A1-S085 +DT1	illuminated push b 1.000 L0752250	RAFI LUMOTAST75	Ed/Br:16.5;Us:250VAC;Is:4A
	lens 1.000 L0752254	RAFI LUMOTAST75	16.5;GE
	bulb/led 1.000 L0752251	RAFI LUMOTAST75	T4.5;24V;DC
-90A1-S086 +DT1	illuminated push b 1.000 L0752250	RAFI LUMOTAST75	Ed/Br:16.5;Us:250VAC;Is:4A
	lens 1.000 L0752254	RAFI LUMOTAST75	16.5;GE
	bulb/led 1.000 L0752251	RAFI LUMOTAST75	T4.5;24V;DC
-90A1-S087 +DT1	illuminated push b 1.000 L0752250	RAFI LUMOTAST75	Ed/Br:16.5;Us:250VAC;Is:4A
	lens 1.000 L0752254	RAFI LUMOTAST75	16.5;GE
	bulb/led 1.000 L0752251	RAFI LUMOTAST75	T4.5;24V;DC
-90A1-S091	illuminated push b	RAFI	Ed/Br:16.5;Us:250VAC;Is:4A
filter: (not ("I"\$GERAET)and(SYMBOLTYP<>"7")and(SYMBOLTYP<			(C) De La Rue Giori S.A.
format: GLGBNH	desig: A233HANS	dated: 16.7.1997	page:87 next page:88

EQUIPMENT LIST

machine number: 621007un high item designation: =U

item inst.place	designation quantity	part.no.	manufacturer type/order no.	technical data
+DT1	1.000	L0752250	LUMOTAST75	
	lens		RAFI	16.5;GE
	1.000	L0752254	LUMOTAST75	
	bulb/led		RAFI	T4.5;24V;DC
	1.000	L0752251	LUMOTAST75	
-90A1-S092 +DT1	1.000	L0752250	LUMOTAST75	Ed/Br:16.5;Us:250VAC;Is:4A
	lens		RAFI	16.5;GE
	1.000	L0752254	LUMOTAST75	
	bulb/led		RAFI	T4.5;24V;DC
	1.000	L0752251	LUMOTAST75	
-90A1-S093 +DT1	1.000	L0752250	LUMOTAST75	Ed/Br:16.5;Us:250VAC;Is:4A
	lens		RAFI	16.5;GE
	1.000	L0752254	LUMOTAST75	
	bulb/led		RAFI	T4.5;24V;DC
	1.000	L0752251	LUMOTAST75	
-90A1-S094 +DT1	1.000	L0752250	LUMOTAST75	Ed/Br:16.5;Us:250VAC;Is:4A
	lens		RAFI	16.5;GE
	1.000	L0752254	LUMOTAST75	
	bulb/led		RAFI	T4.5;24V;DC
	1.000	L0752251	LUMOTAST75	
-90A1-S095 +DT1	1.000	L0752250	LUMOTAST75	Ed/Br:16.5;Us:250VAC;Is:4A
	lens		RAFI	16.5;GE
	1.000	L0752254	LUMOTAST75	
	bulb/led		RAFI	T4.5;24V;DC
	1.000	L0752251	LUMOTAST75	
-90A1-S096 +DT1	1.000	L0752250	LUMOTAST75	Ed/Br:16.5;Us:250VAC;Is:4A
	lens		RAFI	16.5;GE
	1.000	L0752254	LUMOTAST75	
	bulb/led		RAFI	T4.5;24V;DC
	1.000	L0752251	LUMOTAST75	
-90A1-S097 +DT1	1.000	L0752250	LUMOTAST75	Ed/Br:16.5;Us:250VAC;Is:4A
	lens		RAFI	16.5;GE
	1.000	L0752254	LUMOTAST75	
	bulb/led		RAFI	T4.5;24V;DC
	1.000	L0752251	LUMOTAST75	
-90A1-S101 +DT1	1.000	L0752250	LUMOTAST75	Ed/Br:16.5;Us:250VAC;Is:4A
	lens		RAFI	16.5;GE
	1.000	L0752254	LUMOTAST75	
	bulb/led		RAFI	T4.5;24V;DC
	1.000	L0752251	LUMOTAST75	
-90A1-S102 +DT1	1.000	L0752250	LUMOTAST75	Ed/Br:16.5;Us:250VAC;Is:4A
	lens		RAFI	16.5;GE
	1.000	L0752254	LUMOTAST75	
	bulb/led		RAFI	T4.5;24V;DC
	1.000	L0752251	LUMOTAST75	
-90A1-S103 +DT1	1.000	L0752250	LUMOTAST75	Ed/Br:16.5;Us:250VAC;Is:4A
	lens		RAFI	16.5;GE
	1.000	L0752254	LUMOTAST75	
	bulb/led		RAFI	T4.5;24V;DC
	1.000	L0752251	LUMOTAST75	
-90A1-S104 +DT1	1.000	L0752250	LUMOTAST75	Ed/Br:16.5;Us:250VAC;Is:4A
	lens		RAFI	16.5;GE
	1.000	L0752254	LUMOTAST75	
	bulb/led		RAFI	T4.5;24V;DC

filter: (not ("I"\$GERAET) and (SYMBOLTYP<>"7") and (SYMBOLTYP< (C) De La Rue Giori S.A.

format: GLGBNH

desig: A233HANS

dated: 16.7.1997

page:88

next page:89

EQUIPMENT LIST		machine number: 621007un high item designation: =U			
item inst.place	designation quantity	part.no.	manufacturer type/order no.	technical data	
	1.000	L0752251	LUMOTAST75		
-90A1-S105 +DT1	illuminated push b	1.000	L0752250	RAFII LUMOTAST75	Ed/Br:16.5;Us:250VAC;Is:4A
	lens	1.000	L0752254	RAFII LUMOTAST75	16.5;GE
	bulb/led	1.000	L0752251	RAFII LUMOTAST75	T4.5;24V;DC
-90A1-S106 +DT1	illuminated push b	1.000	L0752250	RAFII LUMOTAST75	Ed/Br:16.5;Us:250VAC;Is:4A
	lens	1.000	L0752254	RAFII LUMOTAST75	16.5;GE
	bulb/led	1.000	L0752251	RAFII LUMOTAST75	T4.5;24V;DC
-90A1-S107 +DT1	illuminated push b	1.000	L0752250	RAFII LUMOTAST75	Ed/Br:16.5;Us:250VAC;Is:4A
	lens	1.000	L0752254	RAFII LUMOTAST75	16.5;GE
	bulb/led	1.000	L0752251	RAFII LUMOTAST75	T4.5;24V;DC
-90A1-S0201 +DT1	illuminated push b	1.000	L0752250	RAFII LUMOTAST75	Ed/Br:16.5;Us:250VAC;Is:4A
	lens	1.000	L0752254	RAFII LUMOTAST75	16.5;GE
	bulb/led	1.000	L0752251	RAFII LUMOTAST75	T4.5;24V;DC
-90A1-S0202 +DT1	illuminated push b	1.000	L0752250	RAFII LUMOTAST75	Ed/Br:16.5;Us:250VAC;Is:4A
	lens	1.000	L0752254	RAFII LUMOTAST75	16.5;GE
	bulb/led	1.000	L0752251	RAFII LUMOTAST75	T4.5;24V;DC
-90A1-S0203 +DT1	illuminated push b	1.000	L0752250	RAFII LUMOTAST75	Ed/Br:16.5;Us:250VAC;Is:4A
	lens	1.000	L0752254	RAFII LUMOTAST75	16.5;GE
	bulb/led	1.000	L0752251	RAFII LUMOTAST75	T4.5;24V;DC
-90A1-S0204 +DT1	illuminated push b	1.000	L0752250	RAFII LUMOTAST75	Ed/Br:16.5;Us:250VAC;Is:4A
	lens	1.000	L0752254	RAFII LUMOTAST75	16.5;GE
	bulb/led	1.000	L0752251	RAFII LUMOTAST75	T4.5;24V;DC
-90A1-S0205 +DT1	illuminated push b	1.000	L0752250	RAFII LUMOTAST75	Ed/Br:16.5;Us:250VAC;Is:4A
	lens	1.000	L0752254	RAFII LUMOTAST75	16.5;GE
	bulb/led	1.000	L0752251	RAFII LUMOTAST75	T4.5;24V;DC
-90A1-S0206 +DT1	illuminated push b	1.000	L0752250	RAFII LUMOTAST75	Ed/Br:16.5;Us:250VAC;Is:4A
	lens	1.000	L0752254	RAFII LUMOTAST75	16.5;GE
	bulb/led	1.000	L0752251	RAFII LUMOTAST75	T4.5;24V;DC
-90A1-S0207 +DT1	illuminated push b	1.000	L0752250	RAFII LUMOTAST75	Ed/Br:16.5;Us:250VAC;Is:4A
	lens	1.000	L0752254	RAFII LUMOTAST75	16.5;GE
	bulb/led	1.000	L0752251	RAFII LUMOTAST75	T4.5;24V;DC
-90A1-S0208 +DT1	illuminated push b	1.000	L0752250	RAFII LUMOTAST75	Ed/Br:16.5;Us:250VAC;Is:4A

filter: (not ("I"\$GERAET)and(SYMBOLTYP<>"7")and(SYMBOLTYP< (C) De La Rue Giori S.A.

format: GLGBNH

desig: A233HANS

dated: 16.7.1997

page:89

next page:90

EQUIPMENT LIST

machine number: 621007un high item designation: =U

item inst.place	designation quantity	part.no.	manufacturer type/order no.	technical data
	lens		RAFI	
	1.000	L0752254	LUMOTAST75	16.5;GE
	bulb/led		RAFI	
	1.000	L0752251	LUMOTAST75	T4.5;24V;DC

filter: (not ("I"\$GERAET) and (SYMBOLTYP<>"7") and (SYMBOLTYP< (C) De La Rue Giori S.A.
format: GLGBNH desig: A233HANS dated: 16.7.1997 page:90 next page:91

EQUIPMENT LIST machine number: 621007un high item designation: =V

item inst.place	designation quantity part.no.	manufacturer type/order no.	technical data
-10F1 +K2S	prot.motor switch 1.000 L0057713 accessory/special 1.000 L0057723	KLOECKNER-MOELLER PKZM1-0,6 KLOECKNER-MOELLER NHI11-PKZM1	0.4-0.6A;690V UE:500V,AMAX.6,1S10,AQ:2.5
-10K1 +K2S	contactor/relay 1.000 L0052021	ABB BC7-30-10	Ub:19-26V;DC;Phal:3.5VA;S-el:3 H1S;Us:500V;Ps:440V/5.5KW
-10M1 +V	1.000 L6620561		

filter: (not ("I"\$GERAET)and(SYMBOLTYP<>"7")and(SYMBOLTYP< (C) De La Rue Giori S.A.

format: GLGENH desig: A233HANS dated: 16.7.1997 page:91 next page:92

item inst.place	designation quantity part.no.	manufacturer type/order no.	technical data
-1S1 +Z	limit/posit.switch 1.000 L0752641 accessory/special 1.000 L0752642	SCHMERSAL AZ15ZVRK SCHMERSAL B1	230VAC;4A 56*28*16MM
-1S2 +Z	limit/posit.switch 1.000 L0752641 accessory/special 1.000 L0752642	SCHMERSAL AZ15ZVRK SCHMERSAL B1	230VAC;4A 56*28*16MM
-1S3 +Z	limit/posit.switch 1.000 L0752641 accessory/special 1.000 L0752642	SCHMERSAL AZ15ZVRK SCHMERSAL B1	230VAC;4A 56*28*16MM
-1S4 +Z	limit/posit.switch 1.000 L0752641 accessory/special 1.000 L0752642	SCHMERSAL AZ15ZVRK SCHMERSAL B1	230VAC;4A 56*28*16MM
-1X1 +Z	adapter/plug eleme 1.000 L0725322 plug/socket 4.000 L0752977	MURRELEKTRONIK MVSS-J-276047 MURRELEKTRONIK 27625	Un:24V; In:2 (50VA) A; Ans:4+1 5pol.; 250V; 3A; 0.75mm2
-4S1 +Z	limit/posit.switch 1.000 L0752641 accessory/special 1.000 L0752642	SCHMERSAL AZ15ZVRK SCHMERSAL B1	230VAC;4A 56*28*16MM
-4S2 +Z	limit/posit.switch 1.000 L0752641 accessory/special 1.000 L0752642	SCHMERSAL AZ15ZVRK SCHMERSAL B1	230VAC;4A 56*28*16MM
-4S3 +Z	limit/posit.switch 1.000 L0752641 accessory/special 1.000 L0752642	SCHMERSAL AZ15ZVRK SCHMERSAL B1	230VAC;4A 56*28*16MM
-4S4 +Z	limit/posit.switch 1.000 L0752641 accessory/special 1.000 L0752642	SCHMERSAL AZ15ZVRK SCHMERSAL B1	230VAC;4A 56*28*16MM
-4X1 +Z	adapter/plug eleme 1.000 L0725322 plug/socket 4.000 L0752977	MURRELEKTRONIK MVSS-J-276047 MURRELEKTRONIK 27625	Un:24V; In:2 (50VA) A; Ans:4+1 5pol.; 250V; 3A; 0.75mm2
-5S1 +Z	limit/posit.switch 1.000 L0752641 accessory/special 1.000 L0752642	SCHMERSAL AZ15ZVRK SCHMERSAL B1	230VAC;4A 56*28*16MM
-5S2 +Z	limit/posit.switch 1.000 L0752641 accessory/special 1.000 L0752642	SCHMERSAL AZ15ZVRK SCHMERSAL B1	230VAC;4A 56*28*16MM
-5S3 +Z	limit/posit.switch 1.000 L0752641 accessory/special 1.000 L0752642	SCHMERSAL AZ15ZVRK SCHMERSAL B1	230VAC;4A 56*28*16MM
-5X1 +Z	adapter/plug eleme 1.000 L0725322 plug/socket 4.000 L0752977	MURRELEKTRONIK MVSS-J-276047 MURRELEKTRONIK 27625	Un:24V; In:2 (50VA) A; Ans:4+1 5pol.; 250V; 3A; 0.75mm2
-10S1 +Z	limit/posit.switch 1.000 L0752641 accessory/special 1.000 L0752642	SCHMERSAL AZ15ZVRK SCHMERSAL B1	230VAC;4A 56*28*16MM

EQUIPMENT LIST

machine number: 621007un high item designation: =Z

item inst.place	designation quantity part.no.	manufacturer type/order no.	technical data
-10S2 +Z	limit/posit.switch 1.000 L0752641 accessory/special 1.000 L0752642	SCHMERSAL AZ15ZVRK SCHMERSAL B1	230VAC;4A 56*28*16MM
-10S3 +Z	limit/posit.switch 1.000 L0752641 accessory/special 1.000 L0752642	SCHMERSAL AZ15ZVRK SCHMERSAL B1	230VAC;4A 56*28*16MM
-10S4 +Z	limit/posit.switch 1.000 L0752641 accessory/special 1.000 L0752642	SCHMERSAL AZ15ZVRK SCHMERSAL B1	230VAC;4A 56*28*16MM
-10X1 +Z	adapter/plug eleme 1.000 L0725322 plug/socket 4.000 L0752977	MURRELEKTRONIK MVSS-J-276047 MURRELEKTRONIK 27625	Un:24V;In:2 (50VA)A;Ans:4+1 5pol.;250V;3A;0.75mm2
-15S1 +Z	limit/posit.switch 1.000 L0752641 accessory/special 1.000 L0752642	SCHMERSAL AZ15ZVRK SCHMERSAL B1	230VAC;4A 56*28*16MM
-15S2 +Z	limit/posit.switch 1.000 L0752641 accessory/special 1.000 L0752642	SCHMERSAL AZ15ZVRK SCHMERSAL B1	230VAC;4A 56*28*16MM
-15S3 +Z	limit/posit.switch 1.000 L0752641 accessory/special 1.000 L0752642	SCHMERSAL AZ15ZVRK SCHMERSAL B1	230VAC;4A 56*28*16MM
-15S4 +Z	limit/posit.switch 1.000 L0752641 accessory/special 1.000 L0752642	SCHMERSAL AZ15ZVRK SCHMERSAL B1	230VAC;4A 56*28*16MM
-15X1 +Z	adapter/plug eleme 1.000 L0725322 plug/socket 4.000 L0752977	MURRELEKTRONIK MVSS-J-276047 MURRELEKTRONIK 27625	Un:24V;In:2 (50VA)A;Ans:4+1 5pol.;250V;3A;0.75mm2
-20S1 +Z	limit/posit.switch 1.000 L0752641 accessory/special 1.000 L0752642	SCHMERSAL AZ15ZVRK SCHMERSAL B1	230VAC;4A 56*28*16MM
-20S2 +Z	limit/posit.switch 1.000 L0752641 accessory/special 1.000 L0752642	SCHMERSAL AZ15ZVRK SCHMERSAL B1	230VAC;4A 56*28*16MM
-20S3 +Z	limit/posit.switch 1.000 L0752641 accessory/special 1.000 L0752642	SCHMERSAL AZ15ZVRK SCHMERSAL B1	230VAC;4A 56*28*16MM
-20X1 +Z	adapter/plug eleme 1.000 L0725322 plug/socket 4.000 L0752977	MURRELEKTRONIK MVSS-J-276047 MURRELEKTRONIK 27625	Un:24V;In:2 (50VA)A;Ans:4+1 5pol.;250V;3A;0.75mm2
-30S1 +Z	limit/posit.switch 1.000 L0752641 accessory/special 1.000 L0752642	SCHMERSAL AZ15ZVRK SCHMERSAL B1	230VAC;4A 56*28*16MM
-30S2 +Z	limit/posit.switch 1.000 L0752641 accessory/special 1.000 L0752642	SCHMERSAL AZ15ZVRK SCHMERSAL B1	230VAC;4A 56*28*16MM

filter: (not ("I"\$GERAET)and(SYMBOLTYP<>"7")and(SYMBOLTYP< (C) De La Rue Giori S.A.

format: GLGBNH

desig: A233HANS

dated: 16.7.1997

page:93

next page:94

EQUIPMENT LIST

machine number: 621007un

high item designation: =Z

item inst.place	designation quantity part.no.	manufacturer type/order no.	technical data
-30S3 +Z	limit/posit.switch 1.000 L0752641 accessory/special 1.000 L0752642	SCHMERSAL AZ15ZVRK SCHMERSAL B1	230VAC;4A 56*28*16MM
-30S4 +Z	limit/posit.switch 1.000 L0752641 accessory/special 1.000 L0752642	SCHMERSAL AZ15ZVRK SCHMERSAL B1	230VAC;4A 56*28*16MM
-30X1 +Z	adapter/plug eleme 1.000 L0725322 plug/socket 4.000 L0752977	MURRELEKTRONIK MVSS-J-276047 MURRELEKTRONIK 27625	Un:24V;In:2 (50VA)A;Ans:4+1 5pol.;250V;3A;0.75mm2
-31S1 +Z	limit/posit.switch 1.000 L0752641 accessory/special 1.000 L0752642	SCHMERSAL AZ15ZVRK SCHMERSAL B1	230VAC;4A 56*28*16MM
-31X1 +Z	adapter/plug eleme 1.000 L0725322 plug/socket 4.000 L0752977	MURRELEKTRONIK MVSS-J-276047 MURRELEKTRONIK 27625	Un:24V;In:2 (50VA)A;Ans:4+1 5pol.;250V;3A;0.75mm2
-32S1 +Z	limit/posit.switch 1.000 L0752641 accessory/special 1.000 L0752642	SCHMERSAL AZ15ZVRK SCHMERSAL B1	230VAC;4A 56*28*16MM
-32S2 +Z	limit/posit.switch 1.000 L0752641 accessory/special 1.000 L0752642	SCHMERSAL AZ15ZVRK SCHMERSAL B1	230VAC;4A 56*28*16MM
-32S3 +Z	limit/posit.switch 1.000 L0752641 accessory/special 2.000 L0752642	SCHMERSAL AZ15ZVRK SCHMERSAL B1	230VAC;4A 56*28*16MM
-32X1 +Z	adapter/plug eleme 1.000 L0725322 plug/socket 4.000 L0752977	MURRELEKTRONIK MVSS-J-276047 MURRELEKTRONIK 27625	Un:24V;In:2 (50VA)A;Ans:4+1 5pol.;250V;3A;0.75mm2
-33S1 +Z	limit/posit.switch 1.000 L0752641 accessory/special 1.000 L0752642	SCHMERSAL AZ15ZVRK SCHMERSAL B1	230VAC;4A 56*28*16MM
-33S2 +Z	limit/posit.switch 1.000 L0752641 accessory/special 1.000 L0752642	SCHMERSAL AZ15ZVRK SCHMERSAL B1	230VAC;4A 56*28*16MM
-33S3 +Z	limit/posit.switch 1.000 L0752641 accessory/special 1.000 L0752642	SCHMERSAL AZ15ZVRK SCHMERSAL B1	230VAC;4A 56*28*16MM
-33X1 +Z	adapter/plug eleme 1.000 L0725322 plug/socket 4.000 L0752977	MURRELEKTRONIK MVSS-J-276047 MURRELEKTRONIK 27625	Un:24V;In:2 (50VA)A;Ans:4+1 5pol.;250V;3A;0.75mm2

filter: (not ("I"\$GERAET) and (SYMBOLTYP<>"7") and (SYMBOLTYP<

format: GLGBNH

desig: A233HANS

dated: 16.7.1997

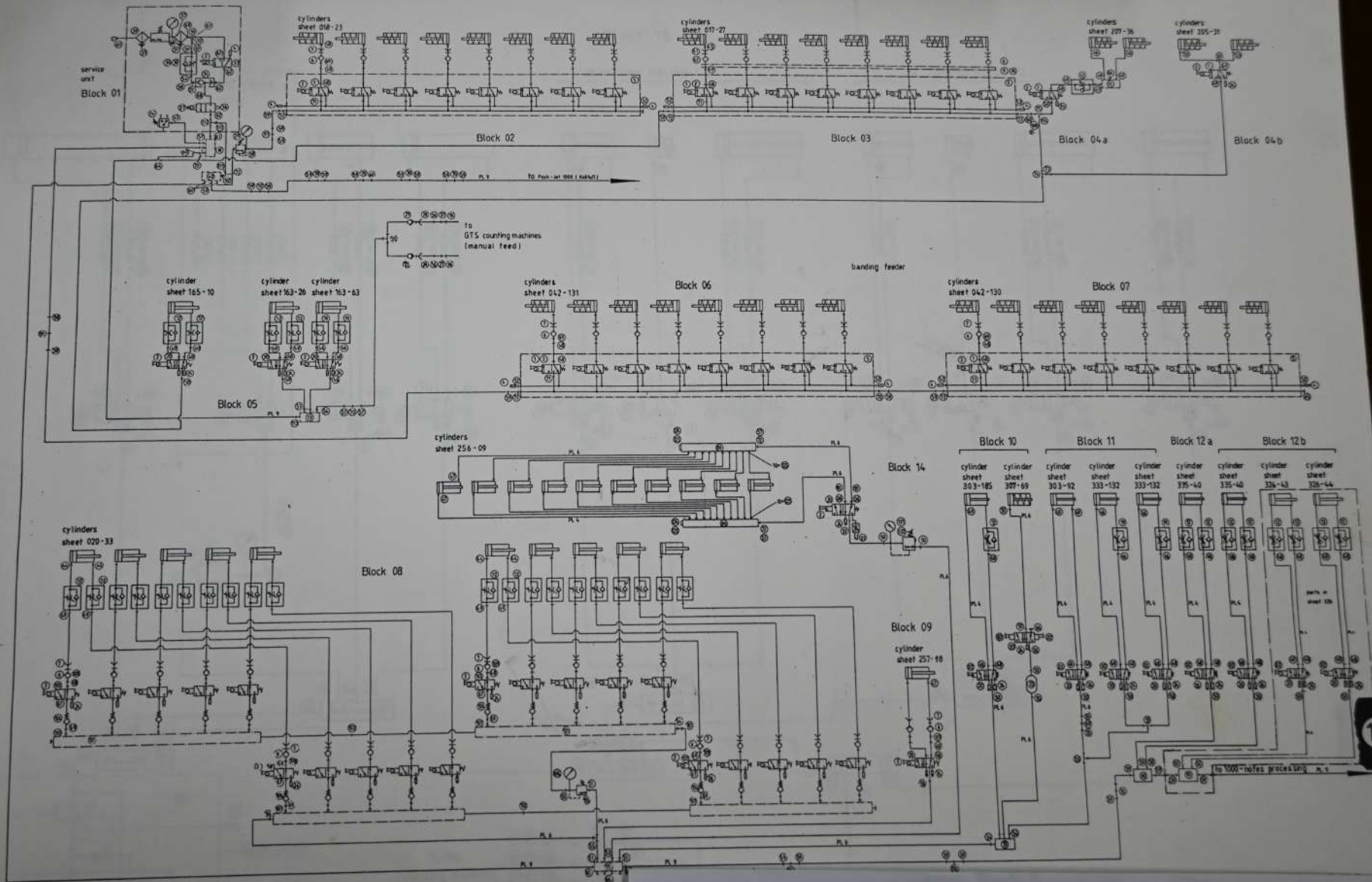
page:94

next page:

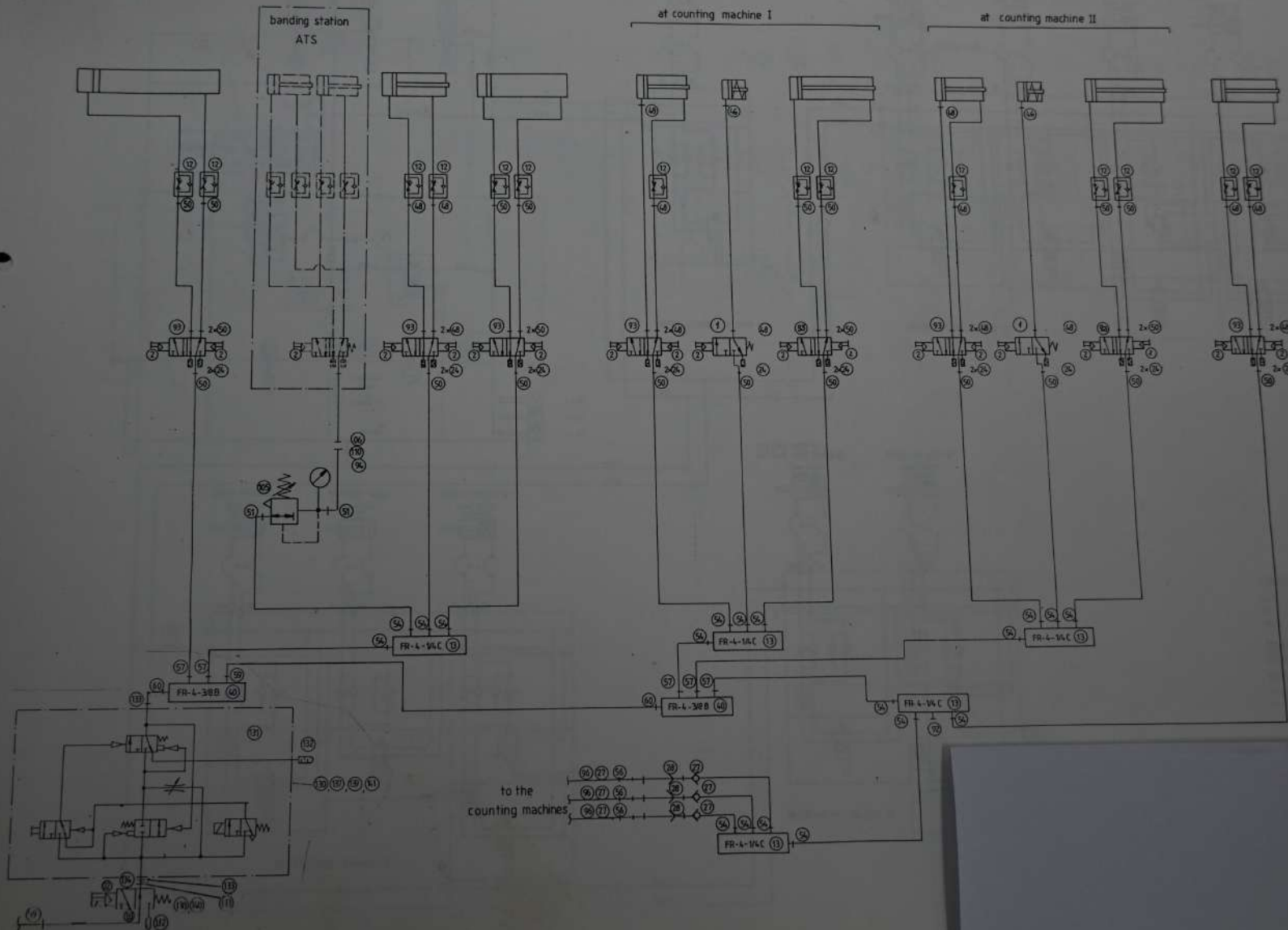
(C) De La Rue Giori S.A.

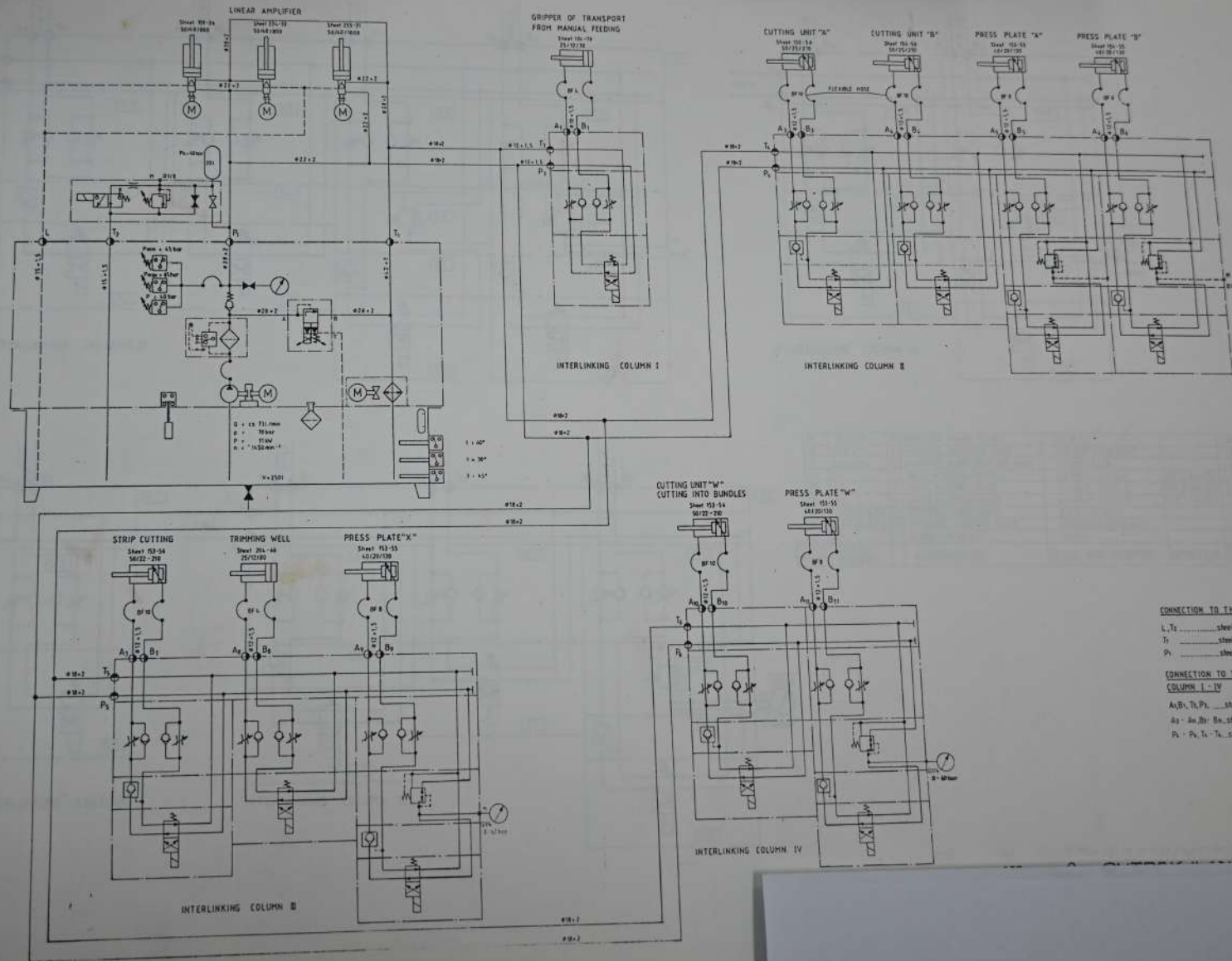
EQUIPMENT LIST machine number: 621007un high item designation: = K

item inst. place	designation quantity part no.	manufacturer type/order no.	technical data
<u>-G4M2</u> <u>+K2</u>	Blower 1.000 K105596	ELECTROR KARL W. MOLLER 17-060	3 ϕ AC, Δ 220-300/Y380-520 V. 2.3, 3.0 / 1.3, 2.0 TR0P 3.1, 2.8 / 1.8, 1.6 Amp. 0.62, 0.98 KW, 50/60 Hz. 2780 / 3380 RPM Cos ϕ - 0.8, KI-B, IP54 22/27 m ³ /min.
<u>-G4M3</u> <u>+K2</u>	Blower 1.000 K102228	M4E 068-CFO1 -39	1 ϕ AC, 220V _w , 50 Hz, 0.33A, 28W, 1250 RPM, 2 μ F, 400 VDB
<u>-G7M2</u> <u>+K2</u>	DC Gear Motor 1.000 K102170	WEG KGG 223	G-Motor, IP 22 Anker A-B 220V, 1.15A Feld I-K 200V, 0.14A 185W, 3000 RPM, Isol KI-B Getz G 11-10 i 24.1 VDE 0530 12.84



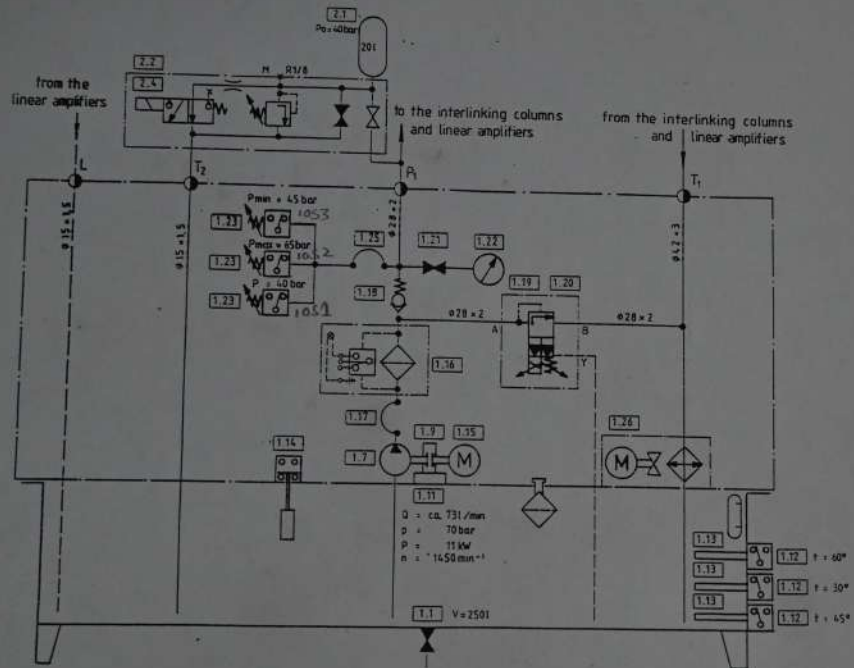
Block 15





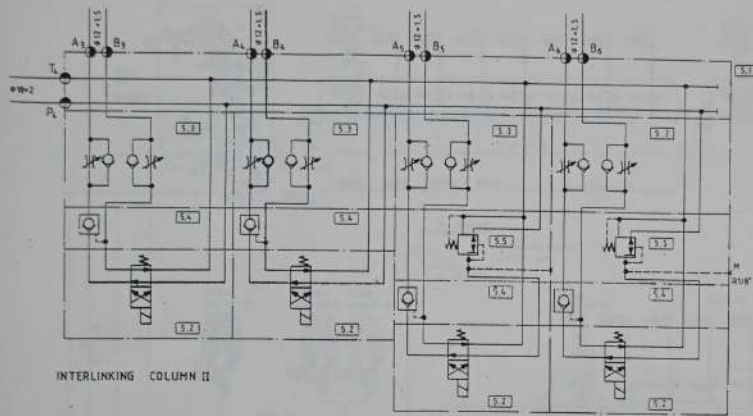
CONNECTION TO THE HYDRAULIC UNIT
 L, T₁ steel pipe AD 12
 T₂ steel pipe AD 42
 P₁ steel pipe AD 28

CONNECTION TO THE INTERLINKING COLUMN I-IV
 A₁, B₁, T₁, P₁ steel pipe 5/3/8
 A₂ - A_n, B₂ - B_n steel pipe 6/1/2
 P₂ - P_n, T₂ - T_n steel pipe 6/3/4

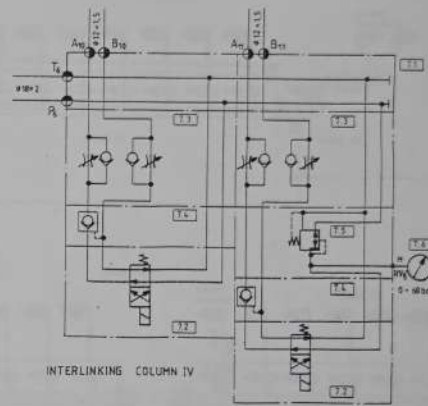


1053 - pressure control 60 bar (Max)
 1052 - Pressure control Min 40 bar
 1051 - pressure control 35 bar

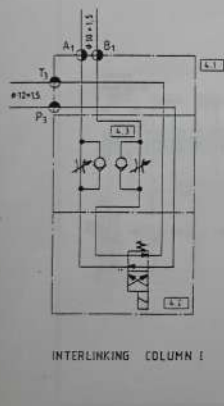
position part list	SERIAL-NUMBER	DESIGNATION	DETAIL FOR ORDERING	NOTATION	NUMBER OF PART
21	2.4	THREE WAY PUMP VALVE	M-3SE 402X/315G24RZ4/315		1.664.5910
20	2.2	ACCUM SAFETY-ISOLATING DEVICE	SA 32 E27/ 1000/PP 8		1.662.998.6
19	2.1	BLADDER ACCUMULATOR	AB42-01 50.210-100A 1.112-		1.662.9070
18	1.7.6	HEAT EXCHANGER OIL / AIR	AB 32-38 2.7805 231 31		1.662.0860
17	1.25	MEASURING LINE	L 1000 AB20-11		1.662.9950
16	1.23	PISTON TYPE PRESSURE SWITCH	ME 040A 1X / 100/15 L 24 G		1.664.0950
15	1.22	PRESSURE GAUGE	100/100 AB 31-10		1.664.5960
14	1.21	PRESSURE GAUGE ISOLATOR VALVE	AB 21-15		1.662.9960
13	1.20	CONNECTION PLATE	G 409 / T		1.662.9920
12	1.19	PROPORTIONAL VALVE	D 0 E M 20-3 X / 100 Y		1.664.581.8
11	1.18	CHECK VALVE	S 20 A 1 X		1.664.582.8
10	1.17	PRESSURE HOSE	H100/28 L X 300		1.664.581.9
09	1.16	FILTER COMPLETE	LFBWMCBMB001.0/L124		1.662.9020
		ONLY FILTER ELEMENT	0330 D 10 B/MC		1.664.590.0
08	1.15	MOTOR	11 kW		1.662.99010
07	1.14	FLOAT SWITCH	AB 31-04		1.664.5890.0
06	1.13	SCREW SLEEVE	AB 31-22		1.662.906.0
05	1.12	THERMOSTAT	9° - 140°		1.664.5880.0
04	1.11	PUMP SUPPORT FOOT	AB 33-33/E 350-2		1.662.9990
03	1.9	COUPLING	AB 33-22 KD 38		1.662.9050
02	1.7	INTERNAL GEAR PUMP	1PP 2 GM 2 1X/50RE 07 H4	70 Liter 70 bar	1.662.9070
01	1.1	OIL TANK	HG 250	AB 40-01	1.662.8960



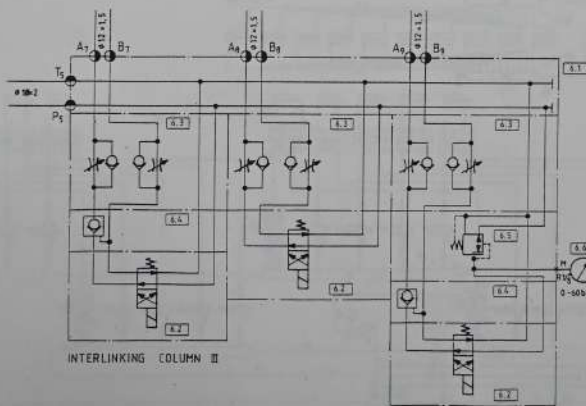
INTERLINKING COLUMN II



INTERLINKING COLUMN IV



INTERLINKING COLUMN I



INTERLINKING COLUMN III

06	4.6/7.6	2	PRESSURE GAUGE 1M/60	AN 30-10			L.682 P10.0
08	5.6/6.3/7.6	6	PRESSURE REDUCING VALVE	22R W SP-2.6/2.7/3.1M			L.682 P11.1
07	5.6/6.3/7.6	8	SANDWICH PLATE - SHUT OFF VALVE	2.2 STD AT-1X			L.689 MALL
05	7.1	1	VALVE ASSEMBLY PLATE	2.4 SR 10-18/17.0	FOR 2 VALVES		L.682 P12.0
05	8.1	1	VALVE ASSEMBLY PLATE	1M SR 10-18/17.0	FOR 3 VALVES		L.682 P11.0
05	5.1	1	VALVE ASSEMBLY PLATE	1.4 SR 10-18/17.0	FOR 4 VALVES		L.682 P10.0
03	4.7/5.3/5.1/3	10	THROTTLE CHECK VALVE	2.2 PS 10-20/V			L.688 P07.1
02	4.2/5.2/5.2/7.2	10	DIRECTIONAL CONTROL VALVE	4.4 WE 10 D/2/AS24KZ.4			L.688 P11.1
01	4.1	1	CONNECTION PLATE	0.66/1			L.682 P08.0
00			DESIGNATION	DETAIL, FOR ORDERING			NUMBERS OF PART