

Tel. No.0253 2461471/2461318

EPABX No.0253-2463730 to 39

चलार्थ पत्र मुद्रणालय

CURRENCY NOTE PRESS

CIN:U22213DL2006GOI144763

GST No:27AAJCS6111J3Z6

(भारत प्रतिभूत मुद्रण तथा मुद्रा निर्माण निगम लिमिटेड की इकाई)  
(A UNIT OF SECURITY PRINTING AND MINTING CORPORATION OF INDIA LIMITED)

(भारत सरकार के पूण स्वामित्वाधीन)

(WHOLLY OWNED BY GOVT. OF INDIA)

(मिनिरत्न श्रेणी - I सीपीएसई)

(MINIRATNA CATEGORY- I CPSE)

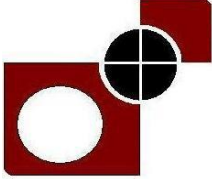
(जेलरोड, नासिकरोड- 422 101 (महाराष्ट्र))

(JAIL ROAD, NASHIK ROAD - 422 101)

(आई.एस.ओ. 9001-2008 एवं आई.एस.ओ. 14001 प्रमाणित इकाई)

(ISO : 9001-2008 & ISO 14001 CERTIFIED UNIT)

वैबसाईट / Website: <http://cnpnashik.spmcil.com>



फ़ाइल क्र.सीएनपी/198-14/ELE/2023-2024

दिनांक :30.09.2023

### शुद्धि-पत्र-I CORRIGENDUM-I

संदर्भ : हमारी निविदा क्र. 6000018391/MSTC-E-82

दिनांक : 02.09.2023

Ref: Our Tender No. 6000018391/MSTC-E-82

Dated : 02.09.2023

हमारी वेबसाइट पर प्रकाशित की गई उपरोक्त निविदा के संदर्भ में, इसमें शुद्धि-पत्र-I के तहत निम्न संशोधन जारी किए जा रहे हैं।

With reference to our above Tender which was published on the website, further to this the following amendment is being issued under Corrigendum-I.

क्र./ SR. No.	विवरण Section/Page No./Clause No. (Reference : Webcast Tender Document)	वर्तमान प्रविष्टि के लिए (के स्थान पर) For Existing Entry (In Place of)	अब इस प्रकार पढ़ें Now Read as
1	Closing Date and Time for receipt of Tender	03.10.2023 at 14.30 Hours	17.10.2023 at 14.30 Hours
2	Open Date and Time of Tender	03.10.2023 at 15.00 Hours	17.10.2023 at 15.00 Hours
3	Amendment	1. Annexure-I ( Amendment in Tender ) 2. Annexure -II ( BOM list Details) 3. Annexure-III ( Line Diagram) 4. Annexure-IV ( Revised Price Schedule)	

उपरोक्त निविदा की बाकी सभी नियमों एवं शर्तों में कोई परिवर्तन नहीं होगा।

All other terms and conditions of above referred Tender shall remain unaltered.

-Sd/-

संयुक्त महाप्रबंधक (सामाग्री)/ Jt. General Manager (Materials)

कृते मुख्य महा प्रबंधक / For Chief General Manager

पंजीकृत कार्यालय : 16 वी मंजिल, जवाहर व्यापार भवन, जनपथ, नई दिल्ली - 110 001°

Regd. Office : 16th Floor, Jawahar Vyapar Bhavan, Janpath, New Delhi - 110 001.

Tel.No.00-91-11-23701225-26, 011-43582200 & 23701141-42, Fax No. : 00-91-11-23701223, E-mail :

info@spmcil.com "

" हम हिंदी पत्राचार का स्वागत करते है।

**AMENDMENT FOR THE MSTC EVENT NO.82 (6000018391)- TENDER DOCUMENT FOR S.I.T.C FOR UP-GRADATION OF EXISTING MACHINE CONTROL SYSTEM WITH LATEST VAERSION PLC SYSTEM MACHINE PROGRAM SOFTWARE ALONG WITH ELECTRICAL/ELECTRONICS HARDWARE OF MACHINE (ANNEXURE-I)**

Sr no	Point no	Description	For	Read
1		<b>General</b>		Bill of Material & PLC IO's details will be provided along with corrigendum. (Annexure-II) Electrical circuit diagram will be provided to successful bidder.
2	1	<b>Section VI: List of Requirements</b>	1. Required Delivery Schedule: The successful bidder has to work to be completed within 10 Months from the date of issue of Purchase Order	The successful bidder has to complete the scope of work within 12 months from the date of issue of Purchase Order.
3	10	<b>Section VI: List of Requirements</b>	<p>1. Payment Terms :</p> <p>i. On supply of material 80% of cost of material with proof of bill of material will be given against submission of security deposit of amount and suitability &amp; acceptance of material.</p> <p>ii. On completion of FAT (Final Acceptance Certificate)</p> <p>a) Balance 20% payment of Cost of Material Supply.</p> <p>b) 100% cost of installation and commissioning.</p>	<p>Since there is no bifurcation of material cost &amp; service cost in section XI price schedule. In commensurate to the payment terms. A revised price schedule is enclosed ( Annexure-IV)</p> <p>1. Payment Terms :</p> <p>i. 80% payment of material price with 100% tax shall be paid upon submission of Bank guarantee for 100% invoice value of material price and suitability &amp; acceptance of material.</p> <p>ii. On Completion of FAT (Final Acceptance of certificate)</p> <p>a) Balance 20% payment of Cost of Material supply.</p> <p>b) 100% Cost of Installation and Commissioning.</p> <p>OR Alternatively</p> <p>i. 100% Payment after on completion of FAT ( Final Acceptance Test) and issuing of FAC (Final Acceptance Certificate)</p> <p>Note : Bidder will have to confirm which payment terms accept mentioned in technical bid.</p>
		<b>SECTION VII: TECHNICAL SPECIFICATIONS</b>		
4	5	<b>2.0 Scope of Work</b>	Point No.5	In addition to existing Pt. No. 05 following is clarified : Tender is for up gradation of electrical and electronics only with minimal mechanical changes without hampering the accuracy and smooth functioning of the machine. BOM along with list of IOs provided as Annexure-II
4	8	<b>2.0 Scope of Work</b>	8. Replacement of the all AC and DC motors of all units including Hydraulic unit.	Replacement of the all AC and DC motors of all units. Solenoid Coils & Valves Line diagram of pneumatic & Hydraulic circuits will be provided along with corrigendum. (Annexure-III). For pneumatic and hydraulic circuit solenoid coils and valves is to be replaced.

## ANNEXURE - II

### PLC Listing of CUTPAK Machine

SR.No	Station	PLC Description	Qty used	Inputs	Output
1	Main Panel (E)	T-300 (ABB Make)	1	110	69
2		07KT93 (ABB Make)	1	24	16
3		ICDG32L1 (ABB Make)	3	48	48
4	Hydraulics (H)	T-300 (ABB Make)	1	10	2
5	Eject station (U)	07KT93 (ABB Make)	1	24	16
6		ICDG32L1 (ABB Make)	4	64	64
7	Feeding (A)	T-300 (ABB Make)	1	21	59
8		35TP90 (ABB Make)	1	9	12
9	sheet cut (B)	T-300 (ABB Make)	1	33	28
10	Stripe banding (R)	T-300 (ABB Make)	1	13	8
11		35TP90 (ABB Make)	2	18	24
12	Stripe collecting (S)	T-300 (ABB Make)	1	20	13
13	Bundle Cutting (F)	T-300 (ABB Make)	1	15	11
14	Bundle Separate (G)	T-300 (ABB Make)	1	51	31
15		35TP90 (ABB Make)	2	18	24
16	Collect Number in sequence (N)	T-300 (ABB Make)	1	59	38
17	1000 note station (T)	07KT93 (ABB Make)	1	24	16
18		ICDG32L1 (ABB Make)	3	48	48
19	Kallfass (K)	07KT93 (ABB Make)	1	24	16
20		ICDG32L1 (ABB Make)	2	32	32
21		ICSM06A6 (ABB Make)	1	16	16
22	Trapo (P)	T-300 (ABB Make)	1	1	0
23		07KT93 (ABB Make)	1	24	16
24		ICDG32L1 (ABB Make)	2	32	32
25	Safety Fence (Z)	T-300 (ABB Make)	1	17	0
26	Counting Machine	07KT93 (ABB Make)	4	96	64

Total 851 703

**Note :All above PLC are connected through Arcnet Hub RS232**

*-These are known I/O's from the m/c.*

## EQUIPMENT LIST

machine number: 621007un high item designation: =A

item inst.place	designation quantity part.no.	manufacturer type/order no.	technical data
-1F1 +E1S	prot.motor switch 1.000 L0057711 accessory/special 1.000 L0057723	KLOECKNER-MOELLER PKZM1-0,24 KLOECKNER-MOELLER NHI11-PKZM1	0.16-0.24A;690V UE:500V,AMAX.6,1S10,AQ:2.5
-1F2 +E1S	fuse cartridge 3.000 L0755441 accessory/special 1.000 L0754157 screwed cap 3.000 L0754600 fuse insert 3.000 L0754740 fuse holder 1.000 L0754156	SIEMENS AG DIN49515-DIIGR* 16* RITTAL SV3428 FEGA GMBH DIN49514-DII-500 MAINLAND GMBH DIN49516-DII*16 RITTAL SV3427	DII;FF16A;500V E27,3POL,42*230MM,F.SV3427 E27;25A;500V E27;16A E27;3pol;25A;500V
-1F3 +E1S	prot.motor switch 1.000 L0057719 accessory/special 1.000 L0057723	KLOECKNER-MOELLER PKZM1-10 KLOECKNER-MOELLER NHI11-PKZM1	6-10A;690V UE:500V,AMAX.6,1S10,AQ:2.5
-1F4 +E1S	prot.motor switch 1.000 L0057711 accessory/special 1.000 L0057723	KLOECKNER-MOELLER PKZM1-0,24 KLOECKNER-MOELLER NHI11-PKZM1	0.16-0.24A;690V UE:500V,AMAX.6,1S10,AQ:2.5
-1L1 +E1S	mains choke 1.000 L0052851	BAUMUELLER DR3-40-4-0035	400V50/60Hz;3ph;28.7A;1mH
✓ -1M1 +A	gear motor DC 1.000 L0051521	BAUMUELLER SK20-V-F-GNSF112S2	Pn:2.5kW;n.ab:385min-1;Ua:440V ;Ia:6.5A;Ue:200V;Ie:0.5A;i:6.3
* -1N1 +E1S	speed controller 1.000 L0052961	BAUMUELLER BKD6/030/460-2361	3ph;Un:500Vf:50-60Hz;Ua:0-600V DC;Ia:30A;Pn:18kW
-2F1 +E1S	filter 1.000 L0052874	MURRELEKTRONIK VG-BC6/24	1ph;24VAC24VDC
-2F2 +E1S	filter 1.000 L0052874	MURRELEKTRONIK VG-BC6/24	1ph;24VAC24VDC
-2K1 +E1S	contactor/relay 1.000 L0052022	ABB BC7-30-01	Ub:19-26V;DC;Phal:3.5VA;S-el:3 H10;Us:500V;Ps:440V/5.5KW
-2K2 +E3S	contactor/relay 1.000 L0052532 accessory/special 1.000 L0720852	SCHRACK MT221024-25651111 KARL LUMBERG 108 PGS	Ub:20-34V;DC;Phal:1.2VA;S-el:2 W;Us:250V;Ps:250V/10A 8POL.,38*67*26MM
-2K3 +E1S	contactor/relay 1.000 L0052022	ABB BC7-30-01	Ub:19-26V;DC;Phal:3.5VA;S-el:3 H10;Us:500V;Ps:440V/5.5KW
-2N1 +E1S	monitoring device 1.000 L0052576	PILZ PIU-1NB/230VWS/2U-P-	0.5-5VDC;195-253V;AC
-2R1 +E1S	resistor 1.000 L0058221	ROSENTHAL LCA0309	100KOhm5%;0.25W
-5F1 +E1S	prot.motor switch 1.000 L0057715 accessory/special 1.000 L0057723	KLOECKNER-MOELLER PKZM1-1,6 KLOECKNER-MOELLER NHI11-PKZM1	1-1.6A;690V UE:500V,AMAX.6,1S10,AQ:2.5
-5F2 +E1S	1.000 L0752874		
-5K1 +E1S	contactor/relay 1.000 L0052022	ABB BC7-30-01	Ub:19-26V;DC;Phal:3.5VA;S-el:3 H10;Us:500V;Ps:440V/5.5KW
* -5M1 +A	pump unit 1.000 L0053311	VOGEL 143012153/WAC71N4	400V;50/60Hz;1.1A;0.37kW;150l/h
-10F1 +E1S	prot.motor switch 1.000 L0057713	KLOECKNER-MOELLER PKZM1-0,6	0.4-0.6A;690V

filter: (not ("I"\$GERAET) and (SYMBOLTYP&lt;&gt;"7") and (SYMBOLTYP&lt; (C) De La Rue Giori S.A.

format: GLGBNH

desig: A233HANS

dated: 16.7.1997

page: 1

next page: 2

EQUIPMENT LIST machine number: 621007un high item designation: =A

item inst.place	designation quantity	part.no.	manufacturer type/order no.	technical data
	accessory/special	1.000 L0057723	KLOECKNER-MOELLER NHI11-PKZML	UE:500V, AMAX.6, 1S10, AQ:2.5
-10F2 +E1S	filter	1.000 L0052874	MURRELEKTRONIK VG-BC6/24	1ph;24VAC24VDC
-10F3 +E1S	filter	1.000 L0052874	MURRELEKTRONIK VG-BC6/24	1ph;24VAC24VDC
-10K1 +E1S	contactor/relay	1.000 L0052021	ABB BC7-30-10	Ub:19-26V;DC;Phal:3.5VA;S-el:3
	accessory/special	1.000 L0052025	ABB CAF 6-11M	H1S;Us:500V;Ps:440V/5.5KW 230VAC 4A 1S10
-10K2 +E1S	contactor/relay	1.000 L0052021	ABB BC7-30-10	Ub:19-26V;DC;Phal:3.5VA;S-el:3
	accessory/special	1.000 L0052025	ABB CAF 6-11M	H1S;Us:500V;Ps:440V/5.5KW 230VAC 4A 1S10
-10K3 +E3S	contactor/relay	1.000 L0052532	SCHRACK MT221024-25651111	Ub:20-34V;DC;Phal:1.2VA;S-el:2
	accessory/special	1.000 L0720852	KARL LUMBERG 108 PGS	W;Us:250V;Ps:250V/10A 8POL., 38*67*26MM
-10K4 +E3S	contactor/relay	1.000 L0052532	SCHRACK MT221024-25651111	Ub:20-34V;DC;Phal:1.2VA;S-el:2
	accessory/special	1.000 L0720852	KARL LUMBERG 108 PGS	W;Us:250V;Ps:250V/10A 8POL., 38*67*26MM
-10M1 +A	gear motor AC	1.000 L0051404	GETRIEBEBAU NORD SK400SU-63L/4BRE4	3ph;415V+/-10%50/60HZ, 180W, BRA KE230V;34Nm;50:1
-12F1 +E2S	fuse holder	1.000 L0754156	RITTAL SV3427	E27;3pol;25A;500V
	screwed cap	3.000 L0754600	FEGA GMBH DIN49514-DII-500	E27;25A;500V
	fuse insert	3.000 L0754720	-	E27;6A
	accessory/special	1.000 L0754157	RITTAL SV3428	E27, 3POL, 42*230MM, F. SV3427
	fuse cartridge	3.000 L0755420	MAINLAND GMBH DIN49515-DIIGL* 6*	DII;T6A;500V
-12P1 +A		1.000 L6641550		
-12S1 +A	limit/posit.switch	1.000 L0752804	HONEYWELL BZ-2RW 855-A2	380VAC;15A
	accessory/special	1.000 L0752807	HONEYWELL 5PA-PG9-1	PG9, 53.5*24.5*21MM
-12S2 +A	limit/posit.switch	1.000 L0752804	HONEYWELL BZ-2RW 855-A2	380VAC;15A
	accessory/special	1.000 L0752807	HONEYWELL 5PA-PG9-1	PG9, 53.5*24.5*21MM
-13F1 +E2S	fuse holder	1.000 L0754156	RITTAL SV3427	E27;3pol;25A;500V
	screwed cap	3.000 L0754600	FEGA GMBH DIN49514-DII-500	E27;25A;500V
	fuse insert	3.000 L0754720	-	E27;6A
	accessory/special	1.000 L0754157	RITTAL SV3428	E27, 3POL, 42*230MM, F. SV3427
	fuse cartridge	3.000 L0755420	MAINLAND GMBH DIN49515-DIIGL* 6*	DII;T6A;500V
-13P1 +A		1.000 L6641550		
-15B1 +A	proximity switch	1.000 L0752895	IFM ELECTRONIC IS-3002-BPOG+AS-510T	0-2mm;10-36V;DC;PNP;0.8kHz
-15B2	proximity switch		BALLUFF	0-3.2mm;10-30V;DC;PNP;0.4kHz

EQUIPMENT LIST		machine number: 621007un		high item designation: -A
item	designation	manufacturer	technical data	
inst.place	quantity part.no.	type/order no.		
+A	1.000 L0752959	BES516-3019-S4C		
-15B3	proximity switch	BALLUFF	0-3.2mm;10-30V;DC;PNP;0.4kHz	
+A	1.000 L0752959	BES516-3019-S4C		
-25E1	accessory/special	PFANNENBERG	24VDC, 0.15A, 3.6W, IP54, 1HZ; 66mm	
+A	1.000 L0752231	DWBS ROT	*235mm*50mm	
-25V1	solid state relay	BDT	Ub:24Vf:DCHz;Us:24VIs:4A	
+E3S	1.000 L0056085	84-270		
-30V1	solid state relay	BDT	Ub:24Vf:DCHz;Us:24VIs:4A	
+E3S	1.000 L0056085	84-270		
-30V2	solid state relay	BDT	Ub:24Vf:DCHz;Us:24VIs:4A	
+E3S	1.000 L0056085	84-270		
-30V3	solid state relay	BDT	Ub:24Vf:DCHz;Us:24VIs:4A	
+E3S	1.000 L0056085	84-270		
*-30Y1	clutch	LENZE	24VDC;0.48A;50W;100Nm;350min-1	
+A	1.000 L0059550	14.105.16.1.3-009		
-30Y2	solenoid valve	VOGEL	24VDC;100%	
+A	1.000 L0778506	202750-7		
-30Y3				
+A	1.000 L6698631			
*-45B1	shaft encoder	HENGSTLER	360S/U;GRAY-EX-Code;10-30V;DC;	
+A	1.000 L0053773	RA58-S/0360EK.32KDPG	NPN	
-45D1	cpu/memory/funct.u	BDT	PROC.T300;64 CHANNELS, FOR L00	
+E4SD	1.000 L0056076	35TP90	56178	
-45P1	digital display	BDT	Dis:LCD;Ub:24V;Awert:9999;In:B	
+E4SD	1.000 L0056075	84-240	CD-CODE	
-50A1				
+DT2	1.000 L0066220			
-50A1-H11	signal lamp/holder	ELAN	250V;UC;BA9S	
+DT2	1.000 L0751784	EL 0280190		
	signal lamp/holder	ELAN	24V;UC;2W;BA9S	
	1.000 L0751778	EMLH GRUEN		
	bulb/led	BARTHELME	BA9S;30V;2W	
	1.000 L0752327	KRI/23		
-50A1-H14	signal lamp/holder	ELAN	24V;UC;2W;BA9S	
+DT2	1.000 L0751775	EMLH WEISS		
	signal lamp/holder	ELAN	250V;UC;BA9S	
	1.000 L0751784	EL 0280190		
	bulb/led	BARTHELME	BA9S;30V;2W	
	1.000 L0752327	KRI/23		
-50A1-H15	signal lamp/holder	ELAN	24V;DC;2W;BA9S	
+DT2	1.000 L0751776	EMLH GELB		
	signal lamp/holder	ELAN	250V;UC;BA9S	
	1.000 L0751784	EL 0280190		
	bulb/led	BARTHELME	BA9S;30V;2W	
	1.000 L0752327	KRI/23		
-50A1-H16	signal lamp/holder	ELAN	24V;UC;2W;BA9S	
+DT2	1.000 L0751777	EMLH ROT		
	signal lamp/holder	ELAN	250V;UC;BA9S	
	1.000 L0751784	EL 0280190		
	bulb/led	BARTHELME	BA9S;30V;2W	
	1.000 L0752327	KRI/23		
-50A1-H18	horn	SPOERLE	5-50VUC;0.5W;87dB	
+DT2	1.000 L0054455	B/CP 50		
-50A1-H100	bulb/led	MURRELEKTRONIK	24V;UC;0.3 (0.24)W	
+DT2	1.000 L0752219	LED		

filter: (not ("I"\$GERAET)and(SYMBOLTYP<>"7")and(SYMBOLTYP< (C) De La Rue Giori S.A.

format: GLGBNH

desig: A233HANS

dated: 16.7.1997

page: 3

next page: 4

EQUIPMENT LIST machine number: 621007un high item designation: =A

item inst.place	designation quantity part.no.	manufacturer type/order no.	technical data
-50A1-H101 +DT2	bulb/led 1.000 L0752219	MURRELEKTRONIK LED	24V;UC;0.3 (0.24)W
-50A1-H102 +DT2	bulb/led 1.000 L0752219	MURRELEKTRONIK LED	24V;UC;0.3 (0.24)W
-50A1-H103 +DT2	bulb/led 1.000 L0752219	MURRELEKTRONIK LED	24V;UC;0.3 (0.24)W
-50A1-H104 +DT2	bulb/led 1.000 L0752219	MURRELEKTRONIK LED	24V;UC;0.3 (0.24)W
-50A1-H105 +DT2	bulb/led 1.000 L0752219	MURRELEKTRONIK LED	24V;UC;0.3 (0.24)W
-50A1-H106 +DT2	bulb/led 1.000 L0752219	MURRELEKTRONIK LED	24V;UC;0.3 (0.24)W
-50A1-H107 +DT2	bulb/led 1.000 L0752219	MURRELEKTRONIK LED	24V;UC;0.3 (0.24)W
-50A1-H108 +DT2	bulb/led 1.000 L0752219	MURRELEKTRONIK LED	24V;UC;0.3 (0.24)W
-50A1-H109 +DT2	bulb/led 1.000 L0752219	MURRELEKTRONIK LED	24V;UC;0.3 (0.24)W
-50A1-H110 +DT2	bulb/led 1.000 L0752219	MURRELEKTRONIK LED	24V;UC;0.3 (0.24)W
-50A1-H111 +DT2	bulb/led 1.000 L0752219	MURRELEKTRONIK LED	24V;UC;0.3 (0.24)W
-50A1-H112 +DT2	bulb/led 1.000 L0752219	MURRELEKTRONIK LED	24V;UC;0.3 (0.24)W
-50A1-H113 +DT2	bulb/led 1.000 L0752219	MURRELEKTRONIK LED	24V;UC;0.3 (0.24)W
-50A1-H114 +DT2	bulb/led 1.000 L0752219	MURRELEKTRONIK LED	24V;UC;0.3 (0.24)W
-50A1-H115 +DT2	bulb/led 1.000 L0752219	MURRELEKTRONIK LED	24V;UC;0.3 (0.24)W
-50A1-H116 +DT2	bulb/led 1.000 L0752219	MURRELEKTRONIK LED	24V;UC;0.3 (0.24)W
-50A1-H117 +DT2	bulb/led 1.000 L0752219	MURRELEKTRONIK LED	24V;UC;0.3 (0.24)W
-50A1-H118 +DT2	bulb/led 1.000 L0752219	MURRELEKTRONIK LED	24V;UC;0.3 (0.24)W
-50A1-H119 +DT2	bulb/led 1.000 L0752219	MURRELEKTRONIK LED	24V;UC;0.3 (0.24)W
-50A1-H120 +DT2	bulb/led 1.000 L0752219	MURRELEKTRONIK LED	24V;UC;0.3 (0.24)W
-50A1-H121 +DT2	bulb/led 1.000 L0752219	MURRELEKTRONIK LED	24V;UC;0.3 (0.24)W
-50A1-H122 +DT2	bulb/led 1.000 L0752219	MURRELEKTRONIK LED	24V;UC;0.3 (0.24)W
-50A1-S12 +DT2	switch/knob button 1.000 L0751727	ELAN EDL WS KB	22.5
	signal lamp/holder 1.000 L0751784	ELAN EL 0280190	250V;UC;BA9S
	contact element 1.000 L0751781	ELAN EF103.1	22.5;230VAC;10A
	bulb/led 1.000 L0752327	BARTHELME KRI/23	BA9S;30V;2W

filter: (not ("I"\$GERAET) and (SYMBOLTYP<>"7") and (SYMBOLTYP< (C) De La Rue Giori S.A.

## EQUIPMENT LIST

machine number: 621007un high item designation: =A

item inst.place	designation quantity part.no.	manufacturer type/order no.	technical data
	shield 1.000 L0841274	ELAN E-KB-9.0	d:18.9mm
-50A1-S13 +DT2	switch/knob button 1.000 L0751805	ELAN EDT KB	22.5
	contact element 1.000 L0751781	ELAN EF103.1	22.5;230VAC;10A
	shield 1.000 L0840999	ELAN E-KB-9.1	d:18.9mm
-50A1-S17 +DT2	switch/knob button 1.000 L0751727	ELAN EDL WS KB	22.5
	signal lamp/holder 1.000 L0751784	ELAN EL 0280190	250V;UC;BA9S
	contact element 1.000 L0751781	ELAN EF103.1	22.5;230VAC;10A
	bulb/led 1.000 L0752327	BARTHELME KRI/23	BA9S;30V;2W
	shield 1.000 L0841274	ELAN E-KB-9.0	d:18.9mm
-50A1-S29 +DT2	switch/knob button 1.000 L0751719	ELAN EDRR40RT+EFR	22.5
	contact element 1.000 L0751742	ELAN EF220.1	22.5;400VAC;4A
	shield 1.000 L0751767	ELAN MDP-8	d:22.5mm
-50A1-S31 +DT2	switch/knob button 1.000 L0751727	ELAN EDL WS KB	22.5
	signal lamp/holder 1.000 L0751784	ELAN EL 0280190	250V;UC;BA9S
	contact element 1.000 L0751781	ELAN EF103.1	22.5;230VAC;10A
	bulb/led 1.000 L0752338	BARTHELME KRL/23	BA9S;30V;2W
	shield 1.000 L0841070	ELAN E-KB-9.0	d:18.9mm
-50A1-S32 +DT2	switch/knob button 1.000 L0751805	ELAN EDT KB	22.5
	contact element 1.000 L0751781	ELAN EF103.1	22.5;230VAC;10A
	shield 1.000 L0840999	ELAN E-KB-9.1	d:18.9mm
-50A1-S33 +DT2	switch/knob button 1.000 L0751805	ELAN EDT KB	22.5
	contact element 1.000 L0751781	ELAN EF103.1	22.5;230VAC;10A
	shield 1.000 L0840999	ELAN E-KB-9.1	d:18.9mm
-50A1-S34 +DT2	switch/knob button 1.000 L0751805	ELAN EDT KB	22.5
	contact element 1.000 L0751781	ELAN EF103.1	22.5;230VAC;10A
	shield 1.000 L0840999	ELAN E-KB-9.1	d:18.9mm
-50A1-S35 +DT2	switch/knob button 1.000 L0751805	ELAN EDT KB	22.5
	contact element 1.000 L0751781	ELAN EF103.1	22.5;230VAC;10A
	shield 1.000 L0841000	ELAN E-KB-9.1	d:18.9mm
-50A1-S36 +DT2	switch/knob button 1.000 L0751779	ELAN EDR35ROTKB	22.5
	contact element 1.000 L0751738	ELAN EF110.1	22.5;400VAC;6A
-50A1-S37 +DT2	switch/knob button 1.000 L0751805	ELAN EDT KB	22.5

filter: (not ("I"\$GERAET) and (SYMBOLTYP&lt;&gt;"7") and (SYMBOLTYP&lt; (C) De La Rue Giori S.A.

format: GLGBNH

desig: A233HANS

dated: 16.7.1997

page: 5

next page: 6



## EQUIPMENT LIST

machine number: 621007un high item designation: =A

item inst.place	designation quantity part.no.	manufacturer type/order no.	technical data
	contact element 1.000 L0751781	ELAN EF103.1	22.5;230VAC;10A
	shield 1.000 L0840999	ELAN E-KB-9.1	d:18.9mm
-50A1-S38 +DT2	switch/knob button 1.000 L0751824	ELAN EDS14-0270630	22.5
	contact element 1.000 L0751781	ELAN EF103.1	22.5;230VAC;10A
-54P1 +A	digital display 1.000 L0053566	CONTRAVES ZAG15-100PD	Dis:LED;Ub:22-30V;Awert:99999; In:BCD-CODE,HIGH>=11VDC
-60A1 +DT2A	1.000 L0066221		
-60A1-S11 +DT2A	switch/knob button 1.000 L0751805	ELAN EDT KB	22.5
	contact element 1.000 L0751781	ELAN EF103.1	22.5;230VAC;10A
	shield 1.000 L0840999	ELAN E-KB-9.1	d:18.9mm
-60A2 +DT2B	1.000 L0066222		
-60A2-S11 +DT2B	switch/knob button 1.000 L0751805	ELAN EDT KB	22.5
	contact element 1.000 L0751781	ELAN EF103.1	22.5;230VAC;10A
	shield 1.000 L0840999	ELAN E-KB-9.1	d:18.9mm
-65A1 +DT2C	1.000 L0066223		
-65A1-H1 +DT2C	signal lamp/holder 1.000 L0751775	ELAN EMLH WEISS	24V;UC;2W;BA9S
	signal lamp/holder 1.000 L0751784	ELAN EL 0280190	250V;UC;BA9S
	bulb/led 1.000 L0752327	BARTHELME KRI/23	BA9S;30V;2W
-65A1-H2 +DT2C	signal lamp/holder 1.000 L0751775	ELAN EMLH WEISS	24V;UC;2W;BA9S
	signal lamp/holder 1.000 L0751784	ELAN EL 0280190	250V;UC;BA9S
	bulb/led 1.000 L0752327	BARTHELME KRI/23	BA9S;30V;2W

filter: (not ("I"\$GERAET) and (SYMBOLTYP<>"7") and (SYMBOLTYP< (C) De La Rue Giori S.A.

format: GLGBNH

desig: A233HANS

dated: 16.7.1997

page: 6

next page: 7

EQUIPMENT LIST machine number: 621007un high item designation: =B

item inst.place	designation quantity part.no.	manufacturer type/order no.	technical data
* -1B1 +B	rotating pulse gen 1.000 L0053548	HEIDENHAIN ROD 426B-00131000RV1	1000Imp/U; 5V; DC; TTL; 6mm
	plug/socket 1.000 L0756370	HEIDENHAIN / ABB 29169705 / 505560	12pol.; 30V; 0.5A; 0.5mm <sup>2</sup> ; SCHRAUB M?
	accessory/special 1.000 L0053533	BALLUFF BDG-630-03	D1=12 D2=3.5 L=5.5
-1L1 +E2S	smoothing choke 1.000 L0052882	ABB GD 805	1ph; 100V; 8A; 100mH
* -1M1 +B	motor DC 1.000 L0051710	ABB F9M4R+F9T	Pn: 0.07kW; nmax: 4000min-1; Ua: 22 V; Ia: 6.4A; Mab: 1.15Nm
	accessory/special 1.000 L0053549	ABB WAC 25-10-6 - 500933	D1=6 D2=10 L=30
	accessory/special 1.000 L0053551	ABB FPG 401 - 505757	D=110MM, L=64MM, PG9
* -1N1 +E2S	speed controller 1.000 L0052973	ABB 05SM8123-95	Un: 95 (40-95)Vf: DCHz; Ua: -70/+7 0VDC; Ia: 12A; Pn: 2.1kW
-5B1 +B	proximity switch 1.000 L0752957	BALLUFF BES516-356-S4C	0-3.2mm; 10-30V; DC; PNP; 0.4kHz
-5B2 +B	proximity switch 1.000 L0752896	IFM ELECTRONIC IS-3002-APOG+AS-510T	0-2mm; 10-36V; DC; PNP; 0.8kHz
-5B3 +B	proximity switch 1.000 L0752959	BALLUFF BES516-3019-S4C	0-3.2mm; 10-30V; DC; PNP; 0.4kHz
-5B4 +B	proximity switch 1.000 L0752957	BALLUFF BES516-356-S4C	0-3.2mm; 10-30V; DC; PNP; 0.4kHz
-5B5 +B	proximity switch 1.000 L0752959	BALLUFF BES516-3019-S4C	0-3.2mm; 10-30V; DC; PNP; 0.4kHz
-5X1 +B	adapter/plug eleme 1.000 L0851090	MURRELEKTRONIK MVSS-AS-276208	Un: 24V; In: 2 (50VA) A; Ans: 8+1
	plug/socket 8.000 L0752977	MURRELEKTRONIK 27625	5pol.; 250V; 3A; 0.75mm <sup>2</sup>
-10B1 +B	proximity switch 1.000 L0752895	IFM ELECTRONIC IS-3002-BPOG+AS-510T	0-2mm; 10-36V; DC; PNP; 0.8kHz
-10B2 +B	proximity switch 1.000 L0752895	IFM ELECTRONIC IS-3002-BPOG+AS-510T	0-2mm; 10-36V; DC; PNP; 0.8kHz
-10B3 +B	1.000 L-imLVS		
-10X1 +B	adapter/plug eleme 1.000 L0851090	MURRELEKTRONIK MVSS-AS-276208	Un: 24V; In: 2 (50VA) A; Ans: 8+1
	plug/socket 8.000 L0752978	MURRELEKTRONIK 27635	5pol.; 250V; 3A; 0.75mm <sup>2</sup> ; M12
-20S1 +B	limit/posit.switch 1.000 L0752641	SCHMERSAL AZ15ZVRK	230VAC; 4A
	accessory/special 1.000 L0752642	SCHMERSAL B1	56*28*16MM
-20S2 +B	limit/posit.switch 1.000 L0752641	SCHMERSAL AZ15ZVRK	230VAC; 4A
	accessory/special 1.000 L0752642	SCHMERSAL B1	56*28*16MM
-20S3 +B	limit/posit.switch 1.000 L0752641	SCHMERSAL AZ15ZVRK	230VAC; 4A
	accessory/special 1.000 L0752642	SCHMERSAL B1	56*28*16MM
-30B1 +B	photosensor 1.000 L0053460	DATALOGIC S5-5-A2-30 G5210230	0- 2000; 10-30VERPOLUNGSSICHERV DC; PNP/NPN; 0.2kHz
-30B2 +B	photosensor 1.000 L0053460	DATALOGIC S5-5-A2-30 G5210230	0- 2000; 10-30VERPOLUNGSSICHERV DC; PNP/NPN; 0.2kHz

filter: (not ("I"\$GERAET) and (SYMBOLTYP<>"7") and (SYMBOLTYP< (C) De La Rue Giori S.A.

format: GLGBNH

desig: A233HANS

dated: 16.7.1997

page: 7

next page: 8

EQUIPMENT LIST machine number: 621007un high item designation: =B

item inst.place	designation quantity	part.no.	manufacturer type/order no.	technical data
-30B3 +B	photosensor 1.000	L0053394	WENGLOR SENSORIC LW86PCV3	0- 3500;10-30VDC;PNP;0.6kHz
-30X1 +B	adapter/plug eleme 1.000 plug/socket 8.000	L0851090 L0752978	MURRELEKTRONIK MVSS-AS-276208 MURRELEKTRONIK 27635	Un:24V;In:2 (50VA)A;Ans:8+1 5pol.;250V;3A;0.75mm2;M12
-40K1 +E3S	contactor/relay 1.000 accessory/special 1.000	L0052532 L0720852	SCHRACK MT221024-25651111 KARL LUMBERG 108 PGS	Ub:20-34V;DC;Phal:1.2VA;S-el:2 W;Us:250V;Ps:250V/10A 8POL.,38*67*26MM
-40V1 +E3S	solid state relay 1.000	L0056085	BDT 84-270	Ub:24Vf:DCHz;Us:24VIs:4A
-40V2 +E3S	solid state relay 1.000	L0056085	BDT 84-270	Ub:24Vf:DCHz;Us:24VIs:4A
-40V3 +E3S	solid state relay 1.000	L0056085	BDT 84-270	Ub:24Vf:DCHz;Us:24VIs:4A
-40V4 +E3S	solid state relay 1.000	L0056085	BDT 84-270	Ub:24Vf:DCHz;Us:24VIs:4A
-40X1 +B	adapter/plug eleme 1.000 plug/socket 8.000	L0851090 L0752978	MURRELEKTRONIK MVSS-AS-276208 MURRELEKTRONIK 27635	Un:24V;In:2 (50VA)A;Ans:8+1 5pol.;250V;3A;0.75mm2;M12
-40Y1 +B		1.000	L6698631	
-40Y2 +B		1.000	L6698631	
-40Y3 +B		1.000	L6698631	
-40Y4 +B		1.000	L6698631	
-50K1 +E3S	contactor/relay 1.000 accessory/special 1.000	L0052532 L0720852	SCHRACK MT221024-25651111 KARL LUMBERG 108 PGS	Ub:20-34V;DC;Phal:1.2VA;S-el:2 W;Us:250V;Ps:250V/10A 8POL.,38*67*26MM
-50V1 +E3S	solid state relay 1.000	L0056085	BDT 84-270	Ub:24Vf:DCHz;Us:24VIs:4A
-50V2 +E3S	solid state relay 1.000	L0056085	BDT 84-270	Ub:24Vf:DCHz;Us:24VIs:4A
-50V3 +E3S	solid state relay 1.000	L0056085	BDT 84-270	Ub:24Vf:DCHz;Us:24VIs:4A
-50Y1 +B		1.000	L6698631	
-50Y2 +B		1.000	L6698631	
-50Y4 +B	solenoid valve 1.000 solenoid valve 1.000	L2670582 L2670753	FESTO MSFG-24-4527 FESTO MFH-5-1/8 9982	24VUC,4.5W,ED:100%,IP65 100%
-60Y1 +B	solenoid valve 1.000 solenoid valve 1.000	L2670582 L2670753	FESTO MSFG-24-4527 FESTO MFH-5-1/8 9982	24VUC,4.5W,ED:100%,IP65 100%
-60Y2 +B	solenoid valve 1.000	L2670582	FESTO MSFG-24-4527	24VUC,4.5W,ED:100%,IP65

EQUIPMENT LIST machine number: 621007un high item designation: =B

item inst.place	designation quantity part.no.	manufacturer type/order no.	technical data
	solenoid valve 1.000 L2670753	FESTO MFH-5-1/8 9982	100%
-70A1 +DT3	1.000 L0066224		
-70A1-H13 +DT3	signal lamp/holder 1.000 L0751777	ELAN EMLH ROT	24V;UC;2W;BA9S
	signal lamp/holder 1.000 L0751784	ELAN EL 0280190	250V;UC;BA9S
	bulb/led 1.000 L0752327	BARTHELME KRI/23	BA9S;30V;2W
-70A1-S11 +DT3	switch/knob button 1.000 L0751719	ELAN EDRR40RT+EFR	22.5
	shield 1.000 L0751767	ELAN MDP-8	d:22.5mm
	contact element 1.000 L0751742	ELAN EF220.1	22.5;400VAC;4A
-70A1-S12 +DT3	contact element 1.000 L0751738	ELAN EF110.1	22.5;400VAC;6A
	switch/knob button 1.000 L0751779	ELAN EDR35ROTKB	22.5
-80A1 +DT4	1.000 L0066225		
-80A1-H26 +DT4	signal lamp/holder 1.000 L0751777	ELAN EMLH ROT	24V;UC;2W;BA9S
	signal lamp/holder 1.000 L0751784	ELAN EL 0280190	250V;UC;BA9S
	bulb/led 1.000 L0752327	BARTHELME KRI/23	BA9S;30V;2W
-80A1-H33 +DT4	signal lamp/holder 1.000 L0751778	ELAN EMLH GRUEN	24V;UC;2W;BA9S
	signal lamp/holder 1.000 L0751784	ELAN EL 0280190	250V;UC;BA9S
	bulb/led 1.000 L0752327	BARTHELME KRI/23	BA9S;30V;2W
-80A1-S11 +DT4	switch/knob button 1.000 L0751719	ELAN EDRR40RT+EFR	22.5
	shield 1.000 L0751767	ELAN MDP-8	d:22.5mm
	contact element 1.000 L0751742	ELAN EF220.1	22.5;400VAC;4A
-80A1-S12 +DT4	switch/knob button 1.000 L0751727	ELAN EDL WS KB	22.5
	signal lamp/holder 1.000 L0751784	ELAN EL 0280190	250V;UC;BA9S
	contact element 1.000 L0751781	ELAN EF103.1	22.5;230VAC;10A
	bulb/led 1.000 L0752327	BARTHELME KRI/23	BA9S;30V;2W
	shield 1.000 L0841274	ELAN E-KB-9.0	d:18.9mm
-80A1-S13 +DT4	switch/knob button 1.000 L0751727	ELAN EDL WS KB	22.5
	signal lamp/holder 1.000 L0751784	ELAN EL 0280190	250V;UC;BA9S
	contact element 1.000 L0751781	ELAN EF103.1	22.5;230VAC;10A
	bulb/led 1.000 L0752327	BARTHELME KRI/23	BA9S;30V;2W
	shield 1.000 L0841274	ELAN E-KB-9.0	d:18.9mm
-80A1-S14 +DT4	switch/knob button 1.000 L0751727	ELAN EDL WS KB	22.5
	signal lamp/holder 1.000 L0751784	ELAN EL 0280190	250V;UC;BA9S

filter: (not ("I"\$GERAET)and(SYMBOLTYP<>"7")and(SYMBOLTYP< (C) De La Rue Giori S.A.

format: GLGBNH

desig: A233HANS

dated: 16.7.1997

page: 9

next page:10

EQUIPMENT LIST machine number: 621007un high item designation: =B

item designation manufacturer technical data  
 inst.place quantity part.no. type/order no.

	1.000 L0751784	EL 0280190	
	contact element	ELAN	22.5;230VAC;10A
	1.000 L0751781	EF103.1	
	bulb/led	BARTHELME	BA9S;30V;2W
	1.000 L0752327	KRI/23	
	shield	ELAN	d:18.9mm
	1.000 L0841274	E-KB-9.0	
-80A1-S15 +DT4	switch/knob button	ELAN	22.5
	1.000 L0751727	EDL WS KB	
	signal lamp/holder	ELAN	250V;UC;BA9S
	1.000 L0751784	EL 0280190	
	contact element	ELAN	22.5;230VAC;10A
	1.000 L0751781	EF103.1	
	bulb/led	BARTHELME	BA9S;30V;2W
	1.000 L0752327	KRI/23	
	shield	ELAN	d:18.9mm
	1.000 L0841274	E-KB-9.0	
-80A1-S16 +DT4	switch/knob button	ELAN	22.5
	1.000 L0751727	EDL WS KB	
	signal lamp/holder	ELAN	250V;UC;BA9S
	1.000 L0751784	EL 0280190	
	contact element	ELAN	22.5;230VAC;10A
	1.000 L0751781	EF103.1	
	bulb/led	BARTHELME	BA9S;30V;2W
	1.000 L0752327	KRI/23	
	shield	ELAN	d:18.9mm
	1.000 L0841274	E-KB-9.0	
-80A1-S17 +DT4	switch/knob button	ELAN	22.5
	1.000 L0751727	EDL WS KB	
	signal lamp/holder	ELAN	250V;UC;BA9S
	1.000 L0751784	EL 0280190	
	contact element	ELAN	22.5;230VAC;10A
	1.000 L0751781	EF103.1	
	bulb/led	BARTHELME	BA9S;30V;2W
	1.000 L0752327	KRI/23	
	shield	ELAN	d:18.9mm
	1.000 L0841274	E-KB-9.0	
-80A1-S21 +DT4	switch/knob button	ELAN	22.5
	1.000 L0751805	EDT KB	
	contact element	ELAN	22.5;230VAC;10A
	1.000 L0751781	EF103.1	
	shield	ELAN	d:18.9mm
	1.000 L0840999	E-KB-9.1	
-80A1-S22 +DT4	switch/knob button	ELAN	22.5
	1.000 L0751727	EDL WS KB	
	signal lamp/holder	ELAN	250V;UC;BA9S
	1.000 L0751784	EL 0280190	
	contact element	ELAN	22.5;230VAC;10A
	1.000 L0751781	EF103.1	
	bulb/led	BARTHELME	BA9S;30V;2W
	1.000 L0752327	KRI/23	
	shield	ELAN	d:18.9mm
	1.000 L0841274	E-KB-9.0	
-80A1-S23 +DT4	switch/knob button	ELAN	22.5
	1.000 L0751727	EDL WS KB	
	signal lamp/holder	ELAN	250V;UC;BA9S
	1.000 L0751784	EL 0280190	
	contact element	ELAN	22.5;230VAC;10A
	1.000 L0751781	EF103.1	
	bulb/led	BARTHELME	BA9S;30V;2W
	1.000 L0752327	KRI/23	
	shield	ELAN	d:18.9mm
	1.000 L0841274	E-KB-9.0	
-80A1-S24 +DT4	switch/knob button	ELAN	22.5
	1.000 L0751727	EDL WS KB	
	signal lamp/holder	ELAN	250V;UC;BA9S
	1.000 L0751784	EL 0280190	

filter: (not ("I"\$GERAET) and (SYMBOLTYP<>"7") and (SYMBOLTYP< (C) De La Rue Giori S.A.

format: GLGBNH

desig: A233HANS

dated: 16.7.1997

page:10

next page:11

EQUIPMENT LIST machine number: 621007un high item designation: =B

item inst.place	designation quantity part.no.	manufacturer type/order no.	technical data
	contact element 1.000 L0751781	ELAN EF103.1	22.5;230VAC;10A
	bulb/led 1.000 L0752327	BARTHELME KRI/23	BA9S;30V;2W
	shield 1.000 L0841274	ELAN E-KB-9.0	d:18.9mm
-80A1-S27 +DT4	switch/knob button 1.000 L0751805	ELAN EDT KB	22.5
	contact element 1.000 L0751781	ELAN EF103.1	22.5;230VAC;10A
	shield 1.000 L0840999	ELAN E-KB-9.1	d:18.9mm
-80A1-S32 +DT4	switch/knob button 1.000 L0751805	ELAN EDT KB	22.5
	contact element 1.000 L0751781	ELAN EF103.1	22.5;230VAC;10A
	shield 1.000 L0840999	ELAN E-KB-9.1	d:18.9mm
-80A1-S35 +DT4	contact element 1.000 L0751781	ELAN EF103.1	22.5;230VAC;10A
	switch/knob button 1.000 L0751805	ELAN EDT KB	22.5
	shield 1.000 L0840999	ELAN E-KB-9.1	d:18.9mm
-80A1-S36 +DT4	contact element 1.000 L0751738	ELAN EF110.1	22.5;400VAC;6A
	switch/knob button 1.000 L0751779	ELAN EDR35ROTKB	22.5
-80A1-S37 +DT4	switch/knob button 1.000 L0751805	ELAN EDT KB	22.5
	contact element 1.000 L0751781	ELAN EF103.1	22.5;230VAC;10A
	shield 1.000 L0840999	ELAN E-KB-9.1	d:18.9mm
-90N1 +E3S	amplifier 1.000 L0053869	BOESER ODER HBM MVD2555	Ub:207-243VAC;f:50/60Hz;In:0.5 MV...1V;Out:+/- 0-10V
* -90R1 +B	1.000 L6696860	bridge for cutting power measurement	

## EQUIPMENT LIST

machine number: 621007un high item designation: =E

item inst.place	designation quantity part.no.	manufacturer type/order no.	technical data
-1F1 +E1S	prot.motor switch 1.000 L0057730	KLOECKNER-MOELLER PKZ2/ZM-10-8+CL-PKZ2	6-10A;690V
-1F2 +E1S	fuse cartridge 1.000 L0755470	MAINLAND GMBH DIN49515-DIIGL* 25*	DII;T25A;500V
	accessory/special 1.000 L0754157	RITTAL SV3428	E27,3POL,42*230MM,F.SV3427
	screwed cap 3.000 L0754600	FEGA GMBH DIN49514-DII-500	E27;25A;500V
	fuse insert 3.000 L0754770	DITHA GMBH DIN49516-DII*25	E27;25A
	fuse holder 1.000 L0754156	RITTAL SV3427	E27;3pol;25A;500V
-1Q1 +E1S	main switch 1.000 L0750510	KLOECKNER-MOELLER NZM6-100-EA+U	M.ROTEM GRIFF +AUSSENWARNSCHIL D
-1Z1 +E1S	overvoltage protec 1.000 L0052862	PHOENIX FM POWERTRAB	Un:280AC;P:10
-1Z2 +E1S	accessory/special 1.000 L0052863	PHOENIX UAK2-PE/S-230AC-BE	230VAC,18*90*41,>L0052864
	overvoltage protec 1.000 L0052864	PHOENIX UAK2-PE/S-X-230AC-ST	Un:230AC
-1Z3 +E1S	accessory/special 1.000 L0052865	PHOENIX UFB2/2-24DC-BE	24VDC,18*90*41MM,>L0052866
	overvoltage protec 1.000 L0052866	PHOENIX UFBK2/2-24DC-ST	Un:24DC;P:48
-5F1 +E2S	prot.motor switch 1.000 L0057718	KLOECKNER-MOELLER PKZM1-6	4-6A;690V
	accessory/special 1.000 L0057723	KLOECKNER-MOELLER NHI11-PKZM1	UE:500V,AMAX.6,1S10,AQ:2.5
-5S1 +E1S	limit/posit.switch 1.000 L0752605	RITTAL PS4127	230VAC;6A
-5S2 +E2S	limit/posit.switch 1.000 L0752605	RITTAL PS4127	230VAC;6A
-5S3 +E3S	limit/posit.switch 1.000 L0752605	RITTAL PS4127	230VAC;6A
-5S4 +E4S	limit/posit.switch 1.000 L0752605	RITTAL PS4127	230VAC;6A
-5S5 +E5S	limit/posit.switch 1.000 L0752605	RITTAL PS4127	230VAC;6A
-5S6 +E1ST	switch/knob button 1.000 L0751825	ELAN EDS13-0270625	22.5
	contact element 1.000 L0751781	ELAN EF103.1	22.5;230VAC;10A
-5T1 +E2S	transformer 1.000 L0052782	RATHGEBER ET1000	2ph;P:1000VA;Upri:380-460Vf:50 -60Hz;Ipri:2.63-2.17A;Usek:210
-6F1 +E1S	fuse cartridge 3.000 L0755470	MAINLAND GMBH DIN49515-DIIGL* 25*	DII;T25A;500V
	accessory/special 1.000 L0754157	RITTAL SV3428	E27,3POL,42*230MM,F.SV3427
	screwed cap 3.000 L0754600	FEGA GMBH DIN49514-DII-500	E27;25A;500V
	fuse insert 3.000 L0754770	DITHA GMBH DIN49516-DII*25	E27;25A
	fuse holder 1.000 L0754156	RITTAL SV3427	E27;3pol;25A;500V
-6F2 +E1S	fuse cartridge 1.000 L0755440	MAINLAND GMBH DIN49515-DIIGL* 16*	DII;T16A;500V
	screwed cap 3.000 L0754600	FEGA GMBH DIN49514-DII-500	E27;25A;500V
	fuse insert	MAINLAND GMBH	E27;16A

filter: (not ("I"\$GERAET) and (SYMBOLTYP<>"7") and (SYMBOLTYP< (C) De La Rue Giori S.A.

format: GLGBNH

desig: A233HANS

dated: 16.7.1997

page:12

next page:13

EQUIPMENT LIST machine number: 621007un high item designation: =E

item inst.place	designation quantity part.no.	manufacturer type/order no.	technical data
	3.000 L0754740 fuse holder	DIN49516-DII*16 RITTAL	E27;3pol;25A;500V
	1.000 L0754156 accessory/special	SV3427 RITTAL	E27,3POL,42*230MM,F.SV3427
	3.000 L0754157 accessory/special	SV3428	
-6F3 +E1S	3.000 L0755440 fuse cartridge	MAINLAND GMBH DIN49515-DIIGL* 16*	DII;T16A;500V
	screwed cap	FEGA GMBH	E27;25A;500V
	3.000 L0754600 fuse insert	DIN49514-DII-500 MAINLAND GMBH	E27;16A
	3.000 L0754740 fuse holder	DIN49516-DII*16 RITTAL	E27;3pol;25A;500V
	1.000 L0754156 accessory/special	SV3427 RITTAL	E27,3POL,42*230MM,F.SV3427
	1.000 L0754157 accessory/special	SV3428	
-6F4 +E1S	3.000 L0755410 fuse cartridge	MAINLAND GMBH DIN49515-DIIGL* 4*	DII;T4A;500V
	accessory/special	RITTAL	E27,3POL,42*230MM,F.SV3427
	1.000 L0754157 screwed cap	SV3428 FEGA GMBH	E27;25A;500V
	3.000 L0754600 fuse insert	DIN49514-DII-500 -	E27;4A
	3.000 L0754710 fuse holder	DIN49516-DII* 4 RITTAL	E27;3pol;25A;500V
	1.000 L0754156 accessory/special	SV3427	
-6F5 +E1S	1.000 L0755440 fuse cartridge	MAINLAND GMBH DIN49515-DIIGL* 16*	DII;T16A;500V
	screwed cap	FEGA GMBH	E27;25A;500V
	3.000 L0754600 fuse insert	DIN49514-DII-500 MAINLAND GMBH	E27;16A
	3.000 L0754740 fuse holder	DIN49516-DII*16 RITTAL	E27;3pol;25A;500V
	1.000 L0754156 accessory/special	SV3427 RITTAL	E27,3POL,42*230MM,F.SV3427
	3.000 L0754157 accessory/special	SV3428	
-6T1 +E1S	1.000 L0052734 transformer	RATHGEBER DE100	3ph;P:600VA;Upri:415-480Vf:50-60Hz;Ipri:0.72-0.83A;Usek:380-
-7E1 +E1S	1.000 L0758430 lamp	FLUOLITE / MAINLAND TSF115SET	230V;50Hz;15W
-7E2 +E2S	1.000 L0758430 lamp	FLUOLITE / MAINLAND TSF115SET	230V;50Hz;15W
-7E3 +E3S	1.000 L0758430 lamp	FLUOLITE / MAINLAND TSF115SET	230V;50Hz;15W
-7E4 +E4S	1.000 L0758430 lamp	FLUOLITE / MAINLAND TSF115SET	230V;50Hz;15W
-7S1 +E1S	1.000 L0752605 limit/posit.switch	RITTAL PS4127	230VAC;6A
-7S2 +E2S	1.000 L0752605 limit/posit.switch	RITTAL PS4127	230VAC;6A
-7S3 +E3S	1.000 L0752605 limit/posit.switch	RITTAL PS4127	230VAC;6A
-7S4 +E4S	1.000 L0752605 limit/posit.switch	RITTAL PS4127	230VAC;6A
-10F1 +E1S	2.000 L0755410 fuse cartridge	MAINLAND GMBH DIN49515-DIIGL* 4*	DII;T4A;500V
	accessory/special	RITTAL	E27,3POL,42*230MM,F.SV3427
	1.000 L0754157 screwed cap	SV3428 FEGA GMBH	E27;25A;500V
	2.000 L0754600 fuse insert	DIN49514-DII-500 -	E27;4A
	2.000 L0754710 fuse holder	DIN49516-DII* 4	



EQUIPMENT LIST		machine number: 621007un		high item designation: =E
item	designation	manufacturer	technical data	
inst.place	quantity part.no.	type/order no.		
	fuse holder	RITTAL	E27;3pol;25A;500V	
	1.000 L0754156	SV3427		
-10F2	automatic fuse	ABB	1pol;K;6A;440V;60VDC	
+E1S	1.000 L0057862	GHS271-K6		
-10H1	signal lamp/holder	ELAN	24V;UC;2W;BA9S	
+E1ST	1.000 L0751775	EMLH WEISS		
	signal lamp/holder	ELAN	230V;AC;2W;BA9S	
	1.000 L0751785	ELT		
	bulb/led	CUTLER-HAMMER	BA9S;6V;1.5W	
	1.000 L0752322	BA9S		
-10H2	signal lamp/holder	ELAN	24V;UC;2W;BA9S	
+E1ST	1.000 L0751777	EMLH ROT		
	signal lamp/holder	ELAN	250V;UC;BA9S	
	1.000 L0751784	EL 0280190		
	bulb/led	BARTHELME	BA9S;30V;2W	
	1.000 L0752327	KRI/23		
-10H3	signal lamp/holder	ELAN	24V;UC;2W;BA9S	
+E1ST	1.000 L0751778	EMLH GRUEN		
	signal lamp/holder	ELAN	250V;UC;BA9S	
	1.000 L0751784	EL 0280190		
	bulb/led	BARTHELME	BA9S;30V;2W	
	1.000 L0752327	KRI/23		
-10K1	contactor/relay	ABB	Ub:220-240V;AC;f:50/60Hz;Phal:9VA;S-el:4S40;Us:230V;Ps:230V/	
+E1S	1.000 L0052000	K44E		
-10M1	blower/ventilator	RITTAL	1ph;230cbm/h;265cbm/h;230V;50/60Hz	
+E1S	1.000 L0053283	SK3325.100		
-10M2	blower/ventilator	RITTAL	1ph;230cbm/h;265cbm/h;230V;50/60Hz	
+E3S	1.000 L0053283	SK3325.100		
-10M3	blower/ventilator	RITTAL	1ph;230cbm/h;265cbm/h;230V;50/60Hz	
+E5S	1.000 L0053283	SK3325.100		
-10P1	digital display	MUELLER&WEIGERT	f:15-99Hz;In:0-600VUC	
+E1ST	1.000 L0053970	EPR 144S		
-10R1	resistor	DRALORIC	1K20hm5%;1W	
+E3S	1.000 L0058224	LCA0719		
-10S1	main switch	KRAUS & NAIMER		
+E1ST	1.000 L0750301	CH16B-A201-600E-G002		
-10T1	transformer	RATHGEBER	2ph;P:1000VA;Upri:380-460Vf:50-60Hz;Ipri:2.63-2.17A;Usek:210	
+E1S	1.000 L0052782	ET1000		
-15F1	prot.motor switch	KLOECKNER-MOELLER	2.4-4A;660V	
+E1S	1.000 L0057742	PKZ2/ZM-4+NHI11-PKZ2		
-15F2	automatic fuse	ABB	1pol;K;16A;440V;60VDC	
+E1S	1.000 L0057864	GHS271-K16		
	accessory/special	ABB	5VA MIN BEI 24V / 1S10	
	1.000 L0057860	S2-H11		
-15F3	automatic fuse	ABB	1pol;K;16A;440V;60VDC	
+E1S	1.000 L0057864	GHS271-K16		
	accessory/special	ABB	5VA MIN BEI 24V / 1S10	
	1.000 L0057860	S2-H11		
-15F4	automatic fuse	ABB	1pol;K;16A;440V;60VDC	
+E1S	1.000 L0057864	GHS271-K16		
	accessory/special	ABB	5VA MIN BEI 24V / 1S10	
	1.000 L0057860	S2-H11		
-15F5	monitoring device	DOLD & SOEHNE	0.7..1.3*U.N;15-33V;DC	
+E1S	1.000 L0052453	BA903712/001		
-15G1	mains unit	SIEMENS	400V;50/60Hz;24-28.8VDC 40A;0.96kW	
+E1S	1.000 L0052808	6EP1437-1SL11		

EQUIPMENT LIST		machine number: 621007un		high item designation: =E
item inst.place	designation quantity	part.no.	manufacturer type/order no.	technical data
-20F1 +E5S	monitoring device 1.000	L0052453	DOLD & SOEHNE BA903712/001	0.7..1.3*U.N;15-33V;DC
-20F2 +E5S	automatic fuse 1.000	L0057864	ABB GHS271-K16	1pol;K;16A;440V;60VDC
-20F3 +E5S	automatic fuse 1.000	L0057863	ABB GHS271-K10	1pol;K;10A;440V;60VDC
	accessory/special 1.000	L0057860	ABB S2-H11	5VA MIN BEI 24V / 1S10
-20G1 +E5S	mains unit 1.000	L0052808	SIEMENS 6EP1437-1SL11	400V;50/60Hz;24-28.8VDC 40A;0.96kW
-20G2 +E5S	battery 1.000	L0052803	SONNENSCHNEIN 6MX6G 0889561500	STARTER;12V;25Ah
-20G3 +E5S	battery 1.000	L0052803	SONNENSCHNEIN 6MX6G 0889561500	STARTER;12V;25Ah
-20H1 +E3S	signal lamp/holder 1.000	L0751775	ELAN EMLH WEISS	24V;UC;2W;BA9S
	signal lamp/holder 1.000	L0751784	ELAN EL 0280190	250V;UC;BA9S
	bulb/led 1.000	L0752327	BARTHELME KRI/23	BA9S;30V;2W
-20K1 +E5S	contactor/relay 1.000	L0052022	ABB BC7-30-01	Ub:19-26V;DC;Phal:3.5VA;S-el:3H10;Us:500V;Ps:440V/5.5KW
-20K2 +E5S	contactor/relay 1.000	L0052041	ABB BC16-30-10	Ub:21-26V;DC;Phal:7VA;S-el:3H1S;Us:660V;Ps:415V/7.5KW
-20Q1 +E3S	main switch 1.000	L0750302	KRAUS & NAIMER CH16B-A203-600E-S1-	
-20T1 +E5S	transformer 1.000	L0052782	RATHGEBER ET1000	2ph;P:1000VA;Upri:380-460Vf:50-60Hz;Ipri:2.63-2.17A;Usek:210
-20V1 +E5S	accessory/special 1.000	L0052631	SEMIKRON P5/100-35-45-M4	100*108*38MM
	rectifier 1.000	L0052633	SEMIKRON SKB30/08A1	1ph;Un:300V;In:21.0A;Uss:800V
-21F1 +E5S	automatic fuse 1.000	L0057864	ABB GHS271-K16	1pol;K;16A;440V;60VDC
	accessory/special 1.000	L0057860	ABB S2-H11	5VA MIN BEI 24V / 1S10
-21F2 +E5S	automatic fuse 1.000	L0057864	ABB GHS271-K16	1pol;K;16A;440V;60VDC
	accessory/special 1.000	L0057860	ABB S2-H11	5VA MIN BEI 24V / 1S10
-21F3 +E5S	automatic fuse 1.000	L0057864	ABB GHS271-K16	1pol;K;16A;440V;60VDC
	accessory/special 1.000	L0057860	ABB S2-H11	5VA MIN BEI 24V / 1S10
-21F4 +E5S	automatic fuse 1.000	L0057863	ABB GHS271-K10	1pol;K;10A;440V;60VDC
	accessory/special 1.000	L0057860	ABB S2-H11	5VA MIN BEI 24V / 1S10
-21F5 +E5S	automatic fuse 1.000	L0057864	ABB GHS271-K16	1pol;K;16A;440V;60VDC
-21F6 +E5S	automatic fuse 1.000	L0057862	ABB GHS271-K6	1pol;K;6A;440V;60VDC
-21F7 +E5S	automatic fuse 1.000	L0057861	ABB GHS271-K1	1pol;K;1A;440V;60VDC
-21F8	automatic fuse		ABB	1pol;K;10A;440V;60VDC

filter: (not ("I"\$GERAET) and (SYMBOLTYP<>"7") and (SYMBOLTYP< (C) De La Rue Giori S.A.

format: GLGBNH

desig: A233HANS

dated: 16.7.1997

page:15

next page:16

EQUIPMENT LIST		machine number: 621007un		high item designation: =E
item	designation	manufacturer	technical data	
inst.place	quantity part.no.	type/order no.		
+E5S	1.000 L0057863	GHS271-K10		
	accessory/special	ABB		
	1.000 L0057860	S2-H11	5VA MIN BEI 24V / 1S10	
-25D1	edp/interface-acce	PDV-SYSTEME		
+E5S	1.000 L0055325	CIR-E-386SX7-24VDC	80386SX;20MHZ;FLOPPY 1.44MB;14";24VDC	
-25F2	fuse cartridge	KEMPF		
+E5S	1.000 L0755860	5*20	5*20;T2A;250V	
	accessory/special	WAGO		
	1.000 L0720100	281-611	AWG28-12	800V,F.FUSES 5*20/25/30MM
-25F3	fuse cartridge	KEMPF		
+E5S	1.000 L0755860	5*20	5*20;T2A;250V	
	accessory/special	WAGO		
	1.000 L0720100	281-611	AWG28-12	800V,F.FUSES 5*20/25/30MM
-25M1	blower/ventilator	RITTAL		
+E5S	1.000 L0053279	SK3341.230	1ph;480cbm/h;480cbm/h;230V;50/60Hz	
-25M2	blower/ventilator	TELEMETER ELECTRONIC		
+E5S	1.000 L0053291	LE 2-3E-11	3ph;169.2cbm/h;230V;50/60Hz	
-25R1	resistor	DRALORIC		
+E4S	1.000 L0058224	LCA0719	1K2Ohm5%;1W	
-25X2	plug/socket	DITTHA		
+E4SD	1.000 L0756070	2300/2-EWS	2pol.;250V;16A;PE;1.5mm2;STECK	
* -25Z1	filter	PHOENIX		
+E5S	1.000 L0052861	NEF1-3	1ph;250VAC50-60Hz;3A;0.75kW	
-25Z2	filter	PHOENIX		
+E5S	1.000 L0052861	NEF1-3	1ph;250VAC50-60Hz;3A;0.75kW	
* -30G1	mains unit	VERO ELECTRONICS		
+E4SD	1.000 L0056044	MONOVOLT GK30-2	24V;DCHz;4.5-5.5VDC/6A;0.03kW	
* -40F1	monitoring device	ABB		
+E3S	1.000 L0056108	07ZW80R2	17-31V;DC	
-40F2	monitoring device	ABB		
+E3S	1.000 L0056108	07ZW80R2	17-31V;DC	
-40F4	filter	MURRELEKTRONIK		
+E1S	1.000 L0052874	VG-BC6/24	1ph;24VAC24VDC	
-40F5	filter	MURRELEKTRONIK		
+E1S	1.000 L0052874	VG-BC6/24	1ph;24VAC24VDC	
-40H1	horn	SIEMENS		
+E1S	1.000 L0054452	HF 2	230VAC;50/60Hz;25W;100dB	
-40K1	contactor/relay	ABB		
+E1S	1.000 L0052022	BC7-30-01	Ub:19-26V;DC;Phal:3.5VA;S-el:3 H10;Us:500V;Ps:440V/5.5KW	
-40K2	contactor/relay	ABB		
+E1S	1.000 L0052022	BC7-30-01	Ub:19-26V;DC;Phal:3.5VA;S-el:3 H10;Us:500V;Ps:440V/5.5KW	
-40N1	terminal	UEG		
+E4S	1.000 L0720370	ES6	Amax:6mm2	
-41F1	monitoring device	ABB		
+E3S	1.000 L0056108	07ZW80R2	17-31V;DC	
-41F2	filter	MURRELEKTRONIK		
+E1S	1.000 L0052874	VG-BC6/24	1ph;24VAC24VDC	
-41K1	contactor/relay	ABB		
+E1S	1.000 L0052022	BC7-30-01	Ub:19-26V;DC;Phal:3.5VA;S-el:3 H10;Us:500V;Ps:440V/5.5KW	
-41S1	switch/knob button	ELAN		
+E2S	1.000 L0751805	EDT KB	22.5	
	contact element	ELAN	22.5;230VAC;10A	
filter: (not ("I"\$GERAET) and (SYMBOLTYP<>"7") and (SYMBOLTYP<				
format: GLGBNH		desig: A233HANS	dated: 16.7.1997	(C) De La Rue Giori S.A.
			page:16	next page:17

EQUIPMENT LIST machine number: 621007un high item designation: =E

item inst.place	designation quantity part.no.	manufacturer type/order no.	technical data
	1.000 L0751781 shield	EF103.1 ELAN	d:18.9mm
	1.000 L0840999	E-KB-9.1	
-45A1 +E5S	front panel 1.000 L0750819	SCHODER GMBH N.Z.	483mm*266mm*3mm;7pol
-45H3 +E5S	signal lamp/holder 1.000 L0751776	ELAN EMLH GELB	24V;DC;2W;BA9S
	signal lamp/holder 1.000 L0751784	ELAN EL 0280190	250V;UC;BA9S
	bulb/led 1.000 L0752327	BARTHELME KRI/23	BA9S;30V;2W
-45S1 +E5S	switch/knob button 1.000 L0751888	ELAN EDS16-41330	22.5
	contact element 1.000 L0751781	ELAN EF103.1	22.5;230VAC;10A
-45S2 +E5S	switch/knob button 1.000 L0751888	ELAN EDS16-41330	22.5
	contact element 1.000 L0751781	ELAN EF103.1	22.5;230VAC;10A
-45S4 +E5S	switch/knob button 1.000 L0751805	ELAN EDT KB	22.5
	contact element 1.000 L0751781	ELAN EF103.1	22.5;230VAC;10A
	shield 1.000 L0840999	ELAN E-KB-9.1	d:18.9mm
-45S5 +E5S	switch/knob button 1.000 L0751825	ELAN EDS13-0270625	22.5
	contact element 1.000 L0751781	ELAN EF103.1	22.5;230VAC;10A
-45S6 +E5S	switch/knob button 1.000 L0751825	ELAN EDS13-0270625	22.5
	contact element 1.000 L0751781	ELAN EF103.1	22.5;230VAC;10A
-45S7 +E5S	switch/knob button 1.000 L0751805	ELAN EDT KB	22.5
	contact element 1.000 L0751781	ELAN EF103.1	22.5;230VAC;10A
	shield 1.000 L0840999	ELAN E-KB-9.1	d:18.9mm
*-46P1 +E5S	digital display 1.000 L0053712	HENGSTLER 422.1	Ub:22-26V;Awert:999999;In:IMPV LS:24VDC,>=20MS
-46P2 +E5S	digital display 1.000 L0053712	HENGSTLER 422.1	Ub:22-26V;Awert:999999;In:IMPV LS:24VDC,>=20MS
-46P3 +E5S	digital display 1.000 L0053712	HENGSTLER 422.1	Ub:22-26V;Awert:999999;In:IMPV LS:24VDC,>=20MS
-46P4 +E5S	digital display 1.000 L0053712	HENGSTLER 422.1	Ub:22-26V;Awert:999999;In:IMPV LS:24VDC,>=20MS
-60V5 +E3S	rectifier 1.000 L0052633	SEMIKRON SKB30/08A1	1ph;Un:300V;In:21.0A;Uss:800V
-60V6 +E3S	rectifier 1.000 L0052633	SEMIKRON SKB30/08A1	1ph;Un:300V;In:21.0A;Uss:800V
-66C1 +E1S	capacitor 1.000 L0058832	BERGER 00054570071	2.2µF5%;400VAC
-66D1 +E3S	gate/logical eleme 1.000 L0053523	ABB R414	24V;18mm*120mm*99mm
-66V1 +E1S	solid state relay 1.000 L0052543	ABB R102.43	Ub:17-32Vf;DCHz;Us:460VIs:10A

filter: (not ("I"\$GERAET) and (SYMBOLTYP<>"7") and (SYMBOLTYP< (C) De La Rue Giori S.A.

format: GLGBNH

desig: A233HANS

dated: 16.7.1997

page:17

next page:18

EQUIPMENT LIST		machine number: 621007un		high item designation: =E
item inst.place	designation quantity	part.no.	manufacturer type/order no.	technical data
-66V2 +E1S	solid state relay 1.000	L0052543	ABB R102.43	Ub:17-32Vf:DCHz;Us:460VIs:10A
-68C1 +E1S	capacitor 1.000	L0058832	BERGER 00054570071	2.2µF5%;400VAC
-68D1 +E3S	gate/logical eleme 1.000	L0053523	ABB R414	24V;18mm*120mm*99mm
-68V1 +E1S	solid state relay 1.000	L0052543	ABB R102.43	Ub:17-32Vf:DCHz;Us:460VIs:10A
-68V2 +E1S	solid state relay 1.000	L0052543	ABB R102.43	Ub:17-32Vf:DCHz;Us:460VIs:10A
-74N1 +E3S	amplifier 1.000	L0056084	BDT 84-310	Ub:24VDC;In:5V,FL.BUCHSE;Out:24V/0.5A,FUSE:0.6A
-75D1 +E3S	gate/logical eleme 1.000	L0053526	ABB SIGMATRONIC B-R427.1	24V;20mm*88mm*109mm
-75F1 +E2S	prot.motor switch 1.000	L0057710	KLOECKNER-MOELLER PKZM1-0,16	0.1-0.16A;690V
	accessory/special 1.000	L0057723	KLOECKNER-MOELLER NHI11-PKZM1	UE:500V,AMAX.6,1S10,AQ:2.5
-75F2 +E1S	filter 1.000	L0052874	MURRELEKTRONIK VG-BC6/24	1ph;24VAC24VDC
-75K1 +E1S	contactor/relay 1.000	L0052022	ABB BC7-30-01	Ub:19-26V;DC;Phal:3.5VA;S-el:3H10;Us:500V;Ps:440V/5.5KW
-80F1 +E2S	fuse cartridge 1.000	L0755441	SIEMENS AG DIN49515-DIIGR* 16*	DII;FF16A;500V
	screwed cap 1.000	L0754600	FEGA GMBH DIN49514-DII-500	E27;25A;500V
	fuse insert 1.000	L0754740	MAINLAND GMBH DIN49516-DII*16	E27;16A
-80F2 +E1S	overvoltage protec 1.000	L0052694	SPOERLE 595	Un:275AC;P:40
-80U1 +E4S	signal converter 1.000	L0054319	RITZ ESMU-A-A1,5A	AC;In:5A/45-66HZ;Out:0-10V/0-20MA
*-80V1 +E1S	solid state relay 1.000	L0052541	ELECTROMATIC RA2424-D06	Ub:3-32Vf:DCHz;Us:280Vfs:60kHz;Is:25A
*-81U1 +E4S	signal converter 1.000	L0054314	PHOENIX MCR-PT100/2/300/1/0	Ub:20-30VDC;In:PT100;Out:0-20MA
*-81U2 +E4S	signal converter 1.000	L0054310	PHOENIX MCR-C-I/U-0	Ub:20-30VDC;In:0-20MA,RE=50;Out:0-10V,RE=2K
-85D1 +E3S	gate/logical eleme 1.000	L0053526	ABB SIGMATRONIC B-R427.1	24V;20mm*88mm*109mm
-85F1 +E2S	prot.motor switch 1.000	L0057710	KLOECKNER-MOELLER PKZM1-0,16	0.1-0.16A;690V
	accessory/special 1.000	L0057723	KLOECKNER-MOELLER NHI11-PKZM1	UE:500V,AMAX.6,1S10,AQ:2.5
-85F2 +E1S	filter 1.000	L0052874	MURRELEKTRONIK VG-BC6/24	1ph;24VAC24VDC
-85K1 +E1S	contactor/relay 1.000	L0052022	ABB BC7-30-01	Ub:19-26V;DC;Phal:3.5VA;S-el:3H10;Us:500V;Ps:440V/5.5KW
-95D1 +E3S	gate/logical eleme 1.000	L0053526	ABB SIGMATRONIC B-R427.1	24V;20mm*88mm*109mm
-95F1 +E2S	prot.motor switch 1.000	L0057710	KLOECKNER-MOELLER PKZM1-0,16	0.1-0.16A;690V
	accessory/special 1.000	L0057723	KLOECKNER-MOELLER NHI11-PKZM1	UE:500V,AMAX.6,1S10,AQ:2.5

filter: (not ("I"\$GERAET) and (SYMBOLTYP<>"7") and (SYMBOLTYP< (C) De La Rue Giori S.A.  
 format: GLGBNH    desig: A233HANS    dated: 16.7.1997    page:18    next page:19

EQUIPMENT LIST machine number: 621007un high item designation: =E

item inst.place	designation quantity part.no.	manufacturer type/order no.	technical data
	1.000 L0057723 NHI11-PKZM1		
-95F2 +E1S	filter 1.000 L0052874	MURRELEKTRONIK VG-BC6/24	1ph;24VAC24VDC
-95K1 +E1S	contactor/relay 1.000 L0052022	ABB BC7-30-01	Ub:19-26V;DC;Phal:3.5VA;S-el:3 H1O;Us:500V;Ps:440V/5.5KW
-105D1 +E3S	gate/logical eleme 1.000 L0053526	ABB SIGMATRONIC B-R427.1	24V;20mm*88mm*109mm
-105F1 +E2S	prot.motor switch 1.000 L0057710 accessory/special 1.000 L0057723	KLOECKNER-MOELLER PKZM1-0,16 KLOECKNER-MOELLER NHI11-PKZM1	0.1-0.16A;690V UE:500V,AMAX.6,1S1O,AQ:2.5
-105F2 +E1S	filter 1.000 L0052874	MURRELEKTRONIK VG-BC6/24	1ph;24VAC24VDC
-105K1 +E1S	contactor/relay 1.000 L0052022	ABB BC7-30-01	Ub:19-26V;DC;Phal:3.5VA;S-el:3 H1O;Us:500V;Ps:440V/5.5KW
-115D1 +E3S	gate/logical eleme 1.000 L0053526	ABB SIGMATRONIC B-R427.1	24V;20mm*88mm*109mm
-115F1 +E2S	prot.motor switch 1.000 L0057710 accessory/special 1.000 L0057723	KLOECKNER-MOELLER PKZM1-0,16 KLOECKNER-MOELLER NHI11-PKZM1	0.1-0.16A;690V UE:500V,AMAX.6,1S1O,AQ:2.5
-115F2 +E1S	filter 1.000 L0052874	MURRELEKTRONIK VG-BC6/24	1ph;24VAC24VDC
-115K1 +E1S	contactor/relay 1.000 L0052022	ABB BC7-30-01	Ub:19-26V;DC;Phal:3.5VA;S-el:3 H1O;Us:500V;Ps:440V/5.5KW
-125D1 +E3S	gate/logical eleme 1.000 L0053526	ABB SIGMATRONIC B-R427.1	24V;20mm*88mm*109mm
-125F1 +E2S	prot.motor switch 1.000 L0057710 accessory/special 1.000 L0057723	KLOECKNER-MOELLER PKZM1-0,16 KLOECKNER-MOELLER NHI11-PKZM1	0.1-0.16A;690V UE:500V,AMAX.6,1S1O,AQ:2.5
-125F2 +E1S	filter 1.000 L0052874	MURRELEKTRONIK VG-BC6/24	1ph;24VAC24VDC
-125K1 +E1S	contactor/relay 1.000 L0052022	ABB BC7-30-01	Ub:19-26V;DC;Phal:3.5VA;S-el:3 H1O;Us:500V;Ps:440V/5.5KW
-130R1 +E4S	resistor 1.000 L0058224	DRALORIC LCA0719	1K20hm5%;1W
-135D1 +E3S	gate/logical eleme 1.000 L0053526	ABB SIGMATRONIC B-R427.1	24V;20mm*88mm*109mm
-135F1 +E2S	prot.motor switch 1.000 L0057710 accessory/special 1.000 L0057723	KLOECKNER-MOELLER PKZM1-0,16 KLOECKNER-MOELLER NHI11-PKZM1	0.1-0.16A;690V UE:500V,AMAX.6,1S1O,AQ:2.5
-135F2 +E1S	filter 1.000 L0052874	MURRELEKTRONIK VG-BC6/24	1ph;24VAC24VDC
-135K1 +E1S	contactor/relay 1.000 L0052022	ABB BC7-30-01	Ub:19-26V;DC;Phal:3.5VA;S-el:3 H1O;Us:500V;Ps:440V/5.5KW
-145D1 +E3S	gate/logical eleme 1.000 L0053526	ABB SIGMATRONIC B-R427.1	24V;20mm*88mm*109mm
-145F1 +E2S	prot.motor switch 1.000 L0057710 accessory/special 1.000 L0057723	KLOECKNER-MOELLER PKZM1-0,16 KLOECKNER-MOELLER NHI11-PKZM1	0.1-0.16A;690V UE:500V,AMAX.6,1S1O,AQ:2.5

filter: (not ("I"\$GERAET) and (SYMBOLTYP<>"7") and (SYMBOLTYP< (C) De La Rue Giori S.A.

format: GLGBNH

desig: A233HANS

dated: 16.7.1997

page:19

next page:20

EQUIPMENT LIST		machine number: 621007un		high item designation: =E
item inst.place	designation quantity	part.no.	manufacturer type/order no.	technical data
-145F2 +E1S	filter 1.000	L0052874	MURRELEKTRONIK VG-BC6/24	1ph;24VAC24VDC
-145K1 +E1S	contactor/relay 1.000	L0052022	ABB BC7-30-01	Ub:19-26V;DC;Phal:3.5VA;S-el:3 H10;Us:500V;Ps:440V/5.5KW
-155A1 +E2S	rack 1.000	L0052974	ABB 05SR8261	AXODYN;483mm*416mm*283mm
-155F1 +E2S	fuse cartridge 3.000	L0755430	FEGA GMBH DIN49515-DIIGL* 10*	DII;T10A;500V
	fuse holder 1.000	L0754103	KLOECKNER-MOELLER S27/C/FORM-P	E27;3pol;25A;500V
	screwed cap 3.000	L0754600	FEGA GMBH DIN49514-DII-500	E27;25A;500V
	fuse insert 3.000	L0754730	MAINLAND GMBH DIN49516-DII*10	E27;10A
-155F2 +E2S	accessory/special 1.000	L0720100	WAGO 281-611 AWG28-12	800V,F.FUSES 5*20/25/30MM
	fuse cartridge 1.000	L0755800	GROSSHANDEL 30*5	5*30;MT0.2A;500V
-155F3 +E2S	filter 1.000	L0052874	MURRELEKTRONIK VG-BC6/24	1ph;24VAC24VDC
-155F4 +E2S	filter 1.000	L0052874	MURRELEKTRONIK VG-BC6/24	1ph;24VAC24VDC
-155K1 +E2S	contactor/relay 1.000	L0052022	ABB BC7-30-01	Ub:19-26V;DC;Phal:3.5VA;S-el:3 H10;Us:500V;Ps:440V/5.5KW
-155K2 +E2S	contactor/relay 1.000	L0052022	ABB BC7-30-01	Ub:19-26V;DC;Phal:3.5VA;S-el:3 H10;Us:500V;Ps:440V/5.5KW
-155T1 +E2S	transformer 1.000	L0052813	ABB DTK/T	3ph;P:1000VA;Upri:380-420Vf:50 -60Hz;Ipri:1.6A;Usek:30/65V;Is
-410D1 +E4SD	in-/output unit 1.000	L0056196	ABB 35EB90R2	PROC.T300;64 DIGIT.INPUTS,5V,0 PTO-C.
*-410U1 +E4S	signal converter 1.000	L0056115	PHOENIX UEGM-2MSTB/FLK16/LA/	DC;In:-31.2..31.2V;Out:"0":0V" 1":5V
-410U2 +E4S	signal converter 1.000	L0056115	PHOENIX UEGM-2MSTB/FLK16/LA/	DC;In:-31.2..31.2V;Out:"0":0V" 1":5V
-410U3 +E4S	signal converter 1.000	L0056115	PHOENIX UEGM-2MSTB/FLK16/LA/	DC;In:-31.2..31.2V;Out:"0":0V" 1":5V
-410U4 +E4S	signal converter 1.000	L0056115	PHOENIX UEGM-2MSTB/FLK16/LA/	DC;In:-31.2..31.2V;Out:"0":0V" 1":5V
-410U5 +E4S	signal converter 1.000	L0056115	PHOENIX UEGM-2MSTB/FLK16/LA/	DC;In:-31.2..31.2V;Out:"0":0V" 1":5V
-410U6 +E4S	signal converter 1.000	L0056115	PHOENIX UEGM-2MSTB/FLK16/LA/	DC;In:-31.2..31.2V;Out:"0":0V" 1":5V
-410U7 +E4S	signal converter 1.000	L0056115	PHOENIX UEGM-2MSTB/FLK16/LA/	DC;In:-31.2..31.2V;Out:"0":0V" 1":5V
-410U8 +E4S	signal converter 1.000	L0056115	PHOENIX UEGM-2MSTB/FLK16/LA/	DC;In:-31.2..31.2V;Out:"0":0V" 1":5V
*-411D1 +E4SD	in-/output unit 1.000	L0056196	ABB 35EB90R2	PROC.T300;64 DIGIT.INPUTS,5V,0 PTO-C.
-411U1 +E4S	signal converter 1.000	L0056115	PHOENIX UEGM-2MSTB/FLK16/LA/	DC;In:-31.2..31.2V;Out:"0":0V" 1":5V
-411U2 +E4S	signal converter 1.000	L0056115	PHOENIX UEGM-2MSTB/FLK16/LA/	DC;In:-31.2..31.2V;Out:"0":0V" 1":5V

## EQUIPMENT LIST

machine number: 621007un high item designation: =E

item inst.place	designation quantity part.no.	manufacturer type/order no.	technical data
-411U3 +E4S	signal converter 1.000 L0056115	PHOENIX UEGM-2MSTB/FLK16/LA/	DC; In: -31.2..31.2V; Out: "0":0V" 1":5V
-411U4 +E4S	signal converter 1.000 L0056115	PHOENIX UEGM-2MSTB/FLK16/LA/	DC; In: -31.2..31.2V; Out: "0":0V" 1":5V
-411U5 +E4S	signal converter 1.000 L0056115	PHOENIX UEGM-2MSTB/FLK16/LA/	DC; In: -31.2..31.2V; Out: "0":0V" 1":5V
-411U6 +E4S	signal converter 1.000 L0056115	PHOENIX UEGM-2MSTB/FLK16/LA/	DC; In: -31.2..31.2V; Out: "0":0V" 1":5V
-411U7 +E4S	signal converter 1.000 L0056115	PHOENIX UEGM-2MSTB/FLK16/LA/	DC; In: -31.2..31.2V; Out: "0":0V" 1":5V
-411U8 +E4S	signal converter 1.000 L0056115	PHOENIX UEGM-2MSTB/FLK16/LA/	DC; In: -31.2..31.2V; Out: "0":0V" 1":5V
-412D1 +E4SD	in-/output unit 1.000 L0056196	ABB 35EB90R2	PROC.T300;64 DIGIT.INPUTS,5V,0 PTO-C.
-412U1 +E4S	signal converter 1.000 L0056115	PHOENIX UEGM-2MSTB/FLK16/LA/	DC; In: -31.2..31.2V; Out: "0":0V" 1":5V
-412U2 +E4S	signal converter 1.000 L0056115	PHOENIX UEGM-2MSTB/FLK16/LA/	DC; In: -31.2..31.2V; Out: "0":0V" 1":5V
-412U3 +E4S	signal converter 1.000 L0056115	PHOENIX UEGM-2MSTB/FLK16/LA/	DC; In: -31.2..31.2V; Out: "0":0V" 1":5V
-412U4 +E4S	signal converter 1.000 L0056115	PHOENIX UEGM-2MSTB/FLK16/LA/	DC; In: -31.2..31.2V; Out: "0":0V" 1":5V
-412U5 +E4S	signal converter 1.000 L0056115	PHOENIX UEGM-2MSTB/FLK16/LA/	DC; In: -31.2..31.2V; Out: "0":0V" 1":5V
-412U6 +E4S	signal converter 1.000 L0056115	PHOENIX UEGM-2MSTB/FLK16/LA/	DC; In: -31.2..31.2V; Out: "0":0V" 1":5V
-412U7 +E4S	signal converter 1.000 L0056115	PHOENIX UEGM-2MSTB/FLK16/LA/	DC; In: -31.2..31.2V; Out: "0":0V" 1":5V
-412U8 +E4S	signal converter 1.000 L0056115	PHOENIX UEGM-2MSTB/FLK16/LA/	DC; In: -31.2..31.2V; Out: "0":0V" 1":5V
-413D1 +E4SD	in-/output unit 1.000 L0056196	ABB 35EB90R2	PROC.T300;64 DIGIT.INPUTS,5V,0 PTO-C.
-413U1 +E4S	signal converter 1.000 L0056115	PHOENIX UEGM-2MSTB/FLK16/LA/	DC; In: -31.2..31.2V; Out: "0":0V" 1":5V
-413U2 +E4S	signal converter 1.000 L0056115	PHOENIX UEGM-2MSTB/FLK16/LA/	DC; In: -31.2..31.2V; Out: "0":0V" 1":5V
-413U3 +E4S	signal converter 1.000 L0056115	PHOENIX UEGM-2MSTB/FLK16/LA/	DC; In: -31.2..31.2V; Out: "0":0V" 1":5V
-413U4 +E4S	signal converter 1.000 L0056115	PHOENIX UEGM-2MSTB/FLK16/LA/	DC; In: -31.2..31.2V; Out: "0":0V" 1":5V
-413U5 +E4S	signal converter 1.000 L0056115	PHOENIX UEGM-2MSTB/FLK16/LA/	DC; In: -31.2..31.2V; Out: "0":0V" 1":5V
-413U6 +E4S	signal converter 1.000 L0056115	PHOENIX UEGM-2MSTB/FLK16/LA/	DC; In: -31.2..31.2V; Out: "0":0V" 1":5V
-413U7 +E4S	signal converter 1.000 L0056115	PHOENIX UEGM-2MSTB/FLK16/LA/	DC; In: -31.2..31.2V; Out: "0":0V" 1":5V
-413U8 +E4S	signal converter 1.000 L0056115	PHOENIX UEGM-2MSTB/FLK16/LA/	DC; In: -31.2..31.2V; Out: "0":0V" 1":5V
-414D1 +E4SD	in-/output unit 1.000 L0056196	ABB 35EB90R2	PROC.T300;64 DIGIT.INPUTS,5V,0 PTO-C.

filter: (not ("I"\$GERAET) and (SYMBOLTYP<>"7") and (SYMBOLTYP< (C) De La Rue Giori S.A.

format: GLGBNH

desig: A233HANS

dated: 16.7.1997

page:21

next page:22



EQUIPMENT LIST machine number: 621007un high item designation: =E

item inst.place	designation quantity	part.no.	manufacturer type/order no.	technical data
-414U1 +E4S	signal converter 1.000	L0056115	PHOENIX UEGM-2MSTB/FLK16/LA/	DC; In: -31.2..31.2V; Out: "0":0V" 1":5V
-414U2 +E4S	signal converter 1.000	L0056115	PHOENIX UEGM-2MSTB/FLK16/LA/	DC; In: -31.2..31.2V; Out: "0":0V" 1":5V
-414U3 +E4S	signal converter 1.000	L0056115	PHOENIX UEGM-2MSTB/FLK16/LA/	DC; In: -31.2..31.2V; Out: "0":0V" 1":5V
-414U4 +E4S	signal converter 1.000	L0056115	PHOENIX UEGM-2MSTB/FLK16/LA/	DC; In: -31.2..31.2V; Out: "0":0V" 1":5V
-415D1 +E4SD	in-/output unit 1.000	L0056196	ABB 35EB90R2	PROC. T300; 64 DIGIT. INPUTS, 5V, O PTO-C.
-415U3 +E4S	signal converter 1.000	L0056139	PHOENIX MCR-ADC8/U-10/S05	Ub: 20-30VDC; In: 0-10V/400K; Out: 8BIT/5V, 8KHZ
-415U5 +E4S	signal converter 1.000	L0056139	PHOENIX MCR-ADC8/U-10/S05	Ub: 20-30VDC; In: 0-10V/400K; Out: 8BIT/5V, 8KHZ
-415U7 +E4S	signal converter 1.000	L0056115	PHOENIX UEGM-2MSTB/FLK16/LA/	DC; In: -31.2..31.2V; Out: "0":0V" 1":5V
-415U8 +E4S	signal converter 1.000	L0056115	PHOENIX UEGM-2MSTB/FLK16/LA/	DC; In: -31.2..31.2V; Out: "0":0V" 1":5V
-416D1 +E4SD	in-/output unit 1.000	L0056196	ABB 35EB90R2	PROC. T300; 64 DIGIT. INPUTS, 5V, O PTO-C.
-416U1 +E4S	signal converter 1.000	L0056115	PHOENIX UEGM-2MSTB/FLK16/LA/	DC; In: -31.2..31.2V; Out: "0":0V" 1":5V
-416U2 +E4S	signal converter 1.000	L0056115	PHOENIX UEGM-2MSTB/FLK16/LA/	DC; In: -31.2..31.2V; Out: "0":0V" 1":5V
-416U3 +E4S	signal converter 1.000	L0056115	PHOENIX UEGM-2MSTB/FLK16/LA/	DC; In: -31.2..31.2V; Out: "0":0V" 1":5V
-416U4 +E4S	signal converter 1.000	L0056115	PHOENIX UEGM-2MSTB/FLK16/LA/	DC; In: -31.2..31.2V; Out: "0":0V" 1":5V
-416U5 +E4S	signal converter 1.000	L0056115	PHOENIX UEGM-2MSTB/FLK16/LA/	DC; In: -31.2..31.2V; Out: "0":0V" 1":5V
-416U6 +E4S	signal converter 1.000	L0056115	PHOENIX UEGM-2MSTB/FLK16/LA/	DC; In: -31.2..31.2V; Out: "0":0V" 1":5V
-416U7 +E4S	signal converter 1.000	L0056115	PHOENIX UEGM-2MSTB/FLK16/LA/	DC; In: -31.2..31.2V; Out: "0":0V" 1":5V
-416U8 +E4S	signal converter 1.000	L0056115	PHOENIX UEGM-2MSTB/FLK16/LA/	DC; In: -31.2..31.2V; Out: "0":0V" 1":5V
-417D1 +E4SD	in-/output unit 1.000	L0056196	ABB 35EB90R2	PROC. T300; 64 DIGIT. INPUTS, 5V, O PTO-C.
-417U1 +E4S	signal converter 1.000	L0056115	PHOENIX UEGM-2MSTB/FLK16/LA/	DC; In: -31.2..31.2V; Out: "0":0V" 1":5V
-417U2 +E4S	signal converter 1.000	L0056115	PHOENIX UEGM-2MSTB/FLK16/LA/	DC; In: -31.2..31.2V; Out: "0":0V" 1":5V
-417U3 +E4S	signal converter 1.000	L0056115	PHOENIX UEGM-2MSTB/FLK16/LA/	DC; In: -31.2..31.2V; Out: "0":0V" 1":5V
-417U4 +E4S	signal converter 1.000	L0056115	PHOENIX UEGM-2MSTB/FLK16/LA/	DC; In: -31.2..31.2V; Out: "0":0V" 1":5V
-417U5 +E4S	signal converter 1.000	L0056115	PHOENIX UEGM-2MSTB/FLK16/LA/	DC; In: -31.2..31.2V; Out: "0":0V" 1":5V
-417U6 +E4S	signal converter 1.000	L0056115	PHOENIX UEGM-2MSTB/FLK16/LA/	DC; In: -31.2..31.2V; Out: "0":0V" 1":5V

EQUIPMENT LIST machine number: 621007un high item designation: =E

item inst.place	designation quantity	part.no.	manufacturer type/order no.	technical data
-417U7 +E4S	signal converter 1.000	L0056115	PHOENIX UEGM-2MSTB/FLK16/LA/	DC; In: -31.2..31.2V; Out: "0":0V" 1":5V
-417U8 +E4S	signal converter 1.000	L0056115	PHOENIX UEGM-2MSTB/FLK16/LA/	DC; In: -31.2..31.2V; Out: "0":0V" 1":5V
-418D1 +E4SD	in-/output unit 1.000	L0056196	ABB 35EB90R2	PROC.T300;64 DIGIT.INPUTS,5V,0 PTO-C.
-418U1 +E4S	signal converter 1.000	L0056115	PHOENIX UEGM-2MSTB/FLK16/LA/	DC; In: -31.2..31.2V; Out: "0":0V" 1":5V
-418U2 +E4S	signal converter 1.000	L0056115	PHOENIX UEGM-2MSTB/FLK16/LA/	DC; In: -31.2..31.2V; Out: "0":0V" 1":5V
-418U3 +E4S	signal converter 1.000	L0056115	PHOENIX UEGM-2MSTB/FLK16/LA/	DC; In: -31.2..31.2V; Out: "0":0V" 1":5V
-418U4 +E4S	signal converter 1.000	L0056115	PHOENIX UEGM-2MSTB/FLK16/LA/	DC; In: -31.2..31.2V; Out: "0":0V" 1":5V
-418U7 +E4S	signal converter 1.000	L0056115	PHOENIX UEGM-2MSTB/FLK16/LA/	DC; In: -31.2..31.2V; Out: "0":0V" 1":5V
* -420D1 +E4SD	in-/output unit 1.000	L0056197	ABB GJR5132200R1	PROC.T300;64DIGIT.OUTPUTS,OPTO -C.,5V
* -420K2 +E3S	contactor/relay 1.000	L0056109	PHOENIX UMK-8REL/KSR-G24/TR/	Ub:19-26V;DC;S-el:8W;Us:250V;P s:250V/4A
-420K4 +E3S	contactor/relay 1.000	L0056109	PHOENIX UMK-8REL/KSR-G24/TR/	Ub:19-26V;DC;S-el:8W;Us:250V;P s:250V/4A
-420N1 +E3S	amplifier 1.000	L0056084	BDT 84-310	Ub:24VDC; In:5V, FL.BUCHSE; Out:2 4V/0.5A, FUSE:0.6A
-420N3 +E3S	amplifier 1.000	L0056084	BDT 84-310	Ub:24VDC; In:5V, FL.BUCHSE; Out:2 4V/0.5A, FUSE:0.6A
-420N5 +E3S	amplifier 1.000	L0056083	BDT 84-031-012	Ub:24VDC; In:5V, FL-BUCHSE; Out:2 4V/0.5A, FUSE:0.6A
-420N7 +E3S	amplifier 1.000	L0056083	BDT 84-031-012	Ub:24VDC; In:5V, FL-BUCHSE; Out:2 4V/0.5A, FUSE:0.6A
-421D1 +E4SD	in-/output unit 1.000	L0056197	ABB <i>35AB90</i> GJR5132200R1	PROC.T300;64DIGIT.OUTPUTS,OPTO -C.,5V
-421N1 +E3S	amplifier 1.000	L0056083	BDT 84-031-012	Ub:24VDC; In:5V, FL-BUCHSE; Out:2 4V/0.5A, FUSE:0.6A
-421N3 +E3S	amplifier 1.000	L0056084	BDT 84-310	Ub:24VDC; In:5V, FL.BUCHSE; Out:2 4V/0.5A, FUSE:0.6A
-421N4 +E3S	amplifier 1.000	L0056084	BDT 84-310	Ub:24VDC; In:5V, FL.BUCHSE; Out:2 4V/0.5A, FUSE:0.6A
-421N5 +E3S	amplifier 1.000	L0056083	BDT 84-031-012	Ub:24VDC; In:5V, FL-BUCHSE; Out:2 4V/0.5A, FUSE:0.6A
-421N7 +E3S	amplifier 1.000	L0056083	BDT 84-031-012	Ub:24VDC; In:5V, FL-BUCHSE; Out:2 4V/0.5A, FUSE:0.6A
-422D1 +E4SD	in-/output unit 1.000	L0056197	ABB GJR5132200R1	PROC.T300;64DIGIT.OUTPUTS,OPTO -C.,5V
-422N1 +E3S	amplifier 1.000	L0056083	BDT 84-031-012	Ub:24VDC; In:5V, FL-BUCHSE; Out:2 4V/0.5A, FUSE:0.6A
-422N3 +E3S	amplifier 1.000	L0056083	BDT 84-031-012	Ub:24VDC; In:5V, FL-BUCHSE; Out:2 4V/0.5A, FUSE:0.6A
-422N5 +E3S	amplifier 1.000	L0056083	BDT 84-031-012	Ub:24VDC; In:5V, FL-BUCHSE; Out:2 4V/0.5A, FUSE:0.6A

EQUIPMENT LIST machine number: 621007un high item designation: =E

item inst.place	designation quantity	part.no.	manufacturer type/order no.	technical data
-422N7 +E3S	amplifier 1.000	L0056083	BDT 84-031-012	Ub:24VDC; In:5V, FL-BUCHSE; Out: 4V/0.5A, FUSE:0.6A
-423D1 +E4SD	in-/output unit 1.000	L0056197	ABB GJR5132200R1	PROC. T300; 64DIGIT. OUTPUTS, OPTO-C., 5V
-423N1 +E3S	amplifier 1.000	L0056083	BDT 84-031-012	Ub:24VDC; In:5V, FL-BUCHSE; Out: 4V/0.5A, FUSE:0.6A
-423N3 +E3S	amplifier 1.000	L0056084	BDT 84-310	Ub:24VDC; In:5V, FL-BUCHSE; Out: 4V/0.5A, FUSE:0.6A
-423N4 +E3S	amplifier 1.000	L0056084	BDT 84-310	Ub:24VDC; In:5V, FL-BUCHSE; Out: 4V/0.5A, FUSE:0.6A
-423N5 +E3S	amplifier 1.000	L0056083	BDT 84-031-012	Ub:24VDC; In:5V, FL-BUCHSE; Out: 4V/0.5A, FUSE:0.6A
-423N7 +E3S	amplifier 1.000	L0056083	BDT 84-031-012	Ub:24VDC; In:5V, FL-BUCHSE; Out: 4V/0.5A, FUSE:0.6A
-424D1 +E4SD	in-/output unit 1.000	L0056197	ABB GJR5132200R1	PROC. T300; 64DIGIT. OUTPUTS, OPTO-C., 5V
-424K1 +E3S	contactor/relay 1.000	L0056109	PHOENIX UMK-8REL/KSR-G24/TR/	Ub:19-26V; DC; S-el:8W; Us:250V; Ps:250V/4A
-424N2 +E3S	amplifier 1.000	L0056084	BDT 84-310	Ub:24VDC; In:5V, FL-BUCHSE; Out: 4V/0.5A, FUSE:0.6A
-424N3 +E3S	amplifier 1.000	L0056083	BDT 84-031-012	Ub:24VDC; In:5V, FL-BUCHSE; Out: 4V/0.5A, FUSE:0.6A
-424N5 +E3S	amplifier 1.000	L0056083	BDT 84-031-012	Ub:24VDC; In:5V, FL-BUCHSE; Out: 4V/0.5A, FUSE:0.6A
-424N7 +E3S	amplifier 1.000	L0056084	BDT 84-310	Ub:24VDC; In:5V, FL-BUCHSE; Out: 4V/0.5A, FUSE:0.6A
-424N8 +E3S	amplifier 1.000	L0056084	BDT 84-310	Ub:24VDC; In:5V, FL-BUCHSE; Out: 4V/0.5A, FUSE:0.6A
-425D1 +E4SD	in-/output unit 1.000	L0056197	ABB GJR5132200R1	PROC. T300; 64DIGIT. OUTPUTS, OPTO-C., 5V
-425N1 +E3S	amplifier 1.000	L0056083	BDT 84-031-012	Ub:24VDC; In:5V, FL-BUCHSE; Out: 4V/0.5A, FUSE:0.6A
-425N3 +E3S	amplifier 1.000	L0056083	BDT 84-031-012	Ub:24VDC; In:5V, FL-BUCHSE; Out: 4V/0.5A, FUSE:0.6A
-425N5 +E3S	amplifier 1.000	L0056083	BDT 84-031-012	Ub:24VDC; In:5V, FL-BUCHSE; Out: 4V/0.5A, FUSE:0.6A
-425N7 +E3S	amplifier 1.000	L0056083	BDT 84-031-012	Ub:24VDC; In:5V, FL-BUCHSE; Out: 4V/0.5A, FUSE:0.6A
-450A1 +E4SD	rack 1.000	L0056190	ABB 35GS93R1	PROC. T300; 426.7mm*265.9mm*244.5mm
* -450A2 +E4SD	rack 1.000	L0056178	ABB 35TP90R1	PROC. T300; 20mm*233mm*166mm
-450A3 +E4SD	rack 1.000	L0056178	ABB 35TP90R1	PROC. T300; 20mm*233mm*166mm
-450A4 +E4SD	rack 1.000	L0056178	ABB 35TP90R1	PROC. T300; 20mm*233mm*166mm
* -450D1 +E4SD	interface/coupler 1.000	L0056158	ABB 35AC90R1	+5V, ARCNET
* -450D2 +E4SD	cpu/memory/funct.u 1.000	L0056157	ABB 35ZE94R0101	PROC. T300; PLC FOR MPST-BUS, 30K BYTE, 2, 5MS/K

*Down rack  
card for encoders*

EQUIPMENT LIST		machine number: 621007un		high item designation: =E
item	designation	manufacturer	technical data	
inst.place	quantity	part.no.	type/order no.	
-450D3 +E4SD	cpu/memory/funct.u	ABB		PROC.T300;PLC FOR MPST-BUS, 30K
	1.000	L0056157	35ZE94R0101	BYTE, 2, 5MS/K
-450D4 +E4SD	cpu/memory/funct.u	ABB		PROC.T300;PLC FOR MPST-BUS, 30K
	1.000	L0056157	35ZE94R0101	BYTE, 2, 5MS/K
*-450D5 +E4SD	cpu/memory/funct.u	ABB		PROC.T300;4 AXIS +/-10V
	1.000	L0056195	35AE92R2	<i>AXIS card</i>
*-450D7 +E4SD	interface/coupler	ABB		20*233*166MM, MPST-BUS-COUPLING
	1.000	L0056185	35EK91R1	<i>90°</i>
*-450G1 +E4SD	mains unit	ABB		24V;DCHz;5V/12A, ; -12..15V/2A;1
	1.000	L0056191	35NE93R0001	20kW <i>7/2V-</i>
-450G2 +E4SD	mains unit	ABB		24V;DCHz;5V/12A, ; -12..15V/2A;1
	1.000	L0056191	35NE93R0001	20kW
-450R1 +E4SD	resistor	TELEGAERTNER		930hm
	1.000	L0756702	J01006A1373	
	plug/socket	TELEGAERTNER		1pol.
	1.000	L0756703	BU-STI-BU	
-500A1 +E4SD	rack	ABB		PROC.T300;426.7mm*265.9mm*244.5mm
	1.000	L0056190	35GS93R1	<i>TOP RACK</i>
*-500D5 +E4SD	interface/coupler	ABB		20*233*166MM, MPST-BUS-COUPLING
	1.000	L0056185	35EK91R1	
	cable w.plug/socket	ABB		50x0.14mm <sup>2</sup> ;S;0.6m
	1.000	L0056186	35SK96R1	
-500G2 +E4SD	mains unit	ABB		24V;DCHz;5V/12A, ; -12..15V/2A;1
	1.000	L0056191	35NE93R0001	20kW
-600D1 +E3S	cpu/memory/funct.u	ABB		ARC./CS31;24VDC, ARCNET, 24/16BIN. IN-/OUTPUT
	1.000	L0055976	07KT93R161	
-600R2 +E3S	resistor	SPOERLE		1200hm5%;1W
	1.000	L0058243	PR01	
-601D1 +E3S	in-/output unit	ABB		CS31;16IN-, 8OUT-PUTS, 0.5A, 8I/O
	1.000	L0055977	ICDG32L1	
-602D1 +E3S	in-/output unit	ABB		CS31;16IN-, 8OUT-PUTS, 0.5A, 8I/O
	1.000	L0055977	ICDG32L1	
-603D1 +E3S	in-/output unit	ABB		CS31;16IN-, 8OUT-PUTS, 0.5A, 8I/O
	1.000	L0055977	ICDG32L1	
-603R1 +E3S	resistor	SPOERLE		1200hm5%;1W
	1.000	L0058243	PR01	
-700C1 +E4S	capacitor	ROEDERSTEIN		4.7µF40VDC
	1.000	L0058892	EG-4700/40	
-700N1 +E5S	edp/interface-acce	ABECO		240V50HZ, 0.25A, 8*ARCNET
	1.000	L0055980	ARC HUB SMC	
*-700U1 +E4S	mains unit	MURRELEKTRONIK		24V;12VDC/0.7A;0.0084kW
	1.000	L0844128	MDD-85656	
-700U2 +E4S	mains unit	MURRELEKTRONIK		24V;12VDC/0.7A;0.0084kW
	1.000	L0844128	MDD-85656	
-700V1 +E4S	diode/semiconducto	WAGO		US: 250V, I:1A, 1N4007
	1.000	L0720242	280-803/281-411	
-700V2 +E4S	diode/semiconducto	WAGO		US: 250V, I:1A, 1N4007
	1.000	L0720242	280-803/281-411	
-700V3 +E4S	diode/semiconducto	WAGO		US: 250V, I:1A, 1N4007
	1.000	L0720242	280-803/281-411	
-700V4	diode/semiconducto	WAGO		US: 250V, I:1A, 1N4007

EQUIPMENT LIST machine number: 621007un high item designation: =E

item inst.place	designation quantity	part.no.	manufacturer type/order no.	technical data
+E4S	1.000	L0720242	280-803/281-411	
-700V5 +E4S	diode/semiconducto 1.000	L0720242	WAGO 280-803/281-411	US: 250V, I:1A, 1N4007
-700V6 +E4S	diode/semiconducto 1.000	L0720242	WAGO 280-803/281-411	US: 250V, I:1A, 1N4007
-700V7 +E4S	diode/semiconducto 1.000	L0720242	WAGO 280-803/281-411	US: 250V, I:1A, 1N4007
-701R1 +E3S	resistor 1.000	L0756702	TELEGAERTNER J01006A1373	93Ohm
-701R2 +E3S	resistor 1.000	L0756702	TELEGAERTNER J01006A1373	93Ohm
-701R3 +E3S	resistor 1.000	L0756702	TELEGAERTNER J01006A1373	93Ohm
-701R4 +E3S	resistor 1.000	L0756702	TELEGAERTNER J01006A1373	93Ohm
* -2021aX +E4S	adapter/plug eleme 1.000	L0756648	PHOENIX FLKM-D15 SUB/S	Un:125V; In:2.5A; Ans:15
-2022aX +E4S	adapter/plug eleme 1.000	L0756648	PHOENIX FLKM-D15 SUB/S	Un:125V; In:2.5A; Ans:15
-2023aX +E4S	adapter/plug eleme 1.000	L0756648	PHOENIX FLKM-D15 SUB/S	Un:125V; In:2.5A; Ans:15
* -2025X +E2S	adapter/plug eleme 1.000	L0756647	PHOENIX FLKM-D9 SUB/S	Un:125V; In:2.5A; Ans:9
-W410 +E4SD	cable w.plug/socke 42.000	L0056176	ABB 35SK90R5	34x0.1mm2; 2.5m
	cable w.plug/socke 19.000	L0056177	BDT 54511	34x0.1mm2; 3.5m

filter: (not ("I" \$GERAET) and (SYMBOLTYP <> "7") and (SYMBOLTYP < (C) De La Rue Giori S.A.

format: GLGBNH

desig: A233HANS

dated: 16.7.1997

page:26

next page:27

EQUIPMENT LIST		machine number: 621007un high item designation: =F		
item inst.place	designation quantity part.no.	manufacturer type/order no.	technical data	
-1B1 +F	rotating pulse gen 1.000 L0053548 plug/socket 1.000 L0756370 accessory/special 1.000 L0053533	HEIDENHAIN ROD 426B-00131000RV1 HEIDENHAIN / ABB 29169705 / 505560 BALLUFF BDG-630-03	1000Imp/U;5V;DC;TTL;6mm 12pol.;30V;0.5A;0.5mm2;SCHRAUF M? D1=12 D2=3.5 L=5.5	
-1L1 +E2S	smoothing choke 1.000 L0052882	ABB GD 805	1ph;100V;8A;100mH	
-1M1 +F	motor DC 1.000 L0051710 accessory/special 1.000 L0053549 accessory/special 1.000 L0053551	ABB F9M4R+F9T ABB WAC 25-10-6 - 500933 ABB FPG 401 - 505757	Pn:0.07kW;nmax:4000min-1;Ua:22 V;Ia:6.4A;Mab:1.15Nm D1=6 D2=10 L=30 D=110MM,L=64MM,PG9	
-1N1 +E2S	speed controller 1.000 L0052973	ABB 05SM8123-95	Un:95 (40-95)Vf:DCHz;Ua:-70/+7 0VDC;Ia:12A;Pn:2.1kW	
-5B1 +F	proximity switch 1.000 L0752957	BALLUFF BES516-356-S4C	0-3.2mm;10-30V;DC;PNP;0.4kHz	
-5B2 +F	proximity switch 1.000 L0752959	BALLUFF BES516-3019-S4C	0-3.2mm;10-30V;DC;PNP;0.4kHz	
-5B3 +F	proximity switch 1.000 L0752959	BALLUFF BES516-3019-S4C	0-3.2mm;10-30V;DC;PNP;0.4kHz	
-5B4 +F	proximity switch 1.000 L0752957	BALLUFF BES516-356-S4C	0-3.2mm;10-30V;DC;PNP;0.4kHz	
-5X1 +F	adapter/plug eleme 1.000 L0725322 plug/socket 4.000 L0752977	MURRELEKTRONIK MVSS-J-276047 MURRELEKTRONIK 27625	Un:24V;In:2 (50VA)A;Ans:4+1 5pol.;250V;3A;0.75mm2	
-10B1 +F	1.000 im LVS-X			
-10X1 +F	adapter/plug eleme 1.000 L0725322 plug/socket 4.000 L0752977	MURRELEKTRONIK MVSS-J-276047 MURRELEKTRONIK 27625	Un:24V;In:2 (50VA)A;Ans:4+1 5pol.;250V;3A;0.75mm2	
-25A1 +E1S	rack 1.000 L0720880	LUETZE MPE-9	45mm*77mm*45mm	
-25A2 +E1S	rack 1.000 L0720880	LUETZE MPE-9	45mm*77mm*45mm	
-25F1 +E1S	fuse cartridge 2.000 L0755410 accessory/special 1.000 L0754157 screwed cap 2.000 L0754600 fuse insert 2.000 L0754700 fuse holder 1.000 L0754156	MAINLAND GMBH DIN49515-DIIGL* 4* RITTAL SV3428 FEGA GMBH DIN49514-DII-500 - DIN49516-DII* 2 RITTAL SV3427	DII;T4A;500V E27,3POL,42*230MM,F.SV3427 E27;25A;500V E27;2A E27;3pol;25A;500V	
-25F2 +E1S	automatic fuse 1.000 L0057864 accessory/special 1.000 L0057860	ABB GHS271-K16 ABB S2-H11	1pol;K;16A;440V;60VDC 5VA MIN BEI 24V / 1S10	
-25F3 +E1S	filter 1.000 L0052873	MURRELEKTRONIK LG-B30	1ph;24VDC10A;0.24kW	
-25F4 +E1S	filter 1.000 L0052873	MURRELEKTRONIK LG-B30	1ph;24VDC10A;0.24kW	
-25K1	contactor/relay	ABB	Ub:24V;DC;Phal:7VA;S-el:3H2S20	
filter: (not ("I"\$GERAET) and (SYMBOLTYP<>"7") and (SYMBOLTYP<				
(C) De La Rue Giori S.A.				
format: GLGBNH	desig: A233HANS	dated: 16.7.1997	page:27	next page:28

EQUIPMENT LIST		machine number: 621007un high item designation: =F		
item	designation	manufacturer	technical data	
inst.place	quantity part.no.	type/order no.		
+E1S	1.000 L0052011	BC18-30-22	;Us:415V;Ps:400V/16A	
-25K2	1.000 L0052011	ABB	;Ub:24V;DC;Phal:7VA;S-el:3H2S2C	
+E1S	1.000 L0052011	BC18-30-22	;Us:415V;Ps:400V/16A	
✓ -25M1	1.000 L0051390	PREMAG	12VDC, 240W, 6-20A, IP54, 60°C	
+F	1.000 L0051390	MPD6405300		
-25T1	1.000 L0052713	RATHGEBER	1ph;P:500VA;Upri:0-460Vf:50/60	
+E1S	1.000 L0052713	ET320	Hz;Ipri:1.32A;Usek:0-13.3V;Ise	
-25V1	1.000 L0052633	SEMIKRON	1ph;Un:300V;In:21.0A;Uss:800V	
+E1S	1.000 L0052633	SKB30/08A1		
* -25Z1	1.000 L0058790	RIFA	1ph;250VAC630VDC0.22kOhm/0.25u	
+E1S	1.000 L0058790	PMR202MD6250M220	F	
-25Z2	1.000 L0058790	RIFA	1ph;250VAC630VDC0.22kOhm/0.25u	
+E1S	1.000 L0058790	PMR202MD6250M220	F	
-25Z3	1.000 L0058790	RIFA	1ph;250VAC630VDC0.22kOhm/0.25u	
+E1S	1.000 L0058790	PMR202MD6250M220	F	
-25Z4	1.000 L0058790	RIFA	1ph;250VAC630VDC0.22kOhm/0.25u	
+E1S	1.000 L0058790	PMR202MD6250M220	F	
-25Z5	1.000 L0058790	RIFA	1ph;250VAC630VDC0.22kOhm/0.25u	
+E1S	1.000 L0058790	PMR202MD6250M220	F	
-30B1	1.000 L0752895	IFM ELECTRONIC	0-2mm;10-36V;DC;PNP;0.8kHz	
+F	1.000 L0752895	IS-3002-BPOG+AS-510T		
-30B2	1.000 L0752922	IFM ELECTRONIC	0-8mm;10-55V;DC;0.2kHz	
+F	1.000 L0752922	IG-5401-IG3008BPKG10		
-30B3	1.000 L0752957	BALLUFF	0-3.2mm;10-30V;DC;PNP;0.4kHz	
+F	1.000 L0752957	BES516-356-S4C		
-30B4	1.000 L0053394	WENGLOR SENSORIC	0- 3500;10-30VDC;PNP;0.6kHz	
+F	1.000 L0053394	LW86PCV3	317mm	
-35B1	1.000 L0752895	IFM ELECTRONIC	0-2mm;10-36V;DC;PNP;0.8kHz	
+F	1.000 L0752895	IS-3002-BPOG+AS-510T		
-35B2	1.000 L0053394	WENGLOR SENSORIC	0- 3500;10-30VDC;PNP;0.6kHz	
+F	1.000 L0053394	LW86PCV3		
-40S1	1.000 L0752641	SCHMERSAL	230VAC;4A	
+F	1.000 L0752641	AZ15ZVRK		
	1.000 L0752642	SCHMERSAL	56*28*16MM	
	1.000 L0752642	B1		
-50Y3	1.000 L2670582	FESTO	24VUC, 4.5W, ED:100%, IP65	
+F	1.000 L2670582	MSFG-24-4527		
	1.000 L2670753	FESTO	100%	
	1.000 L2670753	MFH-5-1/8 9982		
-55V1	1.000 L0056085	BDT	Ub:24Vf:DCHz;Us:24VIs:4A	
+E3S	1.000 L0056085	84-270		
-55V2	1.000 L0056085	BDT	Ub:24Vf:DCHz;Us:24VIs:4A	
+E3S	1.000 L0056085	84-270		
-55X1	1.000 L0851090	MURRELEKTRONIK	Un:24V;In:2 (50VA)A;Ans:8+1	
+F	1.000 L0851090	MVSS-AS-276208		
	8.000 L0752978	MURRELEKTRONIK	5pol.;250V;3A;0.75mm <sup>2</sup> ;M12	
	8.000 L0752978	27635		
-55Y1	1.000 L6698631			
+F	1.000 L6698631			
-55Y2	1.000 L6698631			
+F	1.000 L6698631			

EQUIPMENT LIST machine number: 621007un high item designation: =F

item inst.place	designation quantity	part.no.	manufacturer type/order no.	technical data
-55Y3 +F	solenoid valve 1.000	L0059114	FESTO MSFG-24-OD-34411	24VUC, 4.5W, ED:100%, IP65
-90N1 +E3S	amplifier 1.000	L0053869	BOESER ODER HBM MVD2555	Ub:207-243VAC;f:50/60Hz;In:0.5 MV...1V;Out:+/- 0-10V
-90R1 +F	1.000	L6696860		

filter: (not ("I"\$GERAET)and(SYMBOLTYP<>"7")and(SYMBOLTYP< (C) De La Rue Giori S.A.

format: GLGBNH

desig: A233HANS

dated: 16.7.1997

page:29

next page:30



EQUIPMENT LIST		machine number: 621007un high item designation: =G		
item	designation	manufacturer	technical data	
inst.place	quantity part.no.	type/order no.		
-1A1 +G	1.000 L6643810			
-1A1-2C1 +G	1.000 H00000			
-1A1-2C2 +G	1.000 H00000			
-1A1-2R1 +G	1.000 H00000			
-1A1-2R2 +G	1.000 H00000			
-1A1-20S2 +G	1.000 H00000			
-1A1-K1 +G	1.000 H00000			
-1A1-K2 +G	1.000 H00000			
-1A1-S3 +G	1.000 H00000			
-1F1 +E1S	prot.motor switch 1.000 L0057714 accessory/special 1.000 L0057723	KLOECKNER-MOELLER PKZM1-1 KLOECKNER-MOELLER NHI11-PKZM1	0.6-1A;690V UE:500V,AMAX.6,1S10,AQ:2.5	
-1F2 +E1S	filter 1.000 L0052874	MURRELEKTRONIK VG-BC6/24	1ph;24VAC24VDC	
-1K1 +E1S	contactor/relay 1.000 L0052022	ABB BC7-30-01	Ub:19-26V;DC;Phal:3.5VA;S-el:3 H10;Us:500V;Ps:440V/5.5KW	
-1K2 +E1S 4	contactor/relay 1.000 L0052512 accessory/special 1.000 L0720097	WAGO 286-304/002-000 WAGO 280-609	Ub:24V;DC;Phal:0.53VA;S-el:1W; Us:250V;Ps:250V/7A 2*6POLS 0.08-2.5MM2	
-5A1 +DT15	front panel 1.000 L0066510	KBA O.Z.	DT15	
-5A1-H17 +DT15	signal lamp/holder 1.000 L0751777 signal lamp/holder 1.000 L0751784 bulb/led 1.000 L0752327	ELAN EMLH ROT ELAN EL 0280190 BARTHELME KRI/23	24V;UC;2W;BA9S 250V;UC;BA9S BA9S;30V;2W	
-5A1-S11 +DT15	switch/knob button 1.000 L0751805 contact element 1.000 L0751781 shield 1.000 L0840999	ELAN EDT KB ELAN EF103.1 ELAN E-KB-9.1	22.5 22.5;230VAC;10A d:18.9mm	
-5A1-S12 +DT15	switch/knob button 1.000 L0751727 signal lamp/holder 1.000 L0751784 contact element 1.000 L0751781 bulb/led 1.000 L0752327 shield 1.000 L0841274	ELAN EDL WS KB ELAN EL 0280190 ELAN EF103.1 BARTHELME KRI/23 ELAN E-KB-9.0	22.5 250V;UC;BA9S 22.5;230VAC;10A BA9S;30V;2W d:18.9mm	
-5A1-S13 +DT15	switch/knob button 1.000 L0751708 contact element ELAN	ELAN EWS32,1KB__3STELLIG	22.5 22.5;230VAC;10A	
filter: (not ("I"\$GERAET) and (SYMBOLTYP<>"7") and (SYMBOLTYP<				
format: GLGBNH			(C) De La Rue Giori S.A.	
desig: A233HANS		dated: 16.7.1997		page:30
				next page:31

EQUIPMENT LIST		machine number: 621007un high item designation: =G		
item inst.place	designation quantity part.no.	manufacturer type/order no.	technical data	
	1.000 L0751781 shield	EF103.1 ELAN	d:18.9mm	
	1.000 L0840999 contact element	E-KB-9.1 ELAN	22.5;230VAC;10A	
	1.000 L0751782	EF103.2		
-5A1-S14 +DT15	switch/knob button 1.000 L0751825	ELAN EDS13-0270625	22.5	
	contact element 1.000 L0751781	ELAN EF103.1	22.5;230VAC;10A	
	shield 1.000 L0852361	BRAUNE -	d:22.5mm	
-5A1-S15 +DT15	contact element 1.000 L0751781	ELAN EF103.1	22.5;230VAC;10A	
	switch/knob button 1.000 L0751805	ELAN EDT KB	22.5	
	shield 1.000 L0840999	ELAN E-KB-9.1	d:18.9mm	
-5A1-S16 +DT15	contact element 1.000 L0751738	ELAN EF110.1	22.5;400VAC;6A	
	switch/knob button 1.000 L0751779	ELAN EDR35ROTKB	22.5	
-5A1-S18 +DT15	switch/knob button 1.000 L0751805	ELAN EDT KB	22.5	
	contact element 1.000 L0751781	ELAN EF103.1	22.5;230VAC;10A	
	shield 1.000 L0840999	ELAN E-KB-9.1	d:18.9mm	
-10B1 +G	proximity switch 1.000 L0752914	IFM ELECTRONIC IN-5016-X8901	0-4mm;10-55V;DC;NPN;2kHz	
-10B4 +G	magnetic switch 1.000 L0752980	BALLUFF BMF 32M-NS-C2-S49	10-30VDC;0.02kHz	
-10B5 +G	photosensor 1.000 L0053392	WENGLOR SENSORIC HW11PC3	35- 100;10-30VDC;0.6kHz	
	cable w.plug/socket 1.000 L0752938	BALLUFF BKS-S19-3PU-10	4x0.25mm <sup>2</sup> ;10m 35 to 100 mm	
-10K1 +E3S	timing unit 1.000 L0052328	BALLUFF BES516-IV2	UB=UE=UA=10...30VDC, IA:<=130MA ;17.5mm*90mm*58mm	
-10X1 +G	adapter/plug eleme 1.000 L0851090	MURRELEKTRONIK MVSS-AS-276208	Un:24V;In:2 (50VA)A;Ans:8+1	
	plug/socket 8.000 L0752977	MURRELEKTRONIK 27625	5pol.;250V;3A;0.75mm <sup>2</sup>	
-10Y1 +G	solenoid valve 1.000 L0059114	FESTO MSFG-24-OD-34411	24VUC,4.5W,ED:100%,IP65	
-15B1 +G	proximity switch 1.000 L0752895	IFM ELECTRONIC IS-3002-BPOG+AS-510T	0-2mm;10-36V;DC;PNP;0.8kHz	
-15B2 +G	proximity switch 1.000 L0752895	IFM ELECTRONIC IS-3002-BPOG+AS-510T	0-2mm;10-36V;DC;PNP;0.8kHz	
-15X1 +G	adapter/plug eleme 1.000 L0851090	MURRELEKTRONIK MVSS-AS-276208	Un:24V;In:2 (50VA)A;Ans:8+1	
	plug/socket 8.000 L0752977	MURRELEKTRONIK 27625	5pol.;250V;3A;0.75mm <sup>2</sup>	
-16B1 +G	photosensor 1.000 L0053396	WENGLOR SENSORIC HD11VC3	35- 100;10-30VDC;0.6kHz	
-16S1 +G	accessory/special 1.000 L0752807	HONEYWELL 5PA-PG9-1	PG9,53.5*24.5*21MM	
	limit/posit.switch 1.000 L0752804	HONEYWELL BZ-2RW 855-A2	380VAC;15A	
-16S2	accessory/special	HONEYWELL	PG9,53.5*24.5*21MM	

filter: (not ("I"\$GERAET) and (SYMBOLTYP<>"7") and (SYMBOLTYP< (C) De La Rue Giori S.A.

EQUIPMENT LIST		machine number: 621007un		high item designation: =G
item inst.place	designation quantity part.no.	manufacturer type/order no.	technical data	
+G	1.000 L0752807 limit/posit.switch	5PA-PG9-1 HONEYWELL	380VAC;15A	
	1.000 L0752804	BZ-2RW 855-A2		
-16X1 +G	adapter/plug eleme 1.000 L0851090 plug/socket 8.000 L0752977	MURRELEKTRONIK MVSS-AS-276208 MURRELEKTRONIK 27625	Un:24V;In:2	(50VA)A;Ans:8+1
			5pol.;250V;3A;0.75mm2	
-20S1 +G	accessory/special 1.000 L0752807 limit/posit.switch 1.000 L0752801	HONEYWELL 5PA-PG9-1 HONEYWELL BZ-2RW 82255-A2	PG9,53.5*24.5*21MM 380VAC;15A	
-20S2 +G	accessory/special 1.000 L0752807 limit/posit.switch 1.000 L0752801	HONEYWELL 5PA-PG9-1 HONEYWELL BZ-2RW 82255-A2	PG9,53.5*24.5*21MM 380VAC;15A	
-25B1 +G	photosensor 1.000 L0053467	DATALOGIC TL80-021L	103573	28;10-30VDC;PNP;3kHz
-25B2 +G	photosensor 1.000 L0053392	WENGLOR SENSORIC HW11PC3	35- 100;10-30VDC;0.6kHz	
-25K1 +E3S	timing unit 1.000 L0052328	BALLUFF BES516-IV2	UB=UE=UA=10...30VDC, IA:<=130MA ;17.5mm*90mm*58mm	
-35B1 +G	magnetic switch 1.000 L0752980	BALLUFF BMF 32M-NS-C2-S49	10-30VDC;0.02kHz	
-35B2 +G	magnetic switch 1.000 L0752980	BALLUFF BMF 32M-NS-C2-S49	10-30VDC;0.02kHz	
-35B3 +G	magnetic switch 1.000 L0752980	BALLUFF BMF 32M-NS-C2-S49	10-30VDC;0.02kHz	
-35B4 +G	magnetic switch 1.000 L0752980	BALLUFF BMF 32M-NS-C2-S49	10-30VDC;0.02kHz	
-35B5 +G	magnetic switch 1.000 L0752980	BALLUFF BMF 32M-NS-C2-S49	10-30VDC;0.02kHz	
-35X1 +G	adapter/plug eleme 1.000 L0725322 plug/socket 4.000 L0752978	MURRELEKTRONIK MVSS-J-276047 MURRELEKTRONIK 27635	Un:24V;In:2	(50VA)A;Ans:4+1
			5pol.;250V;3A;0.75mm2;M12	
-35X2 +G	adapter/plug eleme 1.000 L0725322 plug/socket 4.000 L0752978	MURRELEKTRONIK MVSS-J-276047 MURRELEKTRONIK 27635	Un:24V;In:2	(50VA)A;Ans:4+1
			5pol.;250V;3A;0.75mm2;M12	
-40B1 +G	magnetic switch 1.000 L0752980	BALLUFF BMF 32M-NS-C2-S49	10-30VDC;0.02kHz	
-40B2 +G	magnetic switch 1.000 L0752980	BALLUFF BMF 32M-NS-C2-S49	10-30VDC;0.02kHz	
-40B3 +G	magnetic switch 1.000 L0752980	BALLUFF BMF 32M-NS-C2-S49	10-30VDC;0.02kHz	
-40B4 +G	magnetic switch 1.000 L0752980	BALLUFF BMF 32M-NS-C2-S49	10-30VDC;0.02kHz	
-40B5 +G	magnetic switch 1.000 L0752980	BALLUFF BMF 32M-NS-C2-S49	10-30VDC;0.02kHz	
-40B6 +G	photosensor 1.000 L0053396	WENGLOR SENSORIC HD11VC3	35- 100;10-30VDC;0.6kHz	
-40X1 +G	adapter/plug eleme 1.000 L0725322 plug/socket	MURRELEKTRONIK MVSS-J-276047 MURRELEKTRONIK	Un:24V;In:2	(50VA)A;Ans:4+1
			5pol.;250V;3A;0.75mm2;M12	

filter: (not ("I"\$GERAET) and (SYMBOLTYP<>"7") and (SYMBOLTYP< (C) De La Rue Giori S.A.

format: GLGBNH

desig: A233HANS

dated: 16.7.1997

page:32

next page:33

EQUIPMENT LIST		machine number: 621007un high item designation: =G		
item inst.place	designation quantity part.no.	manufacturer type/order no.	technical data	
	4.000 L0752978 27635			
-45X1 +G	adapter/plug eleme 1.000 L0851090 plug/socket 8.000 L0752977	MURRELEKTRONIK MVSS-AS-276208 MURRELEKTRONIK 27625	Un:24V;In:2 (50VA)A;Ans:8+1 5pol.;250V;3A;0.75mm2	
-45Y1 +G	solenoid valve 1.000 L0059114	FESTO MSFG-24-OD-34411	24VUC,4.5W,ED:100%,IP65	
-45Y2 +G	solenoid valve 1.000 L0059114	FESTO MSFG-24-OD-34411	24VUC,4.5W,ED:100%,IP65	
-45Y3 +G	solenoid valve 1.000 L0059114	FESTO MSFG-24-OD-34411	24VUC,4.5W,ED:100%,IP65	
-45Y4 +G	solenoid valve 1.000 L0059114	FESTO MSFG-24-OD-34411	24VUC,4.5W,ED:100%,IP65	
-45Y5 +G	solenoid valve 1.000 L0059114	FESTO MSFG-24-OD-34411	24VUC,4.5W,ED:100%,IP65	
-45Y6 +G	solenoid valve 1.000 L0059114	FESTO MSFG-24-OD-34411	24VUC,4.5W,ED:100%,IP65	
-45Y7 +G	solenoid valve 1.000 L0059114	FESTO MSFG-24-OD-34411	24VUC,4.5W,ED:100%,IP65	
-45Y8 +G	solenoid valve 1.000 L0059114	FESTO MSFG-24-OD-34411	24VUC,4.5W,ED:100%,IP65	
-46X1 +G	adapter/plug eleme 1.000 L0851090 plug/socket 8.000 L0752977	MURRELEKTRONIK MVSS-AS-276208 MURRELEKTRONIK 27625	Un:24V;In:2 (50VA)A;Ans:8+1 5pol.;250V;3A;0.75mm2	
-46Y1 +G	solenoid valve 1.000 L0059114	FESTO MSFG-24-OD-34411	24VUC,4.5W,ED:100%,IP65	
-46Y2 +G	solenoid valve 1.000 L0059114	FESTO MSFG-24-OD-34411	24VUC,4.5W,ED:100%,IP65	
-46Y3 +G	solenoid valve 1.000 L0059114	FESTO MSFG-24-OD-34411	24VUC,4.5W,ED:100%,IP65	
-46Y4 +G	solenoid valve 1.000 L0059114	FESTO MSFG-24-OD-34411	24VUC,4.5W,ED:100%,IP65	
-46Y5 +G	solenoid valve 1.000 L0059114	FESTO MSFG-24-OD-34411	24VUC,4.5W,ED:100%,IP65	
-46Y6 +G	solenoid valve 1.000 L0059114	FESTO MSFG-24-OD-34411	24VUC,4.5W,ED:100%,IP65	
-46Y7 +G	solenoid valve 1.000 L0059114	FESTO MSFG-24-OD-34411	24VUC,4.5W,ED:100%,IP65	
-46Y8 +G	solenoid valve 1.000 L0059114	FESTO MSFG-24-OD-34411	24VUC,4.5W,ED:100%,IP65	
-47X1 +G	adapter/plug eleme 1.000 L0851090 plug/socket 6.000 L0752977 cable seal 2.000 L0752976	MURRELEKTRONIK MVSS-AS-276208 MURRELEKTRONIK 27625 MURRELEKTRONIK MVS	Un:24V;In:2 (50VA)A;Ans:8+1 5pol.;250V;3A;0.75mm2 M12	
-47Y1 +G	solenoid valve 1.000 L0059114	FESTO MSFG-24-OD-34411	24VUC,4.5W,ED:100%,IP65	
-47Y2 +G	solenoid valve 1.000 L0059114	FESTO MSFG-24-OD-34411	24VUC,4.5W,ED:100%,IP65	
-47Y3	solenoid valve	FESTO	24VUC,4.5W,ED:100%,IP65	
filter: (not ("I"\$GERAET) and (SYMBOLTYP<>"7") and (SYMBOLTYP<			(C) De La Rue Giori S.A.	
format: GLGBNH	desig: A233HANS	dated: 16.7.1997	page:33	next page:34

EQUIPMENT LIST		machine number: 621007un high item designation: =G		
item	designation	manufacturer	technical data	
inst.place	quantity part.no.	type/order no.		
+G	1.000 L0059114	MSFG-24-OD-34411		
-47Y4	solenoid valve	FESTO	24VUC, 4.5W, ED:100%, IP65	
+G	1.000 L0059114	MSFG-24-OD-34411		
-50Y1	solenoid valve	FESTO	24VUC, 4.5W, ED:100%, IP65	
+G	2.000 L0059114	MSFG-24-OD-34411		
-50Y3	solenoid valve	FESTO	24VUC, 4.5W, ED:100%, IP65	
+G	1.000 L0059114	MSFG-24-OD-34411		
-55B1	shaft encoder	HENGSTLER	360S/U;GRAY-EX-Code;10-30V;DC;	
+G	1.000 L0053773	RA58-S/0360EK.32KDPG	NPN	
	cable w.plug/socke	HENGSTLER	10/2x0.14/0.5mm <sup>2</sup> ;30m	
	1.000 L0756416	1540122		
-55D1	cpu/memory/funct.u	BDT	PROC.T300;64 CHANNELS, FOR L00	
+E4SD	1.000 L0056076	35TP90	56178	
-55P1	digital display	BDT	Dis:LCD;Ub:24V;Awert:9999;In:B	
+E4SD	1.000 L0056075	84-240	CD-CODE	
-60A1				
+DT7	1.000 L0066228			
-60A1-H17	signal lamp/holder	ELAN	24V;UC;2W;BA9S	
+DT7	1.000 L0751777	EMLH ROT		
	signal lamp/holder	ELAN	250V;UC;BA9S	
	1.000 L0751784	EL 0280190		
	bulb/led	BARTHELME	BA9S;30V;2W	
	1.000 L0752327	KRI/23		
-60A1-S11	switch/knob button	ELAN	22.5	
+DT7	1.000 L0751719	EDRR40RT+EFR		
	shield	ELAN	d:22.5mm	
	1.000 L0751767	MDP-8		
	contact element	ELAN	22.5;400VAC;4A	
	1.000 L0751742	EF220.1		
-60A1-S12	switch/knob button	ELAN	22.5	
+DT7	1.000 L0751805	EDT KB		
	contact element	ELAN	22.5;230VAC;10A	
	1.000 L0751781	EF103.1		
	shield	ELAN	d:18.9mm	
	1.000 L0840999	E-KB-9.1		
-60A1-S13	switch/knob button	ELAN	22.5	
+DT7	1.000 L0751705	EWS21,1KB 2STELLIG		
	contact element	ELAN	22.5;230VAC;10A	
	1.000 L0751781	EF103.1		
	shield	ELAN	d:18.9mm	
	1.000 L0840999	E-KB-9.1		
-60A1-S14	switch/knob button	ELAN	22.5	
+DT7	1.000 L0751824	EDS14-0270630		
	contact element	ELAN	22.5;230VAC;10A	
	1.000 L0751781	EF103.1		
-60A1-S15	switch/knob button	ELAN	22.5	
+DT7	1.000 L0751805	EDT KB		
	contact element	ELAN	22.5;230VAC;10A	
	1.000 L0751781	EF103.1		
	shield	ELAN	d:18.9mm	
	1.000 L0840999	E-KB-9.1		
-60A1-S16	contact element	ELAN	22.5;400VAC;6A	
+DT7	1.000 L0751738	EF110.1		
	switch/knob button	ELAN	22.5	
	1.000 L0751779	EDR35ROTKB		
-60A1-S18	switch/knob button	ELAN	22.5	
+DT7	1.000 L0751805	EDT KB		
	contact element	ELAN	22.5;230VAC;10A	
	1.000 L0751781	EF103.1		

filter: (not ("I"\$GERAET)and(SYMBOLTYP<>"7")and(SYMBOLTYP< (C) De La Rue Giori S.A.

format: GLGBNH

desig: A233HANS

dated: 16.7.1997

page:34

next page:35

EQUIPMENT LIST		machine number: 621007un high item designation: =G		
item inst.place	designation quantity part.no.	manufacturer type/order no.	technical data	
	shield 1.000 L0840999	ELAN E-KB-9.1	d:18.9mm	
-70A1 +DT8	1.000 L0066229			
-70A1-H17 +DT8	signal lamp/holder 1.000 L0751777	ELAN EMLH ROT	24V;UC;2W;BA9S	
	signal lamp/holder 1.000 L0751784	ELAN EL 0280190	250V;UC;BA9S	
	bulb/led 1.000 L0752327	BARTHELME KRI/23	BA9S;30V;2W	
-70A1-S11 +DT8	switch/knob button 1.000 L0751719	ELAN EDRR40RT+EFR	22.5	
	shield 1.000 L0751767	ELAN MDP-8	d:22.5mm	
	contact element 1.000 L0751742	ELAN EF220.1	22.5;400VAC;4A	
-70A1-S12 +DT8	switch/knob button 1.000 L0751805	ELAN EDT KB	22.5	
	contact element 1.000 L0751781	ELAN EF103.1	22.5;230VAC;10A	
	shield 1.000 L0840999	ELAN E-KB-9.1	d:18.9mm	
-70A1-S15 +DT8	switch/knob button 1.000 L0751805	ELAN EDT KB	22.5	
	contact element 1.000 L0751781	ELAN EF103.1	22.5;230VAC;10A	
	shield 1.000 L0840999	ELAN E-KB-9.1	d:18.9mm	
-70A1-S16 +DT8	contact element 1.000 L0751738	ELAN EF110.1	22.5;400VAC;6A	
	switch/knob button 1.000 L0751779	ELAN EDR35ROTKB	22.5	
-70A1-S18 +DT8	switch/knob button 1.000 L0751805	ELAN EDT KB	22.5	
	contact element 1.000 L0751781	ELAN EF103.1	22.5;230VAC;10A	
	shield 1.000 L0840999	ELAN E-KB-9.1	d:18.9mm	
-100F1 +E1S	prot.motor switch 1.000 L0057715	KLOECKNER-MOELLER PKZM1-1,6	1-1.6A;690V	
	accessory/special 1.000 L0057723	KLOECKNER-MOELLER NHI11-PKZM1	UE:500V,AMAX.6,1S10,AQ:2.5	
-100F2 +E1S	filter 1.000 L0052874	MURRELEKTRONIK VG-BC6/24	1ph;24VAC24VDC	
-100K1 +E1S	contactor/relay 1.000 L0052022	ABB BC7-30-01	Ub:19-26V;DC;Phal:3.5VA;S-el:3 H10;Us:500V;Ps:440V/5.5KW	
-100M1 +G	pump unit 1.000 L0053311	VOGEL 143012153/WAC71N4	400V;50/60Hz;1.1A;0.37kW;150l/h	
-100S1 +G	pressure switch 1.000 L0778610	VOGEL P66S012M	12bar;250V;250VA	
-100V1 +E3S	solid state relay 1.000 L0056085	BDT 84-270	Ub:24Vf:DCHz;Us:24VIs:4A	
-100Y1 +G	magnet 1.000 L0059010	THOMA MAGNETTECHNIK GHB709301B2100	24VDC;1.37A;15;25N	
-102B1 +G	shaft encoder 1.000 L0053773	HENGSTLER RA58-S/0360EK.32KDPG	360S/U;GRAY-EX-Code;10-30V;DC; NPN	
	cable w.plug/socke 1.000 L0756416	HENGSTLER 1540122	10/2x0.14/0.5mm2;30m	

filter: (not ("I"\$GERAET) and (SYMBOLTYP<>"7") and (SYMBOLTYP< (C) De La Rue Giori S.A.

format: GLGBNH

desig: A233HANS

dated: 16.7.1997

page:35

next page:36

EQUIPMENT LIST machine number: 621007un high item designation: =G

item	designation	manufacturer	technical data
inst.place	quantity	part.no.	type/order no.
-102D1 +E4SD	cpu/memory/funct.u 1.000 L0056076	BDT 35TP90	PROC.T300;64 CHANNELS, FOR L00 56178
*-102P1 +E4SD	digital display 1.000 L0056075	BDT 84-240	Dis:LCD;Ub:24V;Awert:9999;In:B CD-CODE

filter: (not ("I"\$GERAET) and (SYMBOLTYP<>"7") and (SYMBOLTYP< (C) De La Rue Giori S.A.  
format: GLGBNH desig: A233HANS dated: 16.7.1997 page:36 next page:37

EQUIPMENT LIST		machine number: 621007un		high item designation: =H
item inst.place	designation quantity part.no.	manufacturer type/order no.	technical data	
-1F1 +E1S	prot.motor switch 1.000 L0057722 accessory/special 1.000 L0057723	KLOECKNER-MOELLER PKZM1-25 KLOECKNER-MOELLER NH111-PKZM1	20-25A;690V UE:500V,AMAX.6,1S10,AQ:2.5	
-1F2 +E1S	fuse cartridge 3.000 L0755480 accessory/special 1.000 L0754167 screwed cap 3.000 L0754610 fuse insert 3.000 L0754780 fuse holder 1.000 L0754166	FEGA GMBH DIN49515-DIIIGL* 35* RITTAL SV3434 D. BORDT GMBH DIN49514-DIII-500 MAINLAND GMBH DIN49516-DIII*35 RITTAL SV3433	DIII;T35A;500V E33,57*230*5MM,F.SV3433 E33;63A;500V E33;35A E33;3pol;63A;660V	
-1F3 +E1S	filter 1.000 L0052873	MURRELEKTRONIK LG-B30	1ph;24VDC10A;0.24kW	
-1F4 +E1S	filter 1.000 L0052873	MURRELEKTRONIK LG-B30	1ph;24VDC10A;0.24kW	
-1F5 +E1S	filter 1.000 L0052873	MURRELEKTRONIK LG-B30	1ph;24VDC10A;0.24kW	
-1K1 +E1S	contactor/relay 1.000 L0052011	ABB BC18-30-22	Ub:24V;DC;Phal:7VA;S-el:3H2S20 ;Us:415V;Ps:400V/16A	
-1K2 +E1S	contactor/relay 1.000 L0052011	ABB BC18-30-22	Ub:24V;DC;Phal:7VA;S-el:3H2S20 ;Us:415V;Ps:400V/16A	
-1K3 +E1S	contactor/relay 1.000 L0052011	ABB BC18-30-22	Ub:24V;DC;Phal:7VA;S-el:3H2S20 ;Us:415V;Ps:400V/16A	
-1M1 +H	1.000 L-415V			
-5F1 +E1S	prot.motor switch 1.000 L0057715 accessory/special 1.000 L0057723	KLOECKNER-MOELLER PKZM1-1,6 KLOECKNER-MOELLER NH111-PKZM1	1-1.6A;690V UE:500V,AMAX.6,1S10,AQ:2.5	
-5F2 +E1S	fuse cartridge 1.000 L0755470 accessory/special 1.000 L0754157 screwed cap 3.000 L0754600 fuse insert 3.000 L0754770 fuse holder 1.000 L0754156	MAINLAND GMBH DIN49515-DIIGL* 25* RITTAL SV3428 FEGA GMBH DIN49514-DII-500 DITHA GMBH DIN49516-DII*25 RITTAL SV3427	DII;T25A;500V E27,3POL,42*230MM,F.SV3427 E27;25A;500V E27;25A E27;3pol;25A;500V	
-5F3 +E1S	filter 1.000 L0052874	MURRELEKTRONIK VG-BC6/24	1ph;24VAC24VDC	
-5K1 +E1S	contactor/relay 1.000 L0052022	ABB BC7-30-01	Ub:19-26V;DC;Phal:3.5VA;S-el:3 H10;Us:500V;Ps:440V/5.5KW	
-5M1 +H	1.000 L-415V			
*-10S1 +H	<i>Press. switch</i> 1.000 L6645950			
-10S2 +H	<i>  </i> 1.000 L6645950			
-10S3 +H	<i>  </i> 1.000 L6645950			
-10S4 +H	<i>Press. sw.</i> 1.000 L6629020			

filter: (not ("I"\$GERAET) and (SYMBOLTYP<>"7") and (SYMBOLTYP< (C) De La Rue Giori S.A.

format: GLGBNH

desig: A233HANS

dated: 16.7.1997

page:37

next page:38



item	designation	manufacturer	technical data
inst.place	quantity part.no.	type/order no.	

* -10S5 +H	Sensor switch 1.000 L6645880		
---------------	---------------------------------	--	--

-10S6 +H	Temp. 40°C 1.000 L6645880		
-------------	------------------------------	--	--

-10S7 +H	Temp 70°C 1.000 L6645880		
-------------	-----------------------------	--	--

-10S8 +H	oil level switch 1.000 L6645890		
-------------	------------------------------------	--	--

-10X1 +H	adapter/plug eleme 1.000 L0851090 plug/socket 8.000 L0752978	MURRELEKTRONIK MVSS-AS-276208 MURRELEKTRONIK 27635	Un:24V; In:2 (50VA) A; Ans:8+1 5pol.; 250V; 3A; 0.75mm2; M12
-------------	---	---	---

-15K1 +E4S	contactor/relay 1.000 L0052532 accessory/special 1.000 L0720852	SCHRACK MT221024-25651111 KARL LUMBERG 108 PGS	Ub:20-34V; DC; Phal:1.2VA; S-el:2 W; Us:250V; Ps:250V/10A 8POL., 38*67*26MM
---------------	--	---	---

* -15N1 +E4S	1.000 in 15Y1		
-----------------	---------------	--	--

-15Y1 +H	1.000 L6645930		
-------------	----------------	--	--

विद्युत विभाग  
ELECTRICAL DEPTT.  
मुद्रण संस्था  
CURRENCY NOTE PRESS.

EQUIPMENT LIST		machine number: 621007un high item designation: =K		
item inst.place	designation quantity part.no.	manufacturer type/order no.	technical data	
-10A1 +DT10A	1.000 L0066500			
-10A1-S11 +DT10A	switch/knob button 1.000 L0751719 shield 1.000 L0751767 contact element 1.000 L0751742	ELAN EDRR40RT+EFR ELAN MDP-8 ELAN EF220.1	22.5 d:22.5mm 22.5;400VAC;4A	
-11D1 +K1S	cpu/memory/funct.u 1.000 L0055976	ABB 07KT93R161	ARC./CS31;24VDC,ARCNET,24/16BIN. IN-/OUTPUT	
-11R7 +K1S	resistor 1.000 L0058243	SPOERLE PR01	120Ohm5%;1W	
-12D1 +K1S	in-/output unit 1.000 L0055977	ABB ICDG32L1	CS31;16IN-,8OUT-PUTS,0.5A,8I/O	
-13D1 +K2S	in-/output unit 1.000 L0055977	ABB ICDG32L1	CS31;16IN-,8OUT-PUTS,0.5A,8I/O	
-13R7 +K2S	resistor 1.000 L0058243	SPOERLE PR01	120Ohm5%;1W	
-14D1 +K1S	<i>Analog</i> in-/output unit 1.000 L0055973 rack 1.000 L0055970	ABB ICSM 06 A6 ABB ECZ	CS31;24VDC,4*ANA.INPUT,2*ANA.O U PUT CS31;122.5mm*60.0mm*30.0mm	
-21S1 +K1	1.000 K106914		<i>Guard transfer in</i>	
-21S2 +K1	1.000 K104668		<i>transfer in start position reached</i>	
-21S3 +K1	1.000 K104668		<i>transfer in end position reached</i>	
-21S4 +K1	1.000 K104668		<i>transfer in to brake</i>	
-21Y5 +K1	1.000 K102852			
-21Y6 +K1	1.000 K102852			
-21Y7 +K1	1.000 K102852			
-22Y3 +K1	1.000 K102908			
-24A1-22S2 +K1K	1.000 K111211			
-24A1-H14 +K1K	1.000 K110931			
-24A1-H16 +K1K	1.000 K111215			
-24A1-H18 +K1K	1.000 K111216			
-24A1-H22 +K1K	1.000 K111215			
-24A1-H27 +K1K	1.000 K111215			
-24A1-S11 +K1K	1.000 K110915			
filter: (not ("I"\$GERAET) and (SYMBOLTYP<>"7") and (SYMBOLTYP<			(C) De La Rue Giori S.A.	
format: GLGBNH	desig: A233HANS	dated: 16.7.1997	page:39	next page:40

EQUIPMENT LIST		machine number: 621007un high item designation: =K		
item	designation	manufacturer	technical data	
inst.place	quantity part.no.	type/order no.		
-24A1-S12 +K1K	1.000 K110913			
-24A1-S13 +K1K	1.000 K110935			
-24A1-S17 +K1K	1.000 K111211			
-24A1-S21 +K1K	1.000 K110917			
-24A1-S23 +K1K	1.000 K111320			
-24A1-S24 +K1K	1.000 K110911	<i>Push button sw 3</i>		
-24A1-S25 +K1K	1.000 K110911			
-24A1-S26 +K1K	1.000 K110917			
* -24E1 +K1S	1.000 K102949		<i>Heater sealing bar</i>	
-24F2 +K1S	1.000 K107811			
-24K4 +K1S	1.000 L0052021	ABB BC7-30-10	Ub:19-26V;DC;Phal:3.5VA;S-el:3 H1S;Us:500V;Ps:440V/5.5KW	
* -24R6 +K1	1.000 K000000	<i>Sensor for =K24V7</i>		
-24T2 +K1S	1.000 K111317			
* -24U7 +K1S	1.000 K110938	<i>PHOENIX PT100/2/1-0/300</i>	<i>I to e converter</i>	
-24V2 +K1S	1.000 L0052545	solid state relay THERMONIE RSDA-560-30-3D2	Ub:20-30Vf:DCHz;Us:560Vfs:0.06 kHz;Is:30A	
-27B2 +K1	1.000 K111167	<i>Photo sensor</i>		
-27B3 +K1	1.000 K111166			
-27K1 +K1S	1.000 L0052532	contactor/relay SCHRACK MT221024-25651111	Ub:20-34V;DC;Phal:1.2VA;S-el:2 W;Us:250V;Ps:250V/10A	
	1.000 L0720852	accessory/special KARL LUMBERG 108 PGS	8POL., 38*67*26MM	
-27K2 +K1S	1.000 L0052532	contactor/relay SCHRACK MT221024-25651111	Ub:20-34V;DC;Phal:1.2VA;S-el:2 W;Us:250V;Ps:250V/10A	
	1.000 L0720852	accessory/special KARL LUMBERG 108 PGS	8POL., 38*67*26MM	
-27S1 +K1	1.000 K111752	<i>Magnetic switch</i>		
-27S4 +K1	1.000 K111752	<i>Mag. sw.</i>	<i>welding stamper bottom</i>	
-27S5 +K1	1.000 K111752	<i>Mag. sw.</i>	<i>welding stamper top</i>	
-27S6 +K1	1.000 K104668	<i>limit sw.</i>	<i>welding stamper off</i>	
-27Y6				

## EQUIPMENT LIST

machine number: 621007un high item designation: =K

item inst.place	designation quantity part.no.	manufacturer type/order no.	technical data
+K1	1.000 K102852		
-27Y7 +K1	1.000 K102852		
-30E1 +K1S	1.000 K343277		
-30F2 +K1S	1.000 K107811		
-30K4 +K1S	contactor/relay 1.000 L0052021	ABB BC7-30-10	Ub:19-26V;DC;Phal:3.5VA;S-el:3 H1S;Us:500V;Ps:440V/5.5KW
-30R7 +K1	1.000 K000000		Thermo element type K Nicr-Cr.
-30T2 +K1S	Transformer 1.000 K111317		
*-30U7 +K1S	Sensor 1.000 K110939	Temp. measuring. Make: PHOENIX CONTACT Typ: MCR-TE/K/I-0/1000/E	SIGNAL CONVERTOR
-30V2 +K1S	static relay 1.000 K111996		
-33B3 +K1	Photosensor 1.000 K111167		
-33B4 +K1	Photosensor 1.000 K111166		
-33K3 +K1S	contactor/relay 1.000 L0052021	ABB BC7-30-10	Ub:19-26V;DC;Phal:3.5VA;S-el:3 H1S;Us:500V;Ps:440V/5.5KW
✓-33M1 +K1	Motor 1.000 K102226	cooling blower lengthwise of AC, sealing	
-33Y5 +K1	1.000 K102852		
-33Y6 +K1	1.000 K102852		
-36B6 +K1	Prox. sw. 1.000 K110387		
-36F2 +K1S	1.000 K107811		
-36K5 +K1S	contactor/relay 1.000 L0052021	ABB BC7-30-10	Ub:19-26V;DC;Phal:3.5VA;S-el:3 H1S;Us:500V;Ps:440V/5.5KW
*-36M3 +K1 (98 M.A.1)	packjet film motor for plastic film 1.000 K103924	WEG	220-245V, 1.1A, 50Hz, 2700RPM, 0.12 KW, cosφ=0.98 1φ A.C., IP54, Isol KI-B
-36N2 +K1S	drive packjet film motor 1.000 K103924		
-36R1 +K1	Potentiometer 1.000 K102199		
-36S6 +K1	limit switch 1.000 K100980		
-39B6 +K1	Photosensor 1.000 K111167		
-39B7 +K1	Photo sensor 1.000 K111166		
-39F2			

filter: (not ("I"\$GERAET) and (SYMBOLTYP&lt;&gt;"7") and (SYMBOLTYP&lt; (C) De La Rue Giori S.A.

format: GLGBNH

desig: A233HANS

dated: 16.7.1997

page:41

next page:42

EQUIPMENT LIST		machine number: 621007un high item designation: =K		
item	designation	manufacturer	technical data	
inst.place	quantity part.no.	type/order no.		
+K1S	1.000 K107811			
-39K5	contactor/relay	ABB	Ub:19-26V;DC;Phal:3.5VA;S-el:3	
+K1S	1.000 L0052022	BC7-30-01	H10;Us:500V;Ps:440V/5.5KW	
-39K6	contactor/relay	ABB	Ub:19-26V;DC;Phal:3.5VA;S-el:3	
+K1S	1.000 L0052022	BC7-30-01	H10;Us:500V;Ps:440V/5.5KW	
-39M3	<i>Packjet 1000 conveyor delivery</i>			
+K1	1.000 K103924	<i>motor</i>	<i>"Same as =K-36M3"</i>	
(98M61)	1.000 K101131			
-39N2	<i>Doire conveyor delivery</i>			
+K1S	1.000 K103924			
-39R1				
+K1	1.000 K103920			
-61A1-61E1	<i>Heater shrink tunnel</i>			
+K2	1.000 K101109			
-61A1-61E2				
+K2	1.000 K101109			
-61A1-61E3				
+K2	1.000 K101109			
-61A2-61E4				
+K2	1.000 K101109			
-61A2-61E5				
+K2	1.000 K101109			
-61A2-61E6				
+K2	1.000 K101109			
-61A3-61E7				
+K2	1.000 K101109			
-61A3-61E8				
+K2	1.000 K101109			
-61A3-61E9				
+K2	1.000 K101109			
-61F2	<i>Prot. switch/overload</i>			
+K2S	1.000 K106747			
	1.000 K104278			
-61F3	<i>—</i>			
+K2S	1.000 K106747			
	1.000 K104278			
-61F4	<i>—</i>			
+K2S	1.000 K106747			
	1.000 K104278			
-61K4	<i>Contacting/Relay</i>			
+K2S	1.000 K110908	BC16		
-61M1	blower/ventilator	NMB-MINEBEA	51cbm/h;1.92W;24V DC;0.08A;245	
+K2S	1.000 L0053274	3110RIB TYPE	0min-1	
	accessory/special	DYNAREP	D= 80	
	2.000 L0053306	3100		
-61V2	<i>Static relay</i>			
+K2S	1.000 K111996			
-61V5	solid state relay	BDT	Ub:24Vf:DChz;Us:24VIs:4A	
+K2S	1.000 L0056085	84-270		

filter: (not ("I"\$GERAET) and (SYMBOLTYP<>"7") and (SYMBOLTYP< (C) De La Rue Giori S.A.

format: GLGBNH

desig: A233HANS

dated: 16.7.1997

page:42

next page:43

*fan for static relay*

EQUIPMENT LIST		machine number: 621007un high item designation: =K		
item inst.place	designation quantity	part no.	manufacturer type/order no.	technical data
-61Z1 +K2S	filter 1.000	L0052876	MURRELEKTRONIK HRC3	3ph;400VAC50/60Hz;20kW;0.1kOhm 23009 /1uF
-62A1 +K2K	1.000	L0066500		
-62A1-H11 +K2K	1.000	K110931		
-62A1-H12 +K2K	1.000	K110931		
-62A1-H16 +K2K	1.000	K110931		
-62A1-S13 +K2K	1.000	K110917		
-62A1-S14 +K2K	1.000	K110915		
-62A1-S15 +K2K	1.000	K110913		
-62R6 +K2	1.000	K101158		
* -62U7 +K2S	temp measuring shrink tunnel. 1.000	K110938	PT100/2/R-0-300	
-64F2 +K2S	1.000	K107809		
-64K4 +K2S	contactor/relay 1.000	L0052022	ABB BC7-30-01	Ub:19-26V;DC;Phal:3.5VA;S-el:3 H10;Us:500V;Ps:440V/5.5KW
-64K5 +K2S	contactor/relay 1.000	L0052022	ABB BC7-30-01	Ub:19-26V;DC;Phal:3.5VA;S-el:3 H10;Us:500V;Ps:440V/5.5KW
-64M2 +K2	shrink tunnel blower 1.000	K105596		3ø AC
-64M3 +K2	cooling blower 1.000	K102228		1ø AC
-64Z2 +K2S	filter 1.000	L0052872	MURRELEKTRONIK HRC3/022-500	3ph;400 +10% MAXVAC50-60Hz;4k W;0.022kOhm/0.22uF
-67B5 +K2	Photo sensors 1.000	K111167		
-67B6 +K2	Photo sensors 1.000	K111166		
-67F2 +K2S	Prof mot sw. 1.000	K107808		
-67H6 +K2	1.000	K105839		
-67K4 +K2S	contactor/relay 1.000	L0052022	ABB BC7-30-01	Ub:19-26V;DC;Phal:3.5VA;S-el:3 H10;Us:500V;Ps:440V/5.5KW
* -67M2 +K2	shrink tunnel conveyor motor 1.000	K102170		185 W, DC, WEG, Type- KGA 223
-67N2 +K2S	static relay 1.000	K107428		
-67V6 +K2S	solid state relay 1.000	L0056085	BDT 84-270	Ub:24Vf:DCHz;Us:24VIs:4A
-70B3 +K2	Photo sensor 1.000	K111167		

filter: (not ("I"\$GERAET) and (SYMBOLTYP<>"7") and (SYMBOLTYP< (C) De La Rue Giori S.A.

format: GLGBNH

desig: A233HANS

dated: 16.7.1997

page:43

next page:44

EQUIPMENT LIST machine number: 621007un high item designation: =K

item	designation	manufacturer	technical data
inst.place	quantity	part.no.	type/order no.
-70B4 +K2	1.000	Photosensoꝛ K111166	
-70S6 +K2	1.000	limit sw. K108516	SCHMERSAL AZ163VY
-70Y5 +K2	1.000	K102852	

EQUIPMENT LIST		machine number: 621007un high item designation: =N		
item inst.place	designation quantity part.no.	manufacturer type/order no.	technical data	
-1A1 +N1X	terminal box/split 1.000 L0850165	ROSE ELEKTROTECHNIK 10.80806	75mm*80mm*52mm	
-1F1 +E2S	prot.motor switch 1.000 L0057719 accessory/special 1.000 L0057723	KLOECKNER-MOELLER PKZM1-10 KLOECKNER-MOELLER NHI11-PKZM1	6-10A;690V UE:500V,AMAX.6,1S10,AQ:2.5	
-1K1 +E1S	contactor/relay 1.000 L0052532 accessory/special 1.000 L0720852	SCHRACK MT221024-25651111 KARL LUMBERG 108 PGS	Ub:20-34V;DC;Phal:1.2VA;S-el:2 W;Us:250V;Ps:250V/10A 8POL.,38*67*26MM	
-1K2 +E1S	contactor/relay 1.000 L0052532 accessory/special 1.000 L0720852	SCHRACK MT221024-25651111 KARL LUMBERG 108 PGS	Ub:20-34V;DC;Phal:1.2VA;S-el:2 W;Us:250V;Ps:250V/10A 8POL.,38*67*26MM	
*-1M1 +N	motor AC 1.000 L0051552	BAUMUELLER DS56-M43R	3ph;181V+-10%50HZ,12.2A,2KW,40 00/MIN;4.8Nm	
*-1N1 +E2S	frequency converte 1.000 L0052923	BAUMUELLER BUM618	3ph;Ue:210-240V;f:50-60Hz;Ua:0 -230Vfa:50-60Hz;In:12A;P.mot:1	
-1T1 +E2S	transformer 1.000 L0052828	BAUMUELLER 19007161	3ph;P:2500VA;Upri:415Vf:50Hz;I pri:3.7A;Usek:230V;Isek:6.3A	
-3A1 +DT19	1.000 L0062463			
-3A1-S11 +DT19	switch/knob button 1.000 L0751727 contact element 1.000 L0751781 signal lamp/holder 1.000 L0751784 bulb/led 1.000 L0752338	ELAN EDL WS KB ELAN EF103.1 ELAN EL 0280190 BARTHELME KRL/23	22.5 22.5;230VAC;10A 250V;UC;BA9S BA9S;30V;2W	
-3A1-S12 +DT19	switch/knob button 1.000 L0751805 contact element 1.000 L0751781 shield 1.000 L0840999	ELAN EDT KB ELAN EF103.1 ELAN E-KB-9.1	22.5 22.5;230VAC;10A d:18.9mm	
-3F1 +E2S	filter 1.000 L0052874	MURRELEKTRONIK VG-BC6/24	1ph;24VAC24VDC	
-3K1 +E2S	contactor/relay 1.000 L0052021	ABB BC7-30-10	Ub:19-26V;DC;Phal:3.5VA;S-el:3 H1S;Us:500V;Ps:440V/5.5KW	
*-4D1 +E3S	edp/interface-acce 1.000 L0844084	ABB 07KP92R161	24VDC,12W,CS31-4*RS232/485	
-5B1 +N	proximity switch 1.000 L0752959	BALLUFF BES516-3019-S4C	0-3.2mm;10-30V;DC;PNP;0.4kHz	
-5B2 +N	proximity switch 1.000 L0752896	IFM ELECTRONIC IS-3002-APOG+AS-510T	0-2mm;10-36V;DC;PNP;0.8kHz	
-5B3 +N	proximity switch 1.000 L0752895	IFM ELECTRONIC IS-3002-BPOG+AS-510T	0-2mm;10-36V;DC;PNP;0.8kHz	
-5B5 +N	proximity switch 1.000 L0752895	IFM ELECTRONIC IS-3002-BPOG+AS-510T	0-2mm;10-36V;DC;PNP;0.8kHz	
-5X1 +N	adapter/plug eleme 1.000 L0851090 plug/socket 8.000 L0752977	MURRELEKTRONIK MVSS-AS-276208 MURRELEKTRONIK 27625	Un:24V;In:2 (50VA)A;Ans:8+1 5pol.;250V;3A;0.75mm2	
-5X2 +N	adapter/plug eleme 1.000 L0851090	MURRELEKTRONIK MVSS-AS-276208	Un:24V;In:2 (50VA)A;Ans:8+1	
filter: (not ("I"\$GERAET) and (SYMBOLTYP<>"7") and (SYMBOLTYP<			(C) De La Rue Giori S.A.	
format: GLGBNH	desig: A233HANS	dated: 16.7.1997	page:45	next page:46



EQUIPMENT LIST		machine number: 621007un high item designation: =N		
item inst.place	designation quantity part.no.	manufacturer type/order no.	technical data	
	plug/socket 8.000 L0752977	MURRELEKTRONIK 27625	5pol.;250V;3A;0.75mm2	
-10F1 +E1S	prot.motor switch 1.000 L0057715	KLOECKNER-MOELLER PKZM1-1,6	1-1.6A;690V	
	accessory/special 1.000 L0057723	KLOECKNER-MOELLER NHI11-PKZM1	UE:500V,AMAX.6,1S10,AQ:2.5	
-10F2 +E1S	filter 1.000 L0052874	MURRELEKTRONIK VG-BC6/24	1ph;24VAC24VDC	
-10F3 +E1S	filter 1.000 L0052874	MURRELEKTRONIK VG-BC6/24	1ph;24VAC24VDC	
-10K1 +E1S	contactor/relay 1.000 L0052021	ABB BC7-30-10	Ub:19-26V;DC;Phal:3.5VA;S-el:3	
	accessory/special 1.000 L0052025	ABB CAF 6-11M	H1S;Us:500V;Ps:440V/5.5KW 230VAC 4A 1S10	
-10K2 +E1S	contactor/relay 1.000 L0052021	ABB BC7-30-10	Ub:19-26V;DC;Phal:3.5VA;S-el:3	
	accessory/special 1.000 L0052025	ABB CAF 6-11M	H1S;Us:500V;Ps:440V/5.5KW 230VAC 4A 1S10	
-10K3 +E3S	contactor/relay 1.000 L0052532	SCHRACK MT221024-25651111	Ub:20-34V;DC;Phal:1.2VA;S-el:2	
	accessory/special 1.000 L0720852	KARL LUMBERG 108 PGS	W;Us:250V;Ps:250V/10A 8POL.,38*67*26MM	
-10K4 +E3S	contactor/relay 1.000 L0052532	SCHRACK MT221024-25651111	Ub:20-34V;DC;Phal:1.2VA;S-el:2	
	accessory/special 1.000 L0720852	KARL LUMBERG 108 PGS	W;Us:250V;Ps:250V/10A 8POL.,38*67*26MM	
* -10M1 +N	gear motor AC 1.000 L0051322	SEW EURODRIVE RX61DT71D4 BMG/HF	3ph;240/415V+/-10%,50HZ,1.2A,3 70W;15Nm;5.93:1	
-15F1 +E1S	prot.motor switch 1.000 L0057715	KLOECKNER-MOELLER PKZM1-1,6	1-1.6A;690V	
	accessory/special 1.000 L0057723	KLOECKNER-MOELLER NHI11-PKZM1	UE:500V,AMAX.6,1S10,AQ:2.5	
-15F2 +E1S	filter 1.000 L0052874	MURRELEKTRONIK VG-BC6/24	1ph;24VAC24VDC	
-15F3 +E1S	filter 1.000 L0052874	MURRELEKTRONIK VG-BC6/24	1ph;24VAC24VDC	
-15K1 +E1S	contactor/relay 1.000 L0052021	ABB BC7-30-10	Ub:19-26V;DC;Phal:3.5VA;S-el:3	
	accessory/special 1.000 L0052025	ABB CAF 6-11M	H1S;Us:500V;Ps:440V/5.5KW 230VAC 4A 1S10	
-15K2 +E1S	contactor/relay 1.000 L0052021	ABB BC7-30-10	Ub:19-26V;DC;Phal:3.5VA;S-el:3	
	accessory/special 1.000 L0052025	ABB CAF 6-11M	H1S;Us:500V;Ps:440V/5.5KW 230VAC 4A 1S10	
-20F1 +E2S	fuse holder 1.000 L0754156	RITTAL SV3427	E27;3pol;25A;500V	
	accessory/special 1.000 L0754157	RITTAL SV3428	E27,3POL,42*230MM,F.SV3427	
	screwed cap 3.000 L0754600	FEGA GMBH DIN49514-DII-500	E27;25A;500V	
	fuse insert 3.000 L0754740	MAINLAND GMBH DIN49516-DII*16	E27;16A	
	fuse cartridge 3.000 L0755440	MAINLAND GMBH DIN49515-DIIGL* 16*	DII;T16A;500V	
-20F2 +E1S	filter 1.000 L0052874	MURRELEKTRONIK VG-BC6/24	1ph;24VAC24VDC	
	monitoring device 1.000 L0057781	SIEMENS 3UN2100-0AB4	19-29V;DC	

EQUIPMENT LIST		machine number: 621007un high item designation: =N		
item inst.place	designation quantity part.no.	manufacturer type/order no.	technical data	
-20K1 +E1S	contactor/relay 1.000 L0052022	ABB BC7-30-01	Ub:19-26V;DC;Phal:3.5VA;S-el:3 H1O;Us:500V;Ps:440V/5.5KW	
-20K2 +E3S	contactor/relay 1.000 L0052532 accessory/special 1.000 L0720852	SCHRACK MT221024-25651111 KARL LUMBERG 108 PGS	Ub:20-34V;DC;Phal:1.2VA;S-el:2 W;Us:250V;Ps:250V/10A 8POL.,38*67*26MM	
-20M1 +N	gear motor AC 1.000 L0051478	SEW EURODRIVE S42DT80K4BM/HF/TF	3ph;240/415V*10%50HZ,2.92/1,69 A,550W;60Nm;17.9:1	
-20N1 +E2S	frequency converte 1.000 L0052994	SEW EURODRIVE 1015-403-4-00	3ph;Ue:280-460V;f:50/60Hz;Ua:4 00Vfa:2-127Hz;In:4A;P.mot:1.5k	
-20V1 +E3S	solid state relay 1.000 L0056085	BDT 84-270	Ub:24Vf:DCHz;Us:24VIs:4A	
-25B1 +N	proximity switch 1.000 L0752895	IFM ELECTRONIC IS-3002-BPOG+AS-510T	0-2mm;10-36V;DC;PNP;0.8kHz	
-30S1 +N	accessory/special 1.000 L0752807 limit/posit.switch 1.000 L0752801	HONEYWELL 5PA-PG9-1 HONEYWELL BZ-2RW 82255-A2	PG9,53.5*24.5*21MM 380VAC;15A	
-30S2 +N	accessory/special 1.000 L0752807 limit/posit.switch 1.000 L0752801	HONEYWELL 5PA-PG9-1 HONEYWELL BZ-2RW 82255-A2	PG9,53.5*24.5*21MM 380VAC;15A	
-30X1 +N	adapter/plug eleme 1.000 L0851090 plug/socket 8.000 L0752977	MURRELEKTRONIK MVSS-AS-276208 MURRELEKTRONIK 27625	Un:24V;In:2 (50VA)A;Ans:8+1 5pol.;250V;3A;0.75mm2	
-30X2 +N	adapter/plug eleme 1.000 L0851090 plug/socket 8.000 L0752977	MURRELEKTRONIK MVSS-AS-276208 MURRELEKTRONIK 27625	Un:24V;In:2 (50VA)A;Ans:8+1 5pol.;250V;3A;0.75mm2	
-35S1 +N	limit/posit.switch 1.000 L0752651 accessory/special 1.000 L0752652 accessory/special 11.000 L0752653	ELAN RSD02.D12.102 ELAN NLA 16.2-250B ELAN NT 0.16	380VAC;6A 250*32*16MM F.L0752652	
-35S2 +N	limit/posit.switch 1.000 L0752651 accessory/special 1.000 L0752652 accessory/special 11.000 L0752653	ELAN RSD02.D12.102 ELAN NLA 16.2-250B ELAN NT 0.16	380VAC;6A 250*32*16MM F.L0752652	
-40B1 +N	proximity switch 1.000 L0752932	IFM ELECTRONIC IN-3004-BPKG/IN5130	0-4mm;10-55V;DC;PNP;1.3kHz	
-40B2 +N	proximity switch 1.000 L0752932	IFM ELECTRONIC IN-3004-BPKG/IN5130	0-4mm;10-55V;DC;PNP;1.3kHz	
-40B3 +N	proximity switch 1.000 L0752932	IFM ELECTRONIC IN-3004-BPKG/IN5130	0-4mm;10-55V;DC;PNP;1.3kHz	
-40B4 +N	proximity switch 1.000 L0752932	IFM ELECTRONIC IN-3004-BPKG/IN5130	0-4mm;10-55V;DC;PNP;1.3kHz	
-40B5 +N	proximity switch 1.000 L0752957	BALLUFF BES516-356-S4C	0-3.2mm;10-30V;DC;PNP;0.4kHz	
-40B6 +N	proximity switch 1.000 L0752957	BALLUFF BES516-356-S4C	0-3.2mm;10-30V;DC;PNP;0.4kHz	
-40X1 +N	adapter/plug eleme 1.000 L0851090	MURRELEKTRONIK MVSS-AS-276208	Un:24V;In:2 (50VA)A;Ans:8+1	
filter: (not ("I"\$GERAET) and (SYMBOLTYP<>"7") and (SYMBOLTYP<		(C) De La Rue Giori S.A.		
format: GLGBNH	desig: A233HANS	dated: 16.7.1997	page:47	next page:48

EQUIPMENT LIST		machine number: 621007un high item designation: =N		
item	designation	manufacturer	technical data	
inst.place	quantity part.no.	type/order no.		
	plug/socket 8.000 L0752977	MURRELEKTRONIK 27625	5pol.;250V;3A;0.75mm2	
-40X2 +N	adapter/plug eleme 1.000 L0851090	MURRELEKTRONIK MVSS-AS-276208	Un:24V;In:2 (50VA)A;Ans:8+1	
	plug/socket 8.000 L0752977	MURRELEKTRONIK 27625	5pol.;250V;3A;0.75mm2	
-41B1 +N	proximity switch 1.000 L0752957	BALLUFF BES516-356-S4C	0-3.2mm;10-30V;DC;PNP;0.4kHz	
-41B2 +N	proximity switch 1.000 L0752957	BALLUFF BES516-356-S4C	0-3.2mm;10-30V;DC;PNP;0.4kHz	
-41B3 +N	proximity switch 1.000 L0752957	BALLUFF BES516-356-S4C	0-3.2mm;10-30V;DC;PNP;0.4kHz	
-41B4 +N	proximity switch 1.000 L0752957	BALLUFF BES516-356-S4C	0-3.2mm;10-30V;DC;PNP;0.4kHz	
-41B5 +N	proximity switch 1.000 L0752957	BALLUFF BES516-356-S4C	0-3.2mm;10-30V;DC;PNP;0.4kHz	
-41B6 +N	proximity switch 1.000 L0752957	BALLUFF BES516-356-S4C	0-3.2mm;10-30V;DC;PNP;0.4kHz	
-42B1 +N	photosensor 1.000 L0053461	DATALOGIC S5-5-A2-35 G5210235	0- 2000;10-30VERPOLUNGSSICHERV	
	accessory/special 1.000 L0053399	WENGLOR SENSORIC M	DC;PNP/NPN;0.2kHz D=26/22MM	
-42B2 +N	photosensor 1.000 L0053461	DATALOGIC S5-5-A2-35 G5210235	0- 2000;10-30VERPOLUNGSSICHERV	
	accessory/special 1.000 L0053399	WENGLOR SENSORIC M	DC;PNP/NPN;0.2kHz D=26/22MM	
-45B1 +N	magnetic switch 1.000 L0752980	BALLUFF BMF 32M-NS-C2-S49	10-30VDC;0.02kHz	
-45B2 +N	magnetic switch 1.000 L0752980	BALLUFF BMF 32M-NS-C2-S49	10-30VDC;0.02kHz	
-45B3 +N	magnetic switch 1.000 L0752980	BALLUFF BMF 32M-NS-C2-S49	10-30VDC;0.02kHz	
-45B4 +N	magnetic switch 1.000 L0752980	BALLUFF BMF 32M-NS-C2-S49	10-30VDC;0.02kHz	
-50V1 +E3S	solid state relay 1.000 L0056085	BDT 84-270	Ub:24Vf:DCHz;Us:24VIs:4A	
-50V2 +E3S	solid state relay 1.000 L0056085	BDT 84-270	Ub:24Vf:DCHz;Us:24VIs:4A	
*-50Y1 +N	clutch 1.000 L0059511	MOENNINGHOFF 24.546.23.3.4	24VDC;1.3A;36W;250Nm;8min-1	
-50Y2 +N	clutch 1.000 L0059511	MOENNINGHOFF 24.546.23.3.4	24VDC;1.3A;36W;250Nm;8min-1	
-55Y1 +N	solenoid valve 1.000 L2670582	FESTO MSFG-24-4527	24VUC,4.5W,ED:100%,IP65	
	solenoid valve 1.000 L2670753	FESTO MFH-5-1/8 9982	100%	
-55Y2 +N	solenoid valve 1.000 L2670582	FESTO MSFG-24-4527	24VUC,4.5W,ED:100%,IP65	
	solenoid valve 1.000 L2670753	FESTO MFH-5-1/8 9982	100%	
-60V1 +E3S	solid state relay 1.000 L0056085	BDT 84-270	Ub:24Vf:DCHz;Us:24VIs:4A	
-60V2	solid state relay	BDT	Ub:24Vf:DCHz;Us:24VIs:4A	
filter: (not ("I"\$GERAET)and(SYMBOLTYP<>"7")and(SYMBOLTYP<			(C) De La Rue Giori S.A.	
format: GLGBNH	desig: A233HANS	dated: 16.7.1997	page:48	next page:49

EQUIPMENT LIST machine number: 621007un high item designation: =N

item inst.place	designation quantity part.no.	manufacturer type/order no.	technical data
+E3S	1.000 L0056085	84-270	
-60V3 +E3S	solid state relay 1.000 L0056085	BDT 84-270	Ub:24Vf:DCHz;Us:24VIs:4A
-60V4 +E3S	solid state relay 1.000 L0056085	BDT 84-270	Ub:24Vf:DCHz;Us:24VIs:4A
-60Y1 +N	clutch 1.000 L0059511	MOENNINGHOFF 24.546.23.3.4	24VDC;1.3A;36W;250Nm;8min-1
-60Y2 +N	brake 1.000 L0059770	LENZE 14.438.14.1.1-24V-30	24V;DC;2.1A;60Nm
-60Y3 +N	clutch 1.000 L0059511	MOENNINGHOFF 24.546.23.3.4	24VDC;1.3A;36W;250Nm;8min-1
-60Y4 +N	brake 1.000 L0059770	LENZE 14.438.14.1.1-24V-30	24V;DC;2.1A;60Nm
-65B1 +N	magnetic switch 1.000 L0752980	BALLUFF BMF 32M-NS-C2-S49	10-30VDC;0.02kHz
-65B2 +N	magnetic switch 1.000 L0752980	BALLUFF BMF 32M-NS-C2-S49	10-30VDC;0.02kHz
-66F1 +E1S	prot.motor switch 1.000 L0057715	KLOECKNER-MOELLER PKZM1-1,6	1-1.6A;690V
	accessory/special 1.000 L0057723	KLOECKNER-MOELLER NHI11-PKZM1	UE:500V,AMAX.6,1S10,AQ:2.5
-66F3 +E1S	filter 1.000 L0052874	MURRELEKTRONIK VG-BC6/24	1ph;24VAC24VDC
-66K1 +E1S	contactor/relay 1.000 L0052022	ABB BC7-30-01	Ub:19-26V;DC;Phal:3.5VA;S-el:3 H10;Us:500V;Ps:440V/5.5KW
-66M1 +N	synchronous motor 1.000 L0051829	BERGER RSM884/3BSDK-P50:1	230V50/60Hz;0.32A;0.07kW;50:1; 20min-1;33Ncm;2.2uF
-67A1 +E4S	cpu/memory/funct.u 1.000 L0056289	BDT SPM2-ARC-GEB N2	ARCNET/SPM;24VDC
-67B1 +N	shaft encoder 1.000 L0053772	HENGSTLER RA58S/00010EK4XKDPGS N	1024S/U;GRAY-Code;10-30V;DC;NP N
-67B2 +N	proximity switch 1.000 L0752956	BALLUFF BES516-325-S4C	0-1.6mm;10-30V;DC;PNP;0.8kHz
-67B3 +N	proximity switch 1.000 L0752956	BALLUFF BES516-325-S4C	0-1.6mm;10-30V;DC;PNP;0.8kHz
-68F1 +E1S	prot.motor switch 1.000 L0057715	KLOECKNER-MOELLER PKZM1-1,6	1-1.6A;690V
	accessory/special 1.000 L0057723	KLOECKNER-MOELLER NHI11-PKZM1	UE:500V,AMAX.6,1S10,AQ:2.5
-68F3 +E1S	filter 1.000 L0052874	MURRELEKTRONIK VG-BC6/24	1ph;24VAC24VDC
-68K1 +E1S	contactor/relay 1.000 L0052022	ABB BC7-30-01	Ub:19-26V;DC;Phal:3.5VA;S-el:3 H10;Us:500V;Ps:440V/5.5KW
-68M1 +N	synchronous motor 1.000 L0051829	BERGER RSM884/3BSDK-P50:1	230V50/60Hz;0.32A;0.07kW;50:1; 20min-1;33Ncm;2.2uF
-69B1 +N	shaft encoder 1.000 L0053772	HENGSTLER RA58S/00010EK4XKDPGS N	1024S/U;GRAY-Code;10-30V;DC;NP N
-69B2 +N	proximity switch 1.000 L0752956	BALLUFF BES516-325-S4C	0-1.6mm;10-30V;DC;PNP;0.8kHz
-69B3 +N	proximity switch 1.000 L0752956	BALLUFF BES516-325-S4C	0-1.6mm;10-30V;DC;PNP;0.8kHz

Not used  
in our plant

Not Used  
On  
Cubpak-11  
Universal  
Mk.

filter: (not ("I"\$GERAET) and (SYMBOLTYP<>"7") and (SYMBOLTYP< (C) De La Rue Giori S.A.

format: GLGBNH desig: A233HANS dated: 16.7.1997 page:49 next page:50

EQUIPMENT LIST machine number: 621007un high item designation: =N

item inst.place	designation quantity part.no.	manufacturer type/order no.	technical data
-70B1 +N	magnetic switch 1.000 L0752980	BALLUFF BMF 32M-NS-C2-S49	10-30VDC;0.02kHz
-70B2 +N	magnetic switch 1.000 L0752980	BALLUFF BMF 32M-NS-C2-S49	10-30VDC;0.02kHz
-70B3 +N	magnetic switch 1.000 L0752980	BALLUFF BMF 32M-NS-C2-S49	10-30VDC;0.02kHz
-70B4 +N	magnetic switch 1.000 L0752980	BALLUFF BMF 32M-NS-C2-S49	10-30VDC;0.02kHz
-70B5 +N	photosensor 1.000 L0053645	WENGLOR SENSORIC HD11PC3	35- 100;10-30VDC;0.6kHz
-70B6 +N	photosensor 1.000 L0053645	WENGLOR SENSORIC HD11PC3	35- 100;10-30VDC;0.6kHz
-70X1 +N	adapter/plug eleme 1.000 L0851090 plug/socket 8.000 L0752977	MURRELEKTRONIK MVSS-AS-276208 MURRELEKTRONIK 27625	Un:24V;In:2 (50VA)A;Ans:8+1 5pol.;250V;3A;0.75mm2
-71X1 +N	adapter/plug eleme 1.000 L0851090 plug/socket 8.000 L0752977	MURRELEKTRONIK MVSS-AS-276208 MURRELEKTRONIK 27625	Un:24V;In:2 (50VA)A;Ans:8+1 5pol.;250V;3A;0.75mm2
-71Y1 +N	solenoid valve 1.000 L0059114	FESTO MSFG-24-OD-34411	24VUC,4.5W,ED:100%,IP65
-71Y2 +N	solenoid valve 1.000 L0059114	FESTO MSFG-24-OD-34411	24VUC,4.5W,ED:100%,IP65
-71Y3 +N	solenoid valve 1.000 L0059114	FESTO MSFG-24-OD-34411	24VUC,4.5W,ED:100%,IP65
-71Y4 +N	solenoid valve 1.000 L0059114	FESTO MSFG-24-OD-34411	24VUC,4.5W,ED:100%,IP65
-75A1 +DT9	1.000 L0066230		
-75A1-S11 +DT9	switch/knob button 1.000 L0751805 contact element 1.000 L0751781 shield 1.000 L0840999	ELAN EDT KB ELAN EF103.1 ELAN E-KB-9.1	22.5 22.5;230VAC;10A d:18.9mm
-75A1-S12 +DT9	switch/knob button 1.000 L0751805 contact element 1.000 L0751781 shield 1.000 L0840999	ELAN EDT KB ELAN EF103.1 ELAN E-KB-9.1	22.5 22.5;230VAC;10A d:18.9mm
-75A1-S13 +DT9	switch/knob button 1.000 L0751705 contact element 1.000 L0751781 shield 1.000 L0840999	ELAN EWS21,1KB 2STELLIG ELAN EF103.1 ELAN E-KB-9.1	22.5 22.5;230VAC;10A d:18.9mm
-75A1-S14 +DT9	contact element 1.000 L0751738 switch/knob button 1.000 L0751779	ELAN EF110.1 ELAN EDR35ROTKB	22.5;400VAC;6A 22.5
-75A1-S15 +DT9	switch/knob button 1.000 L0751805 contact element 1.000 L0751781 shield ELAN	ELAN EDT KB ELAN EF103.1 ELAN	22.5 22.5;230VAC;10A d:18.9mm

filter: (not ("I"\$GERAET) and (SYMBOLTYP<>"7") and (SYMBOLTYP< (C) De La Rue Giori S.A.

EQUIPMENT LIST machine number: 621007un high item designation: =N

item	designation	manufacturer	technical data
inst.place	quantity	part.no. type/order no.	

1.000 L0840999 E-KB-9.1

-75A1-S16	switch/knob button	ELAN	22.5
+DT9	1.000 L0751719	EDRR40RT+EFR	
	shield	ELAN	d:22.5mm
	1.000 L0751767	MDP-8	
	contact element	ELAN	22.5;400VAC;4A
	1.000 L0751742	EF220.1	

filter: (not ("I"\$GERAET)and(SYMBOLTYP<>"7")and(SYMBOLTYP< (C) De La Rue Giori S.A.

format: GLGBNH

desig: A233HANS

dated: 16.7.1997

page:51

next page:52

EQUIPMENT LIST		machine number: 621007un high item designation: =P		
item inst.place	designation quantity part.no.	manufacturer type/order no.	technical data	
-1F1 +E1S	fuse cartridge 3.000 L0755430 accessory/special 1.000 L0754157 screwed cap 3.000 L0754600 fuse insert 3.000 L0754730 fuse holder 1.000 L0754156	FEGA GMBH DIN49515-DIIGL* 10* RITTAL SV3428 FEGA GMBH DIN49514-DII-500 MAINLAND GMBH DIN49516-DII*10 RITTAL SV3427	DII;T10A;500V E27,3POL,42*230MM,F.SV3427 E27;25A;500V E27;10A E27;3pol;25A;500V	
-1F2 +E5S	automatic fuse 1.000 L0057863 accessory/special 1.000 L0057860	ABB GHS271-K10 ABB S2-H11	1pol;K;10A;440V;60VDC 5VA MIN BEI 24V / 1S10	
-1K1 +E3S	contactor/relay 1.000 L0052512 accessory/special 1.000 L0720097	WAGO 286-304/002-000 WAGO 280-609	Ub:24V;DC;Phal:0.53VA;S-el:1W; Us:250V;Ps:250V/7A 2*6POLs 0.08-2.5MM2	
-1Q1 +P1ST	main switch 1.000 L0750302	KRAUS & NAIMER CH16B-A203-600E-S1-		
-2F1 +P1S	prot.motor switch 1.000 L0057714 accessory/special 1.000 L0057723	KLOECKNER-MOELLER PKZM1-1 KLOECKNER-MOELLER NHI11-PKZM1	0.6-1A;690V UE:500V,AMAX.6,1S10,AQ:2.5	
-2H1 +P1ST	signal lamp/holder 1.000 L0751778 signal lamp/holder 1.000 L0751784 bulb/led 1.000 L0752327	ELAN EMLH GRUEN ELAN EL 0280190 BARTHELME KRI/23	24V;UC;2W;BA9S 250V;UC;BA9S BA9S;30V;2W	
-2H2 +P1ST	signal lamp/holder 1.000 L0751777 signal lamp/holder 1.000 L0751784 bulb/led 1.000 L0752327	ELAN EMLH ROT ELAN EL 0280190 BARTHELME KRI/23	24V;UC;2W;BA9S 250V;UC;BA9S BA9S;30V;2W	
-2K1 +P1S	contactor/relay 1.000 L0052021	ABB BC7-30-10	Ub:19-26V;DC;Phal:3.5VA;S-el:3 H1S;Us:500V;Ps:440V/5.5KW	
*-2M1 +P	1.000 L-sew			
-3A1 +DT14	1.000 L-TRAPO			
-3A1-H14 +DT14	signal lamp/holder 1.000 L0751777 signal lamp/holder 1.000 L0751784 bulb/led 1.000 L0752327	ELAN EMLH ROT ELAN EL 0280190 BARTHELME KRI/23	24V;UC;2W;BA9S 250V;UC;BA9S BA9S;30V;2W	
-3A1-S11 +DT14	switch/knob button 1.000 L0751825 contact element 1.000 L0751781	ELAN EDS13-0270625 ELAN EF103.1	22.5 22.5;230VAC;10A	
-3A1-S12 +DT14	switch/knob button 1.000 L0751805 contact element 1.000 L0751781 shield 1.000 L0840999	ELAN EDT KB ELAN EF103.1 ELAN E-KB-9.1	22.5 22.5;230VAC;10A d:18.9mm	
-3A1-S13 +DT14	contact element 1.000 L0751738 switch/knob button ELAN	ELAN EF110.1 ELAN	22.5;400VAC;6A 22.5	
filter: (not ("I"\$GERAET)and(SYMBOLTYP<>"7")and(SYMBOLTYP<				
(C) De La Rue Giori S.A.				
format: GLGBNH	desig: A233HANS	dated: 16.7.1997	page:52	next page:53

EQUIPMENT LIST		machine number: 621007un		high item designation: =P
item	designation	manufacturer	technical data	
inst.place	quantity	part.no.	type/order no.	
	1.000	L0751779	EDR35ROTKB	
-3A1-S15 +DT14	switch/knob button	ELAN		22.5
	1.000	L0751719	EDRR40RT+EFR	
	shield	ELAN		d:22.5mm
	1.000	L0751767	MDP-8	
	contact element	ELAN		22.5;400VAC;4A
	1.000	L0751742	EF220.1	
-4F2 +P1S	fuse cartridge	GROSSHANDEL		5*20;T4A;250V
	2.000	L0755840	5*20	
	accessory/special	WAGO		800V,F.FUSES 5*20/25/30MM
	1.000	L0720100	281-611	AWG28-12
	accessory	WAGO		2.5*60*35MM,F.4MM2
	1.000	L0720101	281-311	
-5B1 +P	photosensor	WENGLOR SENSORIC		35- 100;10-30VDC;0.6kHz
	1.000	L0053392	HW11PC3	
-5B2 +P	photosensor	WENGLOR SENSORIC		35- 100;10-30VDC;0.6kHz
	1.000	L0053392	HW11PC3	
-5B3 +P	magnetic switch	BALLUFF		10-30VDC;0.02kHz
	1.000	L0752980	BMF 32M-NS-C2-S49	
-5B4 +P	magnetic switch	BALLUFF		10-30VDC;0.02kHz
	1.000	L0752980	BMF 32M-NS-C2-S49	
-5Y1 +P	solenoid valve	FESTO		24VUC,4.5W,ED:100%,IP65
	2.000	L0059114	MSFG-24-OD-34411	
-10B1 +P	photosensor	WENGLOR SENSORIC		35- 100;10-30VDC;0.6kHz
	1.000	L0053392	HW11PC3	
-10B2 +P	photosensor	WENGLOR SENSORIC		35- 100;10-30VDC;0.6kHz
	1.000	L0053392	HW11PC3	
-10B3 +P	magnetic switch	BALLUFF		10-30VDC;0.02kHz
	1.000	L0752980	BMF 32M-NS-C2-S49	
-10B4 +P	magnetic switch	BALLUFF		10-30VDC;0.02kHz
	1.000	L0752980	BMF 32M-NS-C2-S49	
-10Y1 +P	solenoid valve	FESTO		24VUC,4.5W,ED:100%,IP65
	2.000	L0059114	MSFG-24-OD-34411	
-15B1 +P	photosensor	WENGLOR SENSORIC		35- 100;10-30VDC;0.6kHz
	1.000	L0053392	HW11PC3	
-15B2 +P	photosensor	WENGLOR SENSORIC		35- 100;10-30VDC;0.6kHz
	1.000	L0053392	HW11PC3	
-15B3 +P	magnetic switch	BALLUFF		10-30VDC;0.02kHz
	1.000	L0752980	BMF 32M-NS-C2-S49	
-15B4 +P	magnetic switch	BALLUFF		10-30VDC;0.02kHz
	1.000	L0752980	BMF 32M-NS-C2-S49	
-15Y1 +P	solenoid valve	FESTO		24VUC,4.5W,ED:100%,IP65
	2.000	L0059114	MSFG-24-OD-34411	
-20B1 +P	photosensor	WENGLOR SENSORIC		35- 100;10-30VDC;0.6kHz
	1.000	L0053392	HW11PC3	
-20B2 +P	photosensor	WENGLOR SENSORIC		35- 100;10-30VDC;0.6kHz
	1.000	L0053392	HW11PC3	
-20B3 +P	magnetic switch	BALLUFF		10-30VDC;0.02kHz
	1.000	L0752980	BMF 32M-NS-C2-S49	
-20B4 +P	magnetic switch	BALLUFF		10-30VDC;0.02kHz
	1.000	L0752980	BMF 32M-NS-C2-S49	
-20Y1	solenoid valve	FESTO		24VUC,4.5W,ED:100%,IP65

filter: (not ("I"\$GERAET)and(SYMBOLTYP<>"7")and(SYMBOLTYP< (C) De La Rue Giori S.A.

format: GLGBNH

desig: A233HANS

dated: 16.7.1997

page:53

next page:54



## EQUIPMENT LIST

machine number: 621007un high item designation: =P

item inst.place	designation quantity part.no.	manufacturer type/order no.	technical data
+P	2.000 L0059114	MSFG-24-OD-34411	
-25B1 +P	photosensor 1.000 L0053392	WENGLOR SENSORIC HW11PC3	35- 100;10-30VDC;0.6kHz
-25B2 +P	photosensor 1.000 L0053392	WENGLOR SENSORIC HW11PC3	35- 100;10-30VDC;0.6kHz
-25B3 +P	magnetic switch 1.000 L0752980	BALLUFF BMF 32M-NS-C2-S49	10-30VDC;0.02kHz
-25B4 +P	magnetic switch 1.000 L0752980	BALLUFF BMF 32M-NS-C2-S49	10-30VDC;0.02kHz
-25Y1 +P	solenoid valve 2.000 L0059114	FESTO MSFG-24-OD-34411	24VUC, 4.5W, ED:100%, IP65
-30B1 +P	photosensor 1.000 L0053392	WENGLOR SENSORIC HW11PC3	35- 100;10-30VDC;0.6kHz
-30B2 +P	photosensor 1.000 L0053392	WENGLOR SENSORIC HW11PC3	35- 100;10-30VDC;0.6kHz
-30B3 +P	magnetic switch 1.000 L0752980	BALLUFF BMF 32M-NS-C2-S49	10-30VDC;0.02kHz
-30B4 +P	magnetic switch 1.000 L0752980	BALLUFF BMF 32M-NS-C2-S49	10-30VDC;0.02kHz
-30Y1 +P	solenoid valve 2.000 L0059114	FESTO MSFG-24-OD-34411	24VUC, 4.5W, ED:100%, IP65
-35B1 +P	photosensor 1.000 L0053392	WENGLOR SENSORIC HW11PC3	35- 100;10-30VDC;0.6kHz
-35B2 +P	photosensor 1.000 L0053392	WENGLOR SENSORIC HW11PC3	35- 100;10-30VDC;0.6kHz
-35B3 +P	magnetic switch 1.000 L0752980	BALLUFF BMF 32M-NS-C2-S49	10-30VDC;0.02kHz
-35B4 +P	magnetic switch 1.000 L0752980	BALLUFF BMF 32M-NS-C2-S49	10-30VDC;0.02kHz
-35Y1 +P	solenoid valve 2.000 L0059114	FESTO MSFG-24-OD-34411	24VUC, 4.5W, ED:100%, IP65
-40B2 +P	photosensor 1.000 L0053392	WENGLOR SENSORIC HW11PC3	35- 100;10-30VDC;0.6kHz
-40B3 +P	magnetic switch 1.000 L0752980	BALLUFF BMF 32M-NS-C2-S49	10-30VDC;0.02kHz
-40B4 +P	magnetic switch 1.000 L0752980	BALLUFF BMF 32M-NS-C2-S49	10-30VDC;0.02kHz
-40Y1 +P	solenoid valve 2.000 L0059114	FESTO MSFG-24-OD-34411	24VUC, 4.5W, ED:100%, IP65
-50E1 +P	accessory/special 1.000 L0752232	PFANNENBERG DWBS WEISS	24VDC, 0.15A, 3.6W, IP54, 1HZ; 66mm *235mm*50mm
-50K1 +P1S	contactor/relay 1.000 L0052512	WAGO 286-304/002-000	Ub:24V;DC;Phal:0.53VA;S-el:1W; Us:250V;Ps:250V/7A
	accessory/special 1.000 L0720097	WAGO 280-609	2*6POLS 0.08-2.5MM2
-50S1 +P	limit/posit.switch 1.000 L0752641	SCHMERSAL AZ15ZVRK	230VAC;4A
	accessory/special 1.000 L0752642	SCHMERSAL B1	56*28*16MM
-50S2 +P	limit/posit.switch 1.000 L0752641	SCHMERSAL AZ15ZVRK	230VAC;4A

filter: (not ("I"\$GERAET) and (SYMBOLTYP&lt;&gt;"7") and (SYMBOLTYP&lt;

(C) De La Rue Giori S.A.

format: GLGBNH

desig: A233HANS

dated: 16.7.1997

page:54

next page:55

EQUIPMENT LIST machine number: 621007un high item designation: =P

item inst.place	designation quantity part.no.	manufacturer type/order no.	technical data
	accessory/special 1.000 L0752642	SCHMERSAL B1	56*28*16MM
-50S3 +P	limit/posit.switch 1.000 L0752641	SCHMERSAL AZ15ZVRK	230VAC;4A
	accessory/special 1.000 L0752642	SCHMERSAL B1	56*28*16MM
-55S1 +P1ST	switch/knob button 1.000 L0751826	ELAN EDS16-STANDARD	22.5
	contact element 1.000 L0751781	ELAN EF103.1	22.5;230VAC;10A
	shield 1.000 L0852359	BRAUNE -	d:22.5mm
-55Y1 +P	solenoid valve 1.000 L0059114	FESTO MSFG-24-OD-34411	24VUC,4.5W,ED:100%,IP65
-60B1 +P	photosensor 1.000 L0053392	WENGLOR SENSORIC HW11PC3	35- 100;10-30VDC;0.6kHz
-90D1 +P1S	cpu/memory/funct.u 1.000 L0055976	ABB 07KT93R161	ARC./CS31;24VDC,ARCNET,24/16BI
	plug/socket 1.000 L0756703	TELEGAERTNER BU-STI-BU	N.IN-/OUTPUT 1pol.
-90R1 +P1S	resistor 1.000 L0756702	TELEGAERTNER J01006A1373	93Ohm
-90R2 +P1S	resistor 1.000 L0058243	SPOERLE PR01	120Ohm5%;1W
-91D1 +P1S	in-/output unit 1.000 L0055977	ABB ICDG32L1	CS31;16IN-,8OUT-PUTS,0.5A,8I/O
-92D1 +P1S	in-/output unit 1.000 L0055977	ABB ICDG32L1	CS31;16IN-,8OUT-PUTS,0.5A,8I/O
-92R1 +P1S	resistor 1.000 L0058243	SPOERLE PR01	120Ohm5%;1W

filter: (not ("I"\$GERAET) and (SYMBOLTYP<>"7") and (SYMBOLTYP< (C) De La Rue Giori S.A.

format: GLGBNH

desig: A233HANS

dated: 16.7.1997

page:55

next page:56

EQUIPMENT LIST		machine number: 621007un		high item designation: =R
item	designation	manufacturer	technical data	
inst.place	quantity part.no.	type/order no.		
-1A1 +R	sensor, monitor 1.000 L0065890	KBA N.Z.	20-500°C	
* -1A1-1B4 +R	sensor, monitor 1.000 L0053812	DEGUSSA A51-1031-810212, PT	PT100, T.MAX:500°C, D=2.8MM	
-1B1 +R	photosensor 1.000 L0053394	WENGLOR SENSORIC LW86PCV3	0- 3500;10-30VDC;PNP;0.6kHz	
-1B2 +RA1	photosensor 1.000 L0053466	DATALOGIC TL80-011L 103567	9;10-30VDC;PNP;10kHz	
-1B3 +RA1	photosensor 1.000 L0053463	DATALOGIC S5-5-L2-90	0- 15 GEGEN DUNKLEN GEGENS TAND;10-30VDC;PNP;0.17kHz	
-1E1 +RA1	heater/heating uni 1.000 L0065900	KBA N.Z.	220V;0.27A;60W	
-1H1 +R2S	signal lamp/holder 1.000 L0850149 bulb/led 1.000 L0850496	RAFI 1.60502.091 OSRAM 3626	250V;UC;2W;E10 E10;3.7V	
* -1M1 +RA1	motor AC 1.000 L0051312	DUNKER DR62.1*30.2	3ph;230/400V +-5%, 50HZ, 0,09A, 1 9W;0.069Nm	
-1Y2 +R2S	solenoid valve 1.000 L0059114	FESTO MSFG-24-OD-34411	24VUC, 4.5W, ED:100%, IP65	
* -5X1 +R	adapter/plug eleme 1.000 L0851090 plug/socket 8.000 L0752978	MURRELEKTRONIK MVSS-AS-276208 MURRELEKTRONIK 27635	Un:24V;In:2 (50VA)A;Ans:8+1 5pol.;250V;3A;0.75mm2;M12	
-5Y1 +R	solenoid valve 1.000 L0059114	FESTO MSFG-24-OD-34411	24VUC, 4.5W, ED:100%, IP65	
-5Y2 +R1S	solenoid valve 1.000 L0059114	FESTO MSFG-24-OD-34411	24VUC, 4.5W, ED:100%, IP65	
-5Y3 +R1S	solenoid valve 1.000 L0059114	FESTO MSFG-24-OD-34411	24VUC, 4.5W, ED:100%, IP65	
-10B1 +R	photosensor 1.000 L0053394	WENGLOR SENSORIC LW86PCV3	0- 3500;10-30VDC;PNP;0.6kHz	
-10B2 +RA2	photosensor 1.000 L0053466	DATALOGIC TL80-011L 103567	9;10-30VDC;PNP;10kHz	
-10B3 +RA2	photosensor 1.000 L0053463	DATALOGIC S5-5-L2-90	0- 15 GEGEN DUNKLEN GEGENS TAND;10-30VDC;PNP;0.17kHz	
-10E1 +RA2	heater/heating uni 1.000 L0065900	KBA N.Z.	220V;0.27A;60W	
-10H1 +R2S	signal lamp/holder 1.000 L0850149 bulb/led 1.000 L0850496	RAFI 1.60502.091 OSRAM 3626	250V;UC;2W;E10 E10;3.7V	
-10M1 +RA2	motor AC 1.000 L0051312	DUNKER DR62.1*30.2	3ph;230/400V +-5%, 50HZ, 0,09A, 1 9W;0.069Nm	
-10Y2 +R2S	solenoid valve 1.000 L0059114	FESTO MSFG-24-OD-34411	24VUC, 4.5W, ED:100%, IP65	
-15Y1 +R	solenoid valve 1.000 L0059114	FESTO MSFG-24-OD-34411	24VUC, 4.5W, ED:100%, IP65	
-15Y2 +R1S	solenoid valve 1.000 L0059114	FESTO MSFG-24-OD-34411	24VUC, 4.5W, ED:100%, IP65	
-15Y3 +R1S	solenoid valve 1.000 L0059114	FESTO MSFG-24-OD-34411	24VUC, 4.5W, ED:100%, IP65	

filter: (not ("I"\$GERAET) and (SYMBOLTYP<>"7") and (SYMBOLTYP< (C) De La Rue Giori S.A.

format: GLGBNH

desig: A233HANS

dated: 16.7.1997

page:56

next page:57

EQUIPMENT LIST		machine number: 621007un high item designation: =R		
item inst.place	designation quantity part.no.	manufacturer type/order no.	technical data	
-20B1 +R	photosensor 1.000 L0053394	WENGLOR SENSORIC LW86PCV3	0- 3500;10-30VDC;PNP;0.6kHz	
-20B2 +RA3	photosensor 1.000 L0053466	DATALOGIC TL80-011L 103567	9;10-30VDC;PNP;10kHz	
-20B3 +RA3	photosensor 1.000 L0053463	DATALOGIC S5-5-L2-90	0- 15 GEGEN DUNKLEN GEGENS TAND;10-30VDC;PNP;0.17kHz	
-20E1 +RA3	heater/heating uni 1.000 L0065900	KBA N.Z.	220V;0.27A;60W	
-20H1 +R2S	signal lamp/holder 1.000 L0850149	RAFI 1.60502.091	250V;UC;2W;E10	
	bulb/led 1.000 L0850496	OSRAM 3626	E10;3.7V	
-20M1 +RA3	motor AC 1.000 L0051312	DUNKER DR62.1*30.2	3ph;230/400V +-5%,50HZ,0,09A,1 9W;0.069Nm	
-20Y2 +R2S	solenoid valve 1.000 L0059114	FESTO MSFG-24-OD-34411	24VUC,4.5W,ED:100%,IP65	
-25Y1 +R	solenoid valve 1.000 L0059114	FESTO MSFG-24-OD-34411	24VUC,4.5W,ED:100%,IP65	
-25Y2 +R1S	solenoid valve 1.000 L0059114	FESTO MSFG-24-OD-34411	24VUC,4.5W,ED:100%,IP65	
-25Y3 +R1S	solenoid valve 1.000 L0059114	FESTO MSFG-24-OD-34411	24VUC,4.5W,ED:100%,IP65	
-30B1 +R	photosensor 1.000 L0053394	WENGLOR SENSORIC LW86PCV3	0- 3500;10-30VDC;PNP;0.6kHz	
-30B2 +RA4	photosensor 1.000 L0053466	DATALOGIC TL80-011L 103567	9;10-30VDC;PNP;10kHz	
-30B3 +RA4	photosensor 1.000 L0053463	DATALOGIC S5-5-L2-90	0- 15 GEGEN DUNKLEN GEGENS TAND;10-30VDC;PNP;0.17kHz	
-30E1 +RA4	heater/heating uni 1.000 L0065900	KBA N.Z.	220V;0.27A;60W	
-30H1 +R2S	signal lamp/holder 1.000 L0850149	RAFI 1.60502.091	250V;UC;2W;E10	
	bulb/led 1.000 L0850496	OSRAM 3626	E10;3.7V	
-30M1 +RA4	motor AC 1.000 L0051312	DUNKER DR62.1*30.2	3ph;230/400V +-5%,50HZ,0,09A,1 9W;0.069Nm	
-30Y2 +R2S	solenoid valve 1.000 L0059114	FESTO MSFG-24-OD-34411	24VUC,4.5W,ED:100%,IP65	
-35Y1 +R	solenoid valve 1.000 L0059114	FESTO MSFG-24-OD-34411	24VUC,4.5W,ED:100%,IP65	
-35Y2 +R1S	solenoid valve 1.000 L0059114	FESTO MSFG-24-OD-34411	24VUC,4.5W,ED:100%,IP65	
-35Y3 +R1S	solenoid valve 1.000 L0059114	FESTO MSFG-24-OD-34411	24VUC,4.5W,ED:100%,IP65	
-40B1 +R	photosensor 1.000 L0053394	WENGLOR SENSORIC LW86PCV3	0- 3500;10-30VDC;PNP;0.6kHz	
-40B2 +RA5	photosensor 1.000 L0053466	DATALOGIC TL80-011L 103567	9;10-30VDC;PNP;10kHz	
-40B3 +RA5	photosensor 1.000 L0053463	DATALOGIC S5-5-L2-90	0- 15 GEGEN DUNKLEN GEGENS TAND;10-30VDC;PNP;0.17kHz	
-40E1	heater/heating uni	KBA	220V;0.27A;60W	

filter: (not ("I"\$GERAET) and (SYMBOLTYP<>"7") and (SYMBOLTYP< (C) De La Rue Giori S.A.

format: GLGBNH      desig: A233HANS      dated: 16.7.1997      page:57      next page:58

EQUIPMENT LIST		machine number: 621007un high item designation: =R		
item	designation	manufacturer	technical data	
inst.place	quantity part.no.	type/order no.		
+RA5	1.000 L0065900	N.Z.		
-40H1	signal lamp/holder	RAFI	250V;UC;2W;E10	
+R2S	1.000 L0850149	1.60502.091		
	bulb/led	OSRAM	E10;3.7V	
	1.000 L0850496	3626		
-40M1	motor AC	DUNKER	3ph;230/400V +-5%,50HZ,0,09A,1	
+RA5	1.000 L0051312	DR62.1*30.2	9W;0.069Nm	
-40Y2	solenoid valve	FESTO	24VUC,4.5W,ED:100%,IP65	
+R2S	1.000 L0059114	MSFG-24-OD-34411		
-45Y1	solenoid valve	FESTO	24VUC,4.5W,ED:100%,IP65	
+R	1.000 L0059114	MSFG-24-OD-34411		
-45Y2	solenoid valve	FESTO	24VUC,4.5W,ED:100%,IP65	
+R1S	1.000 L0059114	MSFG-24-OD-34411		
-45Y3	solenoid valve	FESTO	24VUC,4.5W,ED:100%,IP65	
+R1S	1.000 L0059114	MSFG-24-OD-34411		
-50B1	photosensor	WENGLOR SENSORIC	0- 3500;10-30VDC;PNP;0.6kHz	
+R	1.000 L0053394	LW86PCV3		
-50B2	photosensor	DATALOGIC	9;10-30VDC;PNP;10kHz	
+RA6	1.000 L0053466	TL80-011L 103567		
-50B3	photosensor	DATALOGIC	0- 15 GEGEN DUNKLEN GEGENS	
+RA6	1.000 L0053463	S5-5-L2-90	TAND;10-30VDC;PNP;0.17kHz	
-50E1	heater/heating uni	KBA	220V;0.27A;60W	
+RA6	1.000 L0065900	N.Z.		
-50H1	signal lamp/holder	RAFI	250V;UC;2W;E10	
+R2S	1.000 L0850149	1.60502.091		
	bulb/led	OSRAM	E10;3.7V	
	1.000 L0850496	3626		
-50M1	motor AC	DUNKER	3ph;230/400V +-5%,50HZ,0,09A,1	
+RA6	1.000 L0051312	DR62.1*30.2	9W;0.069Nm	
-50Y2	solenoid valve	FESTO	24VUC,4.5W,ED:100%,IP65	
+R2S	1.000 L0059114	MSFG-24-OD-34411		
-55Y1	solenoid valve	FESTO	24VUC,4.5W,ED:100%,IP65	
+R	1.000 L0059114	MSFG-24-OD-34411		
-55Y2	solenoid valve	FESTO	24VUC,4.5W,ED:100%,IP65	
+R1S	1.000 L0059114	MSFG-24-OD-34411		
-55Y3	solenoid valve	FESTO	24VUC,4.5W,ED:100%,IP65	
+R1S	1.000 L0059114	MSFG-24-OD-34411		
-60B1	photosensor	WENGLOR SENSORIC	0- 3500;10-30VDC;PNP;0.6kHz	
+R	1.000 L0053394	LW86PCV3		
-60B2	photosensor	DATALOGIC	9;10-30VDC;PNP;10kHz	
+RA7	1.000 L0053466	TL80-011L 103567		
-60B3	photosensor	DATALOGIC	0- 15 GEGEN DUNKLEN GEGENS	
+RA7	1.000 L0053463	S5-5-L2-90	TAND;10-30VDC;PNP;0.17kHz	
-60E1	heater/heating uni	KBA	220V;0.27A;60W	
+RA7	1.000 L0065900	N.Z.		
-60H1	signal lamp/holder	RAFI	250V;UC;2W;E10	
+R2S	1.000 L0850149	1.60502.091		
	bulb/led	OSRAM	E10;3.7V	
	1.000 L0850496	3626		
-60M1	motor AC	DUNKER	3ph;230/400V +-5%,50HZ,0,09A,1	
+RA7	1.000 L0051312	DR62.1*30.2	9W;0.069Nm	

filter: (not ("I"\$GERAET)and(SYMBOLTYP<>"7")and(SYMBOLTYP< (C) De La Rue Giori S.A.

format: GLGBNH    desig: A233HANS    dated: 16.7.1997    page:58    next page:59

## EQUIPMENT LIST

machine number: 621007un high item designation: =R

item inst.place	designation quantity	part.no.	manufacturer type/order no.	technical data
-60Y2 +R2S	solenoid valve 1.000	L0059114	FESTO MSFG-24-OD-34411	24VUC, 4.5W, ED:100%, IP65
-65Y1 +R	solenoid valve 1.000	L0059114	FESTO MSFG-24-OD-34411	24VUC, 4.5W, ED:100%, IP65
-65Y2 +R1S	solenoid valve 1.000	L0059114	FESTO MSFG-24-OD-34411	24VUC, 4.5W, ED:100%, IP65
-65Y3 +R1S	solenoid valve 1.000	L0059114	FESTO MSFG-24-OD-34411	24VUC, 4.5W, ED:100%, IP65
-70B1 +R	photosensor 1.000	L0053394	WENGLOR SENSORIC LW86PCV3	0- 3500;10-30VDC;PNP;0.6kHz
-70B2 +RA8	photosensor 1.000	L0053466	DATALOGIC TL80-011L 103567	9;10-30VDC;PNP;10kHz
-70B3 +RA8	photosensor 1.000	L0053463	DATALOGIC S5-5-L2-90	0- 15 GEGEN DUNKLEN GEGENS TAND;10-30VDC;PNP;0.17kHz
-70E1 +RA8	heater/heating uni 1.000	L0065900	KBA N.Z.	220V;0.27A;60W
-70H1 +R2S	signal lamp/holder 1.000	L0850149	RAFI 1.60502.091	250V;UC;2W;E10
	bulb/led 1.000	L0850496	OSRAM 3626	E10;3.7V
-70M1 +RA8	motor AC 1.000	L0051312	DUNKER DR62.1*30.2	3ph;230/400V +-5%,50HZ,0,09A,1 9W;0.069Nm
-70Y2 +R2S	solenoid valve 1.000	L0059114	FESTO MSFG-24-OD-34411	24VUC, 4.5W, ED:100%, IP65
-75Y1 +R	solenoid valve 1.000	L0059114	FESTO MSFG-24-OD-34411	24VUC, 4.5W, ED:100%, IP65
-75Y2 +R1S	solenoid valve 1.000	L0059114	FESTO MSFG-24-OD-34411	24VUC, 4.5W, ED:100%, IP65
-75Y3 +R1S	solenoid valve 1.000	L0059114	FESTO MSFG-24-OD-34411	24VUC, 4.5W, ED:100%, IP65
-85F1 +E1S	prot.motor switch 1.000	L0057713	KLOECKNER-MOELLER PKZM1-0,6	0.4-0.6A;690V
	accessory/special 1.000	L0057723	KLOECKNER-MOELLER NHI11-PKZM1	UE:500V,AMAX.6,1S10,AQ:2.5
-85F2 +E1S	filter 1.000	L0052874	MURRELEKTRONIK VG-BC6/24	1ph;24VAC24VDC
-85K1 +E1S	contactor/relay 1.000	L0052021	ABB BC7-30-10	Ub:19-26V;DC;Phal:3.5VA;S-el:3
	accessory/special 1.000	L0052025	ABB CAF 6-11M	H1S;Us:500V;Ps:440V/5.5KW 230VAC 4A 1S10
-85K2 +E3S	contactor/relay 1.000	L0052532	SCHRACK MT221024-25651111	Ub:20-34V;DC;Phal:1.2VA;S-el:2
	accessory/special 1.000	L0720852	KARL LUMBERG 108 PGS	W;Us:250V;Ps:250V/10A 8POL.,38*67*26MM
-85M1 +R	gear motor AC 1.000	L0051408	GETRIEBEBAU NORD SK400SUF-63L/4BRE4	3ph;415V+/-10%50/60HZ,180W, BRA KE230V;7Nm;6.75:1
-100A1 +DT5		1.000	L0066226	
-100A1-H21.1 +DT5	bulb/led 1.000	L0752219	MURRELEKTRONIK LED	24V;UC;0.3 (0.24)W
-100A1-H21.2 +DT5	bulb/led 1.000	L0752219	MURRELEKTRONIK LED	24V;UC;0.3 (0.24)W

filter: (not ("I"\$GERAET) and (SYMBOLTYP&lt;&gt;"7") and (SYMBOLTYP&lt;

(C) De La Rue Giori S.A.

format: GLGBNH

desig: A233HANS

dated: 16.7.1997

page:59

next page:60

## EQUIPMENT LIST

machine number: 621007un

high item designation: =R

item inst.place	designation quantity	part.no.	manufacturer type/order no.	technical data
-100A1-H22.1 +DT5	bulb/led 1.000	L0752219	MURRELEKTRONIK LED	24V;UC;0.3 (0.24)W
-100A1-H22.2 +DT5	bulb/led 1.000	L0752219	MURRELEKTRONIK LED	24V;UC;0.3 (0.24)W
-100A1-H23.1 +DT5	bulb/led 1.000	L0752219	MURRELEKTRONIK LED	24V;UC;0.3 (0.24)W
-100A1-H23.2 +DT5	bulb/led 1.000	L0752219	MURRELEKTRONIK LED	24V;UC;0.3 (0.24)W
-100A1-H24.1 +DT5	bulb/led 1.000	L0752219	MURRELEKTRONIK LED	24V;UC;0.3 (0.24)W
-100A1-H24.2 +DT5	bulb/led 1.000	L0752219	MURRELEKTRONIK LED	24V;UC;0.3 (0.24)W
-100A1-H25.1 +DT5	bulb/led 1.000	L0752219	MURRELEKTRONIK LED	24V;UC;0.3 (0.24)W
-100A1-H25.2 +DT5	bulb/led 1.000	L0752219	MURRELEKTRONIK LED	24V;UC;0.3 (0.24)W
-100A1-H26.1 +DT5	bulb/led 1.000	L0752219	MURRELEKTRONIK LED	24V;UC;0.3 (0.24)W
-100A1-H26.2 +DT5	bulb/led 1.000	L0752219	MURRELEKTRONIK LED	24V;UC;0.3 (0.24)W
-100A1-H27.1 +DT5	bulb/led 1.000	L0752219	MURRELEKTRONIK LED	24V;UC;0.3 (0.24)W
-100A1-H27.2 +DT5	bulb/led 1.000	L0752219	MURRELEKTRONIK LED	24V;UC;0.3 (0.24)W
-100A1-H28.1 +DT5	bulb/led 1.000	L0752219	MURRELEKTRONIK LED	24V;UC;0.3 (0.24)W
-100A1-H28.2 +DT5	bulb/led 1.000	L0752219	MURRELEKTRONIK LED	24V;UC;0.3 (0.24)W
-100A1-H37 +DT5	signal lamp/holder 1.000	L0751777	ELAN EMLH ROT	24V;UC;2W;BA9S
	signal lamp/holder 1.000	L0751784	ELAN EL 0280190	250V;UC;BA9S
	bulb/led 1.000	L0752327	BARTHELME KRI/23	BA9S;30V;2W
-100A1-S11 +DT5	switch/knob button 1.000	L0751719	ELAN EDRR40RT+EFR	22.5
	contact element 1.000	L0751742	ELAN EF220.1	22.5;400VAC;4A
	shield 1.000	L0751767	ELAN MDP-8	d:22.5mm
-100A1-S12 +DT5	switch/knob button 1.000	L0751805	ELAN EDT KB	22.5
	contact element 1.000	L0751781	ELAN EF103.1	22.5;230VAC;10A
	shield 1.000	L0840999	ELAN E-KB-9.1	d:18.9mm
-100A1-S13 +DT5	switch/knob button 1.000	L0751805	ELAN EDT KB	22.5
	contact element 1.000	L0751781	ELAN EF103.1	22.5;230VAC;10A
	shield 1.000	L0840999	ELAN E-KB-9.1	d:18.9mm
-100A1-S14 +DT5	switch/knob button 1.000	L0751805	ELAN EDT KB	22.5
	contact element 1.000	L0751781	ELAN EF103.1	22.5;230VAC;10A

filter: (not ("I"\$GERAET)and(SYMBOLTYP&lt;&gt;"7")and(SYMBOLTYP&lt; (C) De La Rue Giori S.A.

format: GLGBNH

desig: A233HANS

dated: 16.7.1997

page:60

next page:61

## EQUIPMENT LIST

machine number: 621007un high item designation: =R

item inst.place	designation quantity	part.no.	manufacturer type/order no.	technical data
	shield	1.000 L0840999	ELAN E-KB-9.1	d:18.9mm
-100A1-S15 +DT5	switch/knob button	1.000 L0751705	ELAN EWS21,1KB__2STELLIG	22.5
	contact element	1.000 L0751781	ELAN EF103.1	22.5;230VAC;10A
	shield	1.000 L0840999	ELAN E-KB-9.1	d:18.9mm
-100A1-S16 +DT5	switch/knob button	1.000 L0751705	ELAN EWS21,1KB__2STELLIG	22.5
	contact element	1.000 L0751781	ELAN EF103.1	22.5;230VAC;10A
	shield	1.000 L0840999	ELAN E-KB-9.1	d:18.9mm
-100A1-S17 +DT5	switch/knob button	1.000 L0751805	ELAN EDT KB	22.5
	contact element	1.000 L0751781	ELAN EF103.1	22.5;230VAC;10A
	shield	1.000 L0840999	ELAN E-KB-9.1	d:18.9mm
-100A1-S18 +DT5	switch/knob button	1.000 L0751805	ELAN EDT KB	22.5
	contact element	1.000 L0751781	ELAN EF103.1	22.5;230VAC;10A
	shield	1.000 L0840999	ELAN E-KB-9.1	d:18.9mm
-100A1-S21 +DT5	switch/knob button	1.000 L0751727	ELAN EDL WS KB	22.5
	contact element	1.000 L0751781	ELAN EF103.1	22.5;230VAC;10A
	signal lamp/holder	1.000 L0751784	ELAN EL 0280190	250V;UC;BA9S
	bulb/led	1.000 L0752327	BARTHELME KRI/23	BA9S;30V;2W
	shield	1.000 L0841274	ELAN E-KB-9.0	d:18.9mm
-100A1-S22 +DT5	switch/knob button	1.000 L0751727	ELAN EDL WS KB	22.5
	contact element	1.000 L0751781	ELAN EF103.1	22.5;230VAC;10A
	signal lamp/holder	1.000 L0751784	ELAN EL 0280190	250V;UC;BA9S
	bulb/led	1.000 L0752327	BARTHELME KRI/23	BA9S;30V;2W
	shield	1.000 L0841274	ELAN E-KB-9.0	d:18.9mm
-100A1-S23 +DT5	switch/knob button	1.000 L0751727	ELAN EDL WS KB	22.5
	contact element	1.000 L0751781	ELAN EF103.1	22.5;230VAC;10A
	signal lamp/holder	1.000 L0751784	ELAN EL 0280190	250V;UC;BA9S
	bulb/led	1.000 L0752327	BARTHELME KRI/23	BA9S;30V;2W
	shield	1.000 L0841274	ELAN E-KB-9.0	d:18.9mm
-100A1-S24 +DT5	switch/knob button	1.000 L0751727	ELAN EDL WS KB	22.5
	contact element	1.000 L0751781	ELAN EF103.1	22.5;230VAC;10A
	signal lamp/holder	1.000 L0751784	ELAN EL 0280190	250V;UC;BA9S
	bulb/led	1.000 L0752327	BARTHELME KRI/23	BA9S;30V;2W
	shield	1.000 L0841274	ELAN E-KB-9.0	d:18.9mm

filter: (not ("I"\$GERAET) and (SYMBOLTYP<>"7") and (SYMBOLTYP<

format: GLGBNH

desig: A233HANS

dated: 16.7.1997

page:61

next page:62

(C) De La Rue Giori S.A.



EQUIPMENT LIST machine number: 621007un high item designation: =R

item inst.place	designation quantity part.no.	manufacturer type/order no.	technical data
-100A1-S25 +DT5	switch/knob button	ELAN	22.5
	1.000 L0751727	EDL WS KB	
	contact element	ELAN	22.5;230VAC;10A
	1.000 L0751781	EF103.1	
	signal lamp/holder	ELAN	250V;UC;BA9S
	1.000 L0751784	EL 0280190	
	bulb/led	BARTHELME	BA9S;30V;2W
1.000 L0752327	KRI/23		
shield	ELAN	d:18.9mm	
1.000 L0841274	E-KB-9.0		
-100A1-S26 +DT5	switch/knob button	ELAN	22.5
	1.000 L0751727	EDL WS KB	
	contact element	ELAN	22.5;230VAC;10A
	1.000 L0751781	EF103.1	
	signal lamp/holder	ELAN	250V;UC;BA9S
	1.000 L0751784	EL 0280190	
	bulb/led	BARTHELME	BA9S;30V;2W
1.000 L0752327	KRI/23		
shield	ELAN	d:18.9mm	
1.000 L0841274	E-KB-9.0		
-100A1-S27 +DT5	switch/knob button	ELAN	22.5
	1.000 L0751727	EDL WS KB	
	contact element	ELAN	22.5;230VAC;10A
	1.000 L0751781	EF103.1	
	signal lamp/holder	ELAN	250V;UC;BA9S
	1.000 L0751784	EL 0280190	
	bulb/led	BARTHELME	BA9S;30V;2W
1.000 L0752327	KRI/23		
shield	ELAN	d:18.9mm	
1.000 L0841274	E-KB-9.0		
-100A1-S28 +DT5	switch/knob button	ELAN	22.5
	1.000 L0751727	EDL WS KB	
	contact element	ELAN	22.5;230VAC;10A
	1.000 L0751781	EF103.1	
	signal lamp/holder	ELAN	250V;UC;BA9S
	1.000 L0751784	EL 0280190	
	bulb/led	BARTHELME	BA9S;30V;2W
1.000 L0752327	KRI/23		
shield	ELAN	d:18.9mm	
1.000 L0841274	E-KB-9.0		
-100A1-S31 +DT5	switch/knob button	ELAN	22.5
	1.000 L0751805	EDT KB	
	contact element	ELAN	22.5;230VAC;10A
	1.000 L0751781	EF103.1	
shield	ELAN	d:18.9mm	
1.000 L0840999	E-KB-9.1		
-100A1-S32 +DT5	switch/knob button	ELAN	22.5
	1.000 L0751805	EDT KB	
	contact element	ELAN	22.5;230VAC;10A
	1.000 L0751781	EF103.1	
shield	ELAN	d:18.9mm	
1.000 L0840999	E-KB-9.1		
-100A1-S33 +DT5	switch/knob button	ELAN	22.5
	1.000 L0751805	EDT KB	
	contact element	ELAN	22.5;230VAC;10A
	1.000 L0751781	EF103.1	
shield	ELAN	d:18.9mm	
1.000 L0840999	E-KB-9.1		
-100A1-S34 +DT5	switch/knob button	ELAN	22.5
	1.000 L0751805	EDT KB	
	contact element	ELAN	22.5;230VAC;10A
	1.000 L0751781	EF103.1	
shield	ELAN	d:18.9mm	
1.000 L0840999	E-KB-9.1		
-100A1-S35 +DT5	switch/knob button	ELAN	22.5
	1.000 L0751805	EDT KB	

filter: (not ("I"\$GERAET) and (SYMBOLTYP<>"7") and (SYMBOLTYP< (C) De La Rue Giori S.A.

format: GLGBNH

desig: A233HANS

dated: 16.7.1997

page:62

next page:63

EQUIPMENT LIST		machine number: 621007un		high item designation: =R
item	designation	manufacturer	technical data	
inst.place	quantity part.no.	type/order no.		
	contact element	ELAN	22.5;230VAC;10A	
	1.000 L0751781	EF103.1		
	shield	ELAN	d:18.9mm	
	1.000 L0840999	E-KB-9.1		
-100A1-S36	contact element	ELAN	22.5;400VAC;6A	
+DT5	1.000 L0751738	EF110.1		
	switch/knob button	ELAN	22.5	
	1.000 L0751779	EDR35ROTGB		
-100A1-S38	switch/knob button	ELAN	22.5	
+DT5	1.000 L0751805	EDT KB		
	contact element	ELAN	22.5;230VAC;10A	
	1.000 L0751781	EF103.1		
	shield	ELAN	d:18.9mm	
	1.000 L0840999	E-KB-9.1		
-120F1	fuse cartridge	MAINLAND GMBH	DII;T16A;500V	
+E1S	3.000 L0755440	DIN49515-DIIGL* 16*		
	accessory/special	RITTAL	E27,3POL,42*230MM,F.SV3427	
	1.000 L0754157	SV3428		
	screwed cap	FEGA GMBH	E27;25A;500V	
	3.000 L0754600	DIN49514-DII-500		
	fuse insert	MAINLAND GMBH	E27;16A	
	3.000 L0754740	DIN49516-DII*16		
	fuse holder	RITTAL	E27;3pol;25A;500V	
	1.000 L0754156	SV3427		
-120F2	monitoring device	SIEMENS	19-29V;DC	
+E1S	1.000 L0057781	3UN2100-0AB4		
-120K1	contactor/relay	ABB	Ub:19-26V;DC;Phal:3.5VA;S-el:3	
+E1S	1.000 L0052022	BC7-30-01	H10;Us:500V;Ps:440V/5.5KW	
-120K2	contactor/relay	SCHRACK	Ub:20-34V;DC;Phal:1.2VA;S-el:2	
+E3S	1.000 L0052532	MT221024-25651111	W;Us:250V;Ps:250V/10A	
	accessory/special	KARL LUMBERG	8POL.,38*67*26MM	
	1.000 L0720852	108 PGS		
*-120M1	gear motor AC	SEW EURODRIVE	3ph;240/415V*10%50HZ,2.92/1,69	
+R	1.000 L0051478	S42DT80K4BM/HF/TF	A,550W;60Nm;17.9:1	
*-120N1	frequency convert	SEW EURODRIVE	3ph;Ue:280-460V;f:50/60Hz;Ua:4	
+E1S	1.000 L0052994	1015-403-4-00	00Vfa:2-127Hz;In:4A;P.mot:1.5k	
-120V1	solid state relay	BDT	Ub:24Vf:DChz;Us:24VIs:4A	
+E3S	1.000 L0056085	84-270		
-125S1	accessory/special	HONEYWELL	PG9,53.5*24.5*21MM	
+R	1.000 L0752807	5PA-PG9-1		
	limit/posit.switch	HONEYWELL	380VAC;15A	
	1.000 L0752801	BZ-2RW 82255-A2		
-125S2	accessory/special	HONEYWELL	PG9,53.5*24.5*21MM	
+R	1.000 L0752807	5PA-PG9-1		
	limit/posit.switch	HONEYWELL	380VAC;15A	
	1.000 L0752801	BZ-2RW 82255-A2		
-130B1	proximity switch	IFM ELECTRONIC	0-4mm;10-55V;DC;PNP;1.3kHz	
+R	1.000 L0752932	IN-3004-BPKG/IN5130		
-130B2	proximity switch	BALLUFF	0-3.2mm;10-30V;DC;PNP;0.4kHz	
+R	1.000 L0752957	BES516-356-S4C		
-130B3	proximity switch	IFM ELECTRONIC	0-2mm;10-36V;DC;PNP;0.8kHz	
+R	1.000 L0752895	IS-3002-BPOG+AS-510T		
-130B4	proximity switch	IFM ELECTRONIC	0-2mm;10-36V;DC;PNP;0.8kHz	
+R	1.000 L0752895	IS-3002-BPOG+AS-510T		
-130K1	timing unit	BALLUFF	UB=UE=UA=10...30VDC,IA:<=130MA	
+E3S	1.000 L0052328	BES516-IV2	;17.5mm*90mm*58mm	
-131S1	pressure switch	VOGEL	12bar;250V;250VA	
filter: (not ("I"\$GERAET) and (SYMBOLTYP<>"7") and (SYMBOLTYP<				
format: GLGBNH		desig: A233HANS	(C) De La Rue Giori S.A.	
		dated: 16.7.1997	page:63	next page:64

EQUIPMENT LIST		machine number: 621007un high item designation: =R		
item	designation	manufacturer	technical data	
inst.place	quantity part.no.	type/order no.		
+R 1315)	1.000 L0778610	P66S012M		
-132X1	adapter/plug eleme	MURRELEKTRONIK	Un:24V; In:2 (50VA) A; Ans:8+1	
+R	1.000 L0851090	MVSS-AS-276208		
	plug/socket	MURRELEKTRONIK	5pol.; 250V; 3A; 0.75mm <sup>2</sup> ; M12	
	8.000 L0752978	27635		
-132Y1				
+R	1.000 L6698631			
-135B1	photosensor	WENGLOR SENSORIC	35- 100;10-30VDC;0.6kHz	
+R	1.000 L0053645	HD11PC3		
-135B2	photosensor	WENGLOR SENSORIC	35- 100;10-30VDC;0.6kHz	
+R	1.000 L0053645	HD11PC3		
-135B3	photosensor	WENGLOR SENSORIC	35- 100;10-30VDC;0.6kHz	
+R	1.000 L0053645	HD11PC3		
-135B4	photosensor	WENGLOR SENSORIC	35- 100;10-30VDC;0.6kHz	
+R	1.000 L0053645	HD11PC3		
-135D1	gate/logical eleme	ABB	24V;18mm*120mm*99mm	
+E3S	1.000 L0053522	R412.1		
*-135D2	gate/logical eleme	ABB	24V;20mm*88mm*109mm	
+E3S	1.000 L0053526	SIGMATRONIC B-R427.1		
-135D3	gate/logical eleme	ABB	24V;20mm*88mm*109mm	
+E3S	1.000 L0053526	SIGMATRONIC B-R427.1		
-135D4	gate/logical eleme	ABB	24V;18mm*120mm*99mm	
+E3S	1.000 L0053522	R412.1		
*-135D5	gate/logical eleme	ABB	24V;18mm*120mm*99mm	
+E3S	1.000 L0053523	R414		
-135D6	gate/logical eleme	ABB	24V;20mm*88mm*109mm	
+E3S	1.000 L0053526	SIGMATRONIC B-R427.1		
-140Y1	solenoid valve	FESTO	24VUC, 4.5W, ED:100%, IP65	
+R1S	1.000 L2670582	MSFG-24-4527		
	solenoid valve	FESTO	24VDC;100%	
	1.000 L2670752	MFH-3-1/8-24VDC 7802		
-140Y2	solenoid valve	FESTO	24VUC, 4.5W, ED:100%, IP65	
+R	1.000 L2670582	MSFG-24-4527		
	solenoid valve	FESTO	24VDC;100%	
	1.000 L2670752	MFH-3-1/8-24VDC 7802		
-145B1	shaft encoder	HENGSTLER	360S/U;GRAY-EX-Code;10-30V;DC;	
+R	1.000 L0053773	RA58-S/0360EK.32KDPG	NPN	
	cable w.plug/socke	HENGSTLER	10/2x0.14/0.5mm <sup>2</sup> ;30m	
	1.000 L0756416	1540122		
-145D1	cpu/memory/funct.u	BDT	PROC.T300;64 CHANNELS, FOR L00	
+E4SD	1.000 L0056076	35TP90	56178	
-145N1	amplifier	BDT	Ub:24VDC; In:5V, FL.BUCHSE; Out:2	
+E3S	1.000 L0056084	84-310	4V/0.5A, FUSE:0.6A	
-145P1	digital display	BDT	Dis:LCD; Ub:24V; Awert:9999; In:B	
+E4SD	1.000 L0056075	84-240	CD-CODE	
-150B1	shaft encoder	HENGSTLER	360S/U;GRAY-EX-Code;10-30V;DC;	
+R	1.000 L0053773	RA58-S/0360EK.32KDPG	NPN	
	cable w.plug/socke	HENGSTLER	10/2x0.14/0.5mm <sup>2</sup> ;15m	
	1.000 L0756415	1540121		
-150D1	cpu/memory/funct.u	BDT	PROC.T300;64 CHANNELS, FOR L00	
+E4SD	1.000 L0056076	35TP90	56178	
-150P1	digital display	BDT	Dis:LCD; Ub:24V; Awert:9999; In:B	
+E4SD	1.000 L0056075	84-240	CD-CODE	
filter: (not ("I"\$GERAET) and (SYMBOLTYP<>"7") and (SYMBOLTYP<			(C) De La Rue Giori S.A.	
format: GLGBNH	desig: A233HANS	dated: 16.7.1997	page:64	next page:65

EQUIPMENT LIST

machine number: 621007un high item designation:

item	designation	manufacturer	technical data
inst.place	quantity	part.no.	type/order no.

## EQUIPMENT LIST

machine number: 621007un high item designation: =S

item inst.place	designation quantity part.no.	manufacturer type/order no.	technical data
-1B1 +S	rotating pulse gen 1.000 L0053548 plug/socket 1.000 L0756370 accessory/special 1.000 L0053533	HEIDENHAIN ROD 426B-00131000RV1 HEIDENHAIN / ABB 29169705 / 505560 BALLUFF BDG-630-03	1000Imp/U; 5V; DC; TTL; 6mm 12pol.; 30V; 0.5A; 0.5mm2; SCHRAUB M? D1=12 D2=3.5 L=5.5
-1L1 +E2S	smoothing choke 1.000 L0052882	ABB GD 805	1ph; 100V; 8A; 100mH
-1M1 +S	motor DC 1.000 L0051710 accessory/special 1.000 L0053549 accessory/special 1.000 L0053551	ABB F9M4R+F9T ABB WAC 25-10-6 - 500933 ABB FPG 401 - 505757	Pn: 0.07kW; nmax: 4000min-1; Ua: 22 V; Ia: 6.4A; Mab: 1.15Nm D1=6 D2=10 L=30 D=110MM, L=64MM, PG9
-1N1 +E2S	speed controller 1.000 L0052973	ABB 05SM8123-95	Un: 95 (40-95) Vf: DCHZ; Ua: -70/+7 0VDC; Ia: 12A; Pn: 2.1kW
-5B1 +S	proximity switch 1.000 L0752957	BALLUFF BES516-356-S4C	0-3.2mm; 10-30V; DC; PNP; 0.4kHz
-5B2 +S	proximity switch 1.000 L0752959	BALLUFF BES516-3019-S4C	0-3.2mm; 10-30V; DC; PNP; 0.4kHz
-5B3 +S	proximity switch 1.000 L0752959	BALLUFF BES516-3019-S4C	0-3.2mm; 10-30V; DC; PNP; 0.4kHz
-5X1 +S	adapter/plug eleme 1.000 L0725322 plug/socket 4.000 L0752978	MURRELEKTRONIK MVSS-J-276047 MURRELEKTRONIK 27635	Un: 24V; In: 2 (50VA) A; Ans: 4+1 5pol.; 250V; 3A; 0.75mm2; M12
-10B1 +S	1.000 im LVS-X		
-10X1 +S	adapter/plug eleme 1.000 L0851090 plug/socket 8.000 L0752977	MURRELEKTRONIK MVSS-AS-276208 MURRELEKTRONIK 27625	Un: 24V; In: 2 (50VA) A; Ans: 8+1 5pol.; 250V; 3A; 0.75mm2
-15F1 +E1S	prot. motor switch 1.000 L0057713 accessory/special 1.000 L0057723	KLOECKNER-MOELLER PKZM1-0,6 KLOECKNER-MOELLER NHI11-PKZM1	0.4-0.6A; 690V UE: 500V, AMAX. 6, 1S10, AQ: 2.5
-15F2 +E1S	filter 1.000 L0052874	MURRELEKTRONIK VG-BC6/24	1ph; 24VAC/24VDC
-15K1 +E1S	contactor/relay 1.000 L0052021 accessory/special 1.000 L0052025	ABB BC7-30-10 ABB CAF 6-11M	Ub: 19-26V; DC; Phal: 3.5VA; S-el: 3 H1S; Us: 500V; Ps: 440V/5.5KW 230VAC 4A 1S10
-15K2 +E3S	contactor/relay 1.000 L0052532 accessory/special 1.000 L0720852	SCHRACK MT221024-25651111 KARL LUMBERG 108 PGS	Ub: 20-34V; DC; Phal: 1.2VA; S-el: 2 W; Us: 250V; Ps: 250V/10A 8POL., 38*67*26MM
-15M1 +S	gear motor AC 1.000 L0051409	GETRIEBEBAU NORD SK400SU-63L/4BRE4	3ph; 415V+/-10%50/60HZ, 180W, BRA KE230V; 14Nm; 15:1
-20B1 +S	proximity switch 1.000 L0752895	IFM ELECTRONIC IS-3002-BPOG+AS-510T	0-2mm; 10-36V; DC; PNP; 0.8kHz
-20B2 +S	proximity switch 1.000 L0752932	IFM ELECTRONIC IN-3004-BPKG/IN5130	0-4mm; 10-55V; DC; PNP; 1.3kHz
-25S1 +S	pressure switch 1.000 L2670640	FESTO PEV-1/4-B NR.10773	1-12bar; 250V; 25VA
-25X1 +S	adapter/plug eleme 1.000 L0851090	MURRELEKTRONIK MVSS-AS-276208	Un: 24V; In: 2 (50VA) A; Ans: 8+1

filter: (not ("I"\$GERAET) and (SYMBOLTYP&lt;&gt;"7") and (SYMBOLTYP&lt; (C) De La Rue Giori S.A.

format: GLGBNH

desig: A233HANS

dated: 16.7.1997

page: 66

next page: 67

EQUIPMENT LIST machine number: 621007un high item designation: =S

item inst.place	designation quantity part.no.	manufacturer type/order no.	technical data
	plug/socket 8.000 L0752978	MURRELEKTRONIK 27635	5pol.; 250V; 3A; 0.75mm <sup>2</sup> ; M12
-30V1 +E3S	solid state relay 1.000 L0056085	BDT 84-270	Ub:24Vf:DCHz;Us:24VIs:4A
-30V2 +E3S	solid state relay 1.000 L0056085	BDT 84-270	Ub:24Vf:DCHz;Us:24VIs:4A
-30Y1 +S	solenoid valve 1.000 L0059114	FESTO MSFG-24-OD-34411	24VUC, 4.5W, ED:100%, IP65
-30Y2 +S	solenoid valve 1.000 L0059114	FESTO MSFG-24-OD-34411	24VUC, 4.5W, ED:100%, IP65
-30Y3 +S	1.000 L6645990		
-80A1 +DT6	1.000 L0066227		
-80A1-H21 +DT6	signal lamp/holder 1.000 L0751778	ELAN EMLH GRUEN	24V;UC;2W;BA9S
	signal lamp/holder 1.000 L0751784	ELAN EL 0280190	250V;UC;BA9S
	bulb/led 1.000 L0752327	BARTHELME KRI/23	BA9S;30V;2W
-80A1-H26 +DT6	signal lamp/holder 1.000 L0751777	ELAN EMLH ROT	24V;UC;2W;BA9S
	signal lamp/holder 1.000 L0751784	ELAN EL 0280190	250V;UC;BA9S
	bulb/led 1.000 L0752327	BARTHELME KRI/23	BA9S;30V;2W
-80A1-S11 +DT6	switch/knob button 1.000 L0751706	ELAN EWT32,1KB_3STELLIG	22.5
	contact element 1.000 L0751781	ELAN EF103.1	22.5;230VAC;10A
	shield 1.000 L0840999	ELAN E-KB-9.1	d:18.9mm
	contact element 1.000 L0751782	ELAN EF103.2	22.5;230VAC;10A
-80A1-S12 +DT6	switch/knob button 1.000 L0751727	ELAN EDL WS KB	22.5
	signal lamp/holder 1.000 L0751784	ELAN EL 0280190	250V;UC;BA9S
	contact element 1.000 L0751781	ELAN EF103.1	22.5;230VAC;10A
	bulb/led 1.000 L0752327	BARTHELME KRI/23	BA9S;30V;2W
	shield 1.000 L0841274	ELAN E-KB-9.0	d:18.9mm
-80A1-S13 +DT6	switch/knob button 1.000 L0751727	ELAN EDL WS KB	22.5
	signal lamp/holder 1.000 L0751784	ELAN EL 0280190	250V;UC;BA9S
	contact element 1.000 L0751781	ELAN EF103.1	22.5;230VAC;10A
	bulb/led 1.000 L0752327	BARTHELME KRI/23	BA9S;30V;2W
	shield 1.000 L0841274	ELAN E-KB-9.0	d:18.9mm
-80A1-S14 +DT6	switch/knob button 1.000 L0751727	ELAN EDL WS KB	22.5
	signal lamp/holder 1.000 L0751784	ELAN EL 0280190	250V;UC;BA9S
	contact element 1.000 L0751781	ELAN EF103.1	22.5;230VAC;10A
	bulb/led 1.000 L0752327	BARTHELME KRI/23	BA9S;30V;2W

filter: (not ("I" \$GERAET) and (SYMBOLTYP <> "7") and (SYMBOLTYP < (C) De La Rue Giori S.A.

format: GLGBNH

desig: A233HANS

dated: 16.7.1997

page: 67

next page: 68

EQUIPMENT LIST machine number: 621007un high item designation: =S

item inst.place	designation quantity part.no.	manufacturer type/order no.	technical data
	shield 1.000 L0841274	ELAN E-KB-9.0	d:18.9mm
-80A1-S15 +DT6	switch/knob button 1.000 L0751727	ELAN EDL WS KB	22.5
	signal lamp/holder 1.000 L0751784	ELAN EL 0280190	250V;UC;BA9S
	contact element 1.000 L0751781	ELAN EF103.1	22.5;230VAC;10A
	bulb/led 1.000 L0752327	BARTHELME KRI/23	BA9S;30V;2W
	shield 1.000 L0841274	ELAN E-KB-9.0	d:18.9mm
-80A1-S16 +DT6	switch/knob button 1.000 L0751727	ELAN EDL WS KB	22.5
	signal lamp/holder 1.000 L0751784	ELAN EL 0280190	250V;UC;BA9S
	contact element 1.000 L0751781	ELAN EF103.1	22.5;230VAC;10A
	bulb/led 1.000 L0752327	BARTHELME KRI/23	BA9S;30V;2W
	shield 1.000 L0841274	ELAN E-KB-9.0	d:18.9mm
-80A1-S17 +DT6	switch/knob button 1.000 L0751727	ELAN EDL WS KB	22.5
	signal lamp/holder 1.000 L0751784	ELAN EL 0280190	250V;UC;BA9S
	contact element 1.000 L0751781	ELAN EF103.1	22.5;230VAC;10A
	bulb/led 1.000 L0752327	BARTHELME KRI/23	BA9S;30V;2W
	shield 1.000 L0841274	ELAN E-KB-9.0	d:18.9mm
-80A1-S22 +DT6	switch/knob button 1.000 L0751727	ELAN EDL WS KB	22.5
	signal lamp/holder 1.000 L0751784	ELAN EL 0280190	250V;UC;BA9S
	contact element 1.000 L0751781	ELAN EF103.1	22.5;230VAC;10A
	bulb/led 1.000 L0752327	BARTHELME KRI/23	BA9S;30V;2W
	shield 1.000 L0841274	ELAN E-KB-9.0	d:18.9mm
-80A1-S23 +DT6	switch/knob button 1.000 L0751727	ELAN EDL WS KB	22.5
	signal lamp/holder 1.000 L0751784	ELAN EL 0280190	250V;UC;BA9S
	contact element 1.000 L0751781	ELAN EF103.1	22.5;230VAC;10A
	bulb/led 1.000 L0752327	BARTHELME KRI/23	BA9S;30V;2W
	shield 1.000 L0841274	ELAN E-KB-9.0	d:18.9mm
-80A1-S24 +DT6	switch/knob button 1.000 L0751727	ELAN EDL WS KB	22.5
	signal lamp/holder 1.000 L0751784	ELAN EL 0280190	250V;UC;BA9S
	contact element 1.000 L0751781	ELAN EF103.1	22.5;230VAC;10A
	bulb/led 1.000 L0752327	BARTHELME KRI/23	BA9S;30V;2W
	shield 1.000 L0841274	ELAN E-KB-9.0	d:18.9mm
-80A1-S27 +DT6	switch/knob button 1.000 L0751805	ELAN EDT KB	22.5
	contact element 1.000 L0751781	ELAN EF103.1	22.5;230VAC;10A
	shield 1.000 L0841274	ELAN E-KB-9.0	d:18.9mm

filter: (not ("I"\$GERAET) and (SYMBOLTYP<>"7") and (SYMBOLTYP< (C) De La Rue Giori S.A.

format: GLGBNH

desig: A233HANS

dated: 16.7.1997

page:68

next page:69

EQUIPMENT LIST machine number: 621007un high item designation: =S

item inst.place	designation quantity	part.no.	manufacturer type/order no.	technical data
	1.000	L0840999	E-KB-9.1	
-80A1-S31 +DT6	switch/knob button	ELAN		22.5
	1.000	L0751719	EDRR40RT+EFR	
	shield	ELAN		d:22.5mm
	1.000	L0751767	MDP-8	
	contact element	ELAN		22.5;400VAC;4A
	1.000	L0751742	EF220.1	
-80A1-S32 +DT6	switch/knob button	ELAN		22.5
	1.000	L0751727	EDL WS KB	
	signal lamp/holder	ELAN		250V;UC;BA9S
	1.000	L0751784	EL 0280190	
	contact element	ELAN		22.5;230VAC;10A
	1.000	L0751781	EF103.1	
	bulb/led	BARTHELME		BA9S;30V;2W
	1.000	L0752327	KRI/23	
	shield	ELAN		d:18.9mm
	1.000	L0841274	E-KB-9.0	
-80A1-S33 +DT6	switch/knob button	ELAN		22.5
	1.000	L0751727	EDL WS KB	
	signal lamp/holder	ELAN		250V;UC;BA9S
	1.000	L0751784	EL 0280190	
	contact element	ELAN		22.5;230VAC;10A
	1.000	L0751781	EF103.1	
	bulb/led	BARTHELME		BA9S;30V;2W
	1.000	L0752327	KRI/23	
	shield	ELAN		d:18.9mm
	1.000	L0841274	E-KB-9.0	
-80A1-S34 +DT6	switch/knob button	ELAN		22.5
	1.000	L0751727	EDL WS KB	
	signal lamp/holder	ELAN		250V;UC;BA9S
	1.000	L0751784	EL 0280190	
	contact element	ELAN		22.5;230VAC;10A
	1.000	L0751781	EF103.1	
	bulb/led	BARTHELME		BA9S;30V;2W
	1.000	L0752327	KRI/23	
	shield	ELAN		d:18.9mm
	1.000	L0841274	E-KB-9.0	
-80A1-S35 +DT6	switch/knob button	ELAN		22.5
	1.000	L0751805	EDT KB	
	contact element	ELAN		22.5;230VAC;10A
	1.000	L0751781	EF103.1	
	shield	ELAN		d:18.9mm
	1.000	L0840999	E-KB-9.1	
-80A1-S36 +DT6	contact element	ELAN		22.5;400VAC;6A
	1.000	L0751738	EF110.1	
	switch/knob button	ELAN		22.5
	1.000	L0751779	EDR35ROTKB	
-80A1-S37 +DT6	switch/knob button	ELAN		22.5
	1.000	L0751805	EDT KB	
	contact element	ELAN		22.5;230VAC;10A
	1.000	L0751781	EF103.1	
	shield	ELAN		d:18.9mm
	1.000	L0840999	E-KB-9.1	
-80A1-S38 +DT6	contact element	ELAN		22.5;230VAC;10A
	1.000	L0751781	EF103.1	
	switch/knob button	ELAN		22.5
	1.000	L0751805	EDT KB	
	shield	ELAN		d:18.9mm
	1.000	L0840999	E-KB-9.1	
-W20B2 +S	cable duct	MURRPLASTIK		25mm*100mm*25mm
	21.000	L0843925	MP2001	
	cable duct	MURRPLASTIK/BALLUFF		25mm*20mm*40mm
	1.000	L0843926	KA2001-BG/20011	
	cable duct	MURRPLASTIK/BALLUFF		25mm*23mm*40mm
	1.000	L0843927	KA2001-BZ/20012	

filter: (not ("I"\$GERAET) and (SYMBOLTYP<>"7") and (SYMBOLTYP< (C) De La Rue Giori S.A.



EQUIPMENT LIST

machine number: 621007un high item designation:

item	designation	manufacturer	technical data
inst.place	quantity	part.no.	type/order no.

## EQUIPMENT LIST

machine number: 621007un high item designation: =T

item inst.place	designation quantity part.no.	manufacturer type/order no.	technical data
-10F2 +T1S	prot.motor switch 1.000 L0057719 accessory/special 1.000 L0057723	KLOECKNER-MOELLER PKZM1-10 KLOECKNER-MOELLER NH111-PKZM1	6-10A;690V UE:500V,AMAX.6,1S10,AQ:2.5
-10T2 +T1S	1.000 4AM9941-		
-11D1 +T1S	cpu/memory/funct.u 1.000 L0055976	ABB 07KT93R161	ARC./CS31;24VDC,ARCNET,24/16BI N.IN-/OUTPUT
-11R7 +T1S	resistor 1.000 L0058243	SPOERLE PR01	120Ohm5%;1W
-12D1 +T1S	in-/output unit 1.000 L0055977	ABB ICDG32L1	CS31;16IN-,8OUT-PUTS,0.5A,8I/O
-13D1 +T1S	in-/output unit 1.000 L0055977	ABB ICDG32L1	CS31;16IN-,8OUT-PUTS,0.5A,8I/O
-14D1 +T1S	in-/output unit 1.000 L0055977	ABB ICDG32L1	CS31;16IN-,8OUT-PUTS,0.5A,8I/O
-14R7 +T1S	resistor 1.000 L0058243	SPOERLE PR01	120Ohm5%;1W
-21B1 +T	photosensor 1.000 L0053645 cable w.plug/socke 1.000 L0752937	WENGLOR SENSORIC HD11PC3 BALLUFF BKS-S20-8PU-10	35- 100;10-30VDC;0.6kHz 4x0.25mm2;10m
-21B2 +T	proximity switch 1.000 L0752957 cable w.plug/socke 1.000 L0752944	BALLUFF BES516-356-S4C BALLUFF BKS-S20-8PU-05	0-3.2mm;10-30V;DC;PNP;0.4kHz 4x0.25mm2;5m
*-21B3 +T	<i>indicator</i> 1.000 L2349220		
-21B7 +T	proximity switch 1.000 L0752957 cable w.plug/socke 1.000 L0752944	BALLUFF BES516-356-S4C BALLUFF BKS-S20-8PU-05	0-3.2mm;10-30V;DC;PNP;0.4kHz 4x0.25mm2;5m
-21Y5 +T	solenoid valve 2.000 L0059114 cable w.plug/socke 2.000 L0850990	FESTO MSFG-24-OD-34411 MURRELEKTRONIK MSUD-3124429	24VUC,4.5W,ED:100%,IP65 3x0.75mm2;GNGE;5m
-24K8 +T1S	contactor/relay 1.000 L0052512 accessory/special 1.000 L0720097	WAGO 286-304/002-000 WAGO 280-609	Ub:24V;DC;Phal:0.53VA;S-el:1W; Us:250V;Ps:250V/7A 2*6POLS 0.08-2.5MM2
-25B2 +T	magnetic switch 1.000 L0752980 cable w.plug/socke 1.000 L0752955	BALLUFF BMF 32M-NS-C2-S49 BALLUFF BKS-S49-4-PU-05	10-30VDC;0.02kHz 3x0.25mm2;5m
-25B3 +T	magnetic switch 1.000 L0752980 cable w.plug/socke 1.000 L0752955	BALLUFF BMF 32M-NS-C2-S49 BALLUFF BKS-S49-4-PU-05	10-30VDC;0.02kHz 3x0.25mm2;5m
-25B5 +T	photosensor 1.000 L0053392	WENGLOR SENSORIC HW11PC3	35- 100;10-30VDC;0.6kHz
-25B6 +T	photosensor 1.000 L0053431	WEKO 7734+7737+4206+20	0- 250;0-30VDC
-25N1 +T	1.000 L0053437		
-25Y1	solenoid valve	FESTO	24VUC,4.5W,ED:100%,IP65

filter: (not ("I"\$GERAET) and (SYMBOLTYP&lt;&gt;"7") and (SYMBOLTYP&lt;

(C) De La Rue Giori S.A.

format: GLGBNH

desig: A233HANS

dated: 16.7.1997

page:71

next page:72

EQUIPMENT LIST machine number: 621007un high item designation: =T

item designation manufacturer technical data  
inst.place quantity part.no. type/order no.

+T 1.000 L0059114 MSFG-24-OD-34411  
cable w.plug/socke MURRELEKTRONIK 3x0.75mm2;GNGE;5m  
1.000 L0850990 MSUD-3124429

-26A1  
+DT18 1.000 L0062464

-26A1-H3 signal lamp/holder ELAN 24V;UC;2W;BA9S  
+DT18 1.000 L0751777 EMLH ROT  
signal lamp/holder ELAN 250V;UC;BA9S  
1.000 L0751784 EL 0280190  
bulb/led BARTHELME BA9S;30V;2W  
1.000 L0752338 KRL/23

-26A1-S1 switch/knob button ELAN 22.5  
+DT18 1.000 L0751727 EDL WS KB  
contact element ELAN 22.5;230VAC;10A  
1.000 L0751781 EF103.1  
signal lamp/holder ELAN 250V;UC;BA9S  
1.000 L0751784 EL 0280190  
bulb/led BARTHELME BA9S;30V;2W  
1.000 L0752338 KRL/23

-26A1-S2 switch/knob button ELAN 22.5  
+DT18 1.000 L0751805 EDT KB  
contact element ELAN 22.5;230VAC;10A  
1.000 L0751781 EF103.1

-26A1-S4 contact element ELAN 22.5;400VAC;6A  
+DT18 1.000 L0751738 EF110.1  
switch/knob button ELAN 22.5  
1.000 L0752033 EDR35RT/KB5178

-27B1 magnetic switch BALLUFF 10-30VDC;0.02kHz  
+T 1.000 L0752980 BMF 32M-NS-C2-S49  
cable w.plug/socke BALLUFF 3x0.25mm2;5m  
1.000 L0752955 BKS-S49-4-PU-05

-27B2 magnetic switch BALLUFF 10-30VDC;0.02kHz  
+T 1.000 L0752980 BMF 32M-NS-C2-S49  
cable w.plug/socke BALLUFF 3x0.25mm2;5m  
1.000 L0752955 BKS-S49-4-PU-05

-27B3 proximity switch IFM ELECTRONIC 0-2mm;10-36V;DC;PNP;0.8kHz  
+T 1.000 L0752896 IS-3002-APOG+AS-510T  
cable w.plug/socke BALLUFF 3x0.25mm2;5m  
1.000 L0752955 BKS-S49-4-PU-05

-27Y5 solenoid valve FESTO 24VUC,4.5W,ED:100%,IP65  
+T 2.000 L0059114 MSFG-24-OD-34411  
cable w.plug/socke MURRELEKTRONIK 3x0.75mm2;GNGE;5m  
2.000 L0850990 MSUD-3124429

-30B5 photosensor WENGLOR SENSORIC 35- 100;10-30VDC;0.6kHz  
+T 1.000 L0053645 HD11PC3  
cable w.plug/socke BALLUFF 4x0.25mm2;10m  
1.000 L0752937 BKS-S20-8PU-10

-30F2 prot.motor switch KLOECKNER-MOELLER 0.6-1A;690V  
+T1S 1.000 L0057714 PKZM1-1  
accessory/special KLOECKNER-MOELLER UE:500V,AMAX.6,1S10,AQ:2.5  
1.000 L0057723 NH111-PKZM1

-30F3 filter MURRELEKTRONIK 1ph;24VAC24VDC  
+T1S 1.000 L0052874 VG-BC6/24

-30K3 contactor/relay ABB Ub:19-26V;DC;Phal:3.5VA;S-el:3  
+T1S 1.000 L0052021 BC7-30-10 H1S;Us:500V;Ps:440V/5.5KW

-30M2 gear motor AC SEW EURODRIVE 3ph;240/415V+-10%;1.03/0.6A;12  
+T 1.000 L0051304 R32DT63K4 0W;20Nm;24.33:1

-30Z2 filter MURRELEKTRONIK 3ph;400 +10% MAXVAC50-60Hz;4k  
+T1S 1.000 L0052872 HRC3/022-500 23000 W;0.022kOhm/0.22uF

filter: (not ("I"\$GERAET) and (SYMBOLTYP<>"7") and (SYMBOLTYP< (C) De La Rue Giori S.A.

format: GLGBNH

desig: A233HANS

dated: 16.7.1997

page:72

next page:73

## EQUIPMENT LIST

machine number: 621007un high item designation: =T

item inst.place	designation quantity part.no.	manufacturer type/order no.	technical data
-33B2 +T	1.000 L2349220		
-33B3 +T	1.000 L2349220		
-33Y5 +T	solenoid valve 2.000 L0059114 cable w.plug/socke 2.000 L0850990	FESTO MSFG-24-OD-34411 MURRELEKTRONIK MSUD-3124429	24VUC, 4.5W, ED:100%, IP65 3x0.75mm2;GNGE;5m
-36B2 +T	magnetic switch 1.000 L0752980 cable w.plug/socke 1.000 L0752955	BALLUFF BMF 32M-NS-C2-S49 BALLUFF BKS-S49-4-PU-05	10-30VDC;0.02kHz 3x0.25mm2;5m
-36Y3 +T	solenoid valve 2.000 L0059114 cable w.plug/socke 2.000 L0850990	FESTO MSFG-24-OD-34411 MURRELEKTRONIK MSUD-3124429	24VUC, 4.5W, ED:100%, IP65 3x0.75mm2;GNGE;5m
-36Y5 +T	solenoid valve 1.000 L0059114 cable w.plug/socke 1.000 L0850990	FESTO MSFG-24-OD-34411 MURRELEKTRONIK MSUD-3124429	24VUC, 4.5W, ED:100%, IP65 3x0.75mm2;GNGE;5m
-39F2 +T1S	prot.motor switch 1.000 L0057719 accessory/special 1.000 L0057723	KLOECKNER-MOELLER PKZM1-10 KLOECKNER-MOELLER NHI11-PKZM1	6-10A;690V UE:500V, AMAX.6, 1S10, AQ:2.5
-39K3 +T1S	contactor/relay 1.000 L0052512 accessory/special 1.000 L0720097	WAGO 286-304/002-000 WAGO 280-609	Ub:24V;DC;Phal:0.53VA;S-el:1W; Us:250V;Ps:250V/7A 2*6POLS 0.08-2.5MM2
-39K4 +T1S	contactor/relay 1.000 L0052512 accessory/special 1.000 L0720097	WAGO 286-304/002-000 WAGO 280-609	Ub:24V;DC;Phal:0.53VA;S-el:1W; Us:250V;Ps:250V/7A 2*6POLS 0.08-2.5MM2
-39K5 +T1S	contactor/relay 1.000 L0052512 accessory/special 1.000 L0720097	WAGO 286-304/002-000 WAGO 280-609	Ub:24V;DC;Phal:0.53VA;S-el:1W; Us:250V;Ps:250V/7A 2*6POLS 0.08-2.5MM2
-39P1 +T	1.000 L6641550		
-39P1X +T	accessory 1.000 L0756544 plug/socket elemen 1.000 L0756540	WIELAND 16POL380V16A HARTING VERTRIEB FUE 16POL.400V16A	16POL.380V16A/6POL.380V35A 400V;16A;PE;2.5mm2
-39P2X +T	accessory 1.000 L0756544 plug/socket elemen 1.000 L0756541	WIELAND 16POL380V16A WIELAND ELECTRIC GMB 16POL.400V16A	16POL.380V16A/6POL.380V35A 400V;16A;PE;2.5mm2
-42B1 +T	magnetic switch 1.000 L0752980 cable w.plug/socke 1.000 L0752955	BALLUFF BMF 32M-NS-C2-S49 BALLUFF BKS-S49-4-PU-05	10-30VDC;0.02kHz 3x0.25mm2;5m
-42B2 +T	magnetic switch 1.000 L0752980 cable w.plug/socke 1.000 L0752955	BALLUFF BMF 32M-NS-C2-S49 BALLUFF BKS-S49-4-PU-05	10-30VDC;0.02kHz 3x0.25mm2;5m
-42Y5 +T	solenoid valve 2.000 L0059114 cable w.plug/socke 2.000 L0850990	FESTO MSFG-24-OD-34411 MURRELEKTRONIK MSUD-3124429	24VUC, 4.5W, ED:100%, IP65 3x0.75mm2;GNGE;5m

filter: (not ("I"\$GERAET) and (SYMBOLTYP&lt;&gt;"7") and (SYMBOLTYP&lt; (C) De La Rue Giori S.A.

format: GLGBNH

desig: A233HANS

dated: 16.7.1997

page:73

next page:74

## EQUIPMENT LIST

machine number: 621007un high item designation: =T

item inst.place	designation quantity part.no.	manufacturer type/order no.	technical data
-45B2 +T	magnetic switch 1.000 L0752980 cable w.plug/socke 1.000 L0752955	BALLUFF BMF 32M-NS-C2-S49 BALLUFF BKS-S49-4-PU-05	10-30VDC;0.02kHz 3x0.25mm2;5m
-45Y3 +T	solenoid valve 2.000 L0059114 cable w.plug/socke 2.000 L0850990	FESTO MSFG-24-OD-34411 MURRELEKTRONIK MSUD-3124429	24VUC, 4.5W, ED:100%, IP65 3x0.75mm2;GNGE;5m
-45Y5 +T	solenoid valve 1.000 L0059114 cable w.plug/socke 1.000 L0850990	FESTO MSFG-24-OD-34411 MURRELEKTRONIK MSUD-3124429	24VUC, 4.5W, ED:100%, IP65 3x0.75mm2;GNGE;5m
-48F2 +T1S	prot.motor switch 1.000 L0057719 accessory/special 1.000 L0057723	KLOECKNER-MOELLER PKZM1-10 KLOECKNER-MOELLER NH111-PKZM1	6-10A;690V UE:500V,AMAX.6,1S10,AQ:2.5
-48K3 +T1S	contactor/relay 1.000 L0052512 accessory/special 1.000 L0720097	WAGO 286-304/002-000 WAGO 280-609	Ub:24V;DC;Phal:0.53VA;S-el:1W; Us:250V;Ps:250V/7A 2*6POLS 0.08-2.5MM2
-48K4 +T1S	contactor/relay 1.000 L0052512 accessory/special 1.000 L0720097	WAGO 286-304/002-000 WAGO 280-609	Ub:24V;DC;Phal:0.53VA;S-el:1W; Us:250V;Ps:250V/7A 2*6POLS 0.08-2.5MM2
-48K5 +T1S	contactor/relay 1.000 L0052512 accessory/special 1.000 L0720097	WAGO 286-304/002-000 WAGO 280-609	Ub:24V;DC;Phal:0.53VA;S-el:1W; Us:250V;Ps:250V/7A 2*6POLS 0.08-2.5MM2
-48P1 +T	1.000 L6641550		
-48P1X +T	accessory 1.000 L0756544 plug/socket elemen 1.000 L0756540	WIELAND 16POL380V16A HARTING VERTRIEB FUE 16POL.400V16A	16POL.380V16A/6POL.380V35A 400V;16A;PE;2.5mm2
-48P2X +T	accessory 1.000 L0756544 plug/socket elemen 1.000 L0756541	WIELAND 16POL380V16A WIELAND ELECTRIC GMB 16POL.400V16A	16POL.380V16A/6POL.380V35A 400V;16A;PE;2.5mm2
-51B1 +T	magnetic switch 1.000 L0752980 cable w.plug/socke 1.000 L0752955	BALLUFF BMF 32M-NS-C2-S49 BALLUFF BKS-S49-4-PU-05	10-30VDC;0.02kHz 3x0.25mm2;5m
-51B2 +T	magnetic switch 1.000 L0752980 cable w.plug/socke 1.000 L0752955	BALLUFF BMF 32M-NS-C2-S49 BALLUFF BKS-S49-4-PU-05	10-30VDC;0.02kHz 3x0.25mm2;5m
-51Y5 +T	solenoid valve 2.000 L0059114 cable w.plug/socke 2.000 L0850990	FESTO MSFG-24-OD-34411 MURRELEKTRONIK MSUD-3124429	24VUC, 4.5W, ED:100%, IP65 3x0.75mm2;GNGE;5m
-54F1 +T1S	filter 1.000 L0052874	MURRELEKTRONIK VG-BC6/24	1ph;24VAC24VDC
-54F2 +T1S	filter 1.000 L0052874	MURRELEKTRONIK VG-BC6/24	1ph;24VAC24VDC
-54K3 +T1S	contactor/relay 1.000 L0052021	ABB BC7-30-10	Ub:19-26V;DC;Phal:3.5VA;S-el:3 H1S;Us:500V;Ps:440V/5.5KW
-54K4 +T1S	contactor/relay 1.000 L0052512	WAGO 286-304/002-000	Ub:24V;DC;Phal:0.53VA;S-el:1W; Us:250V;Ps:250V/7A

filter: (not ("I"\$GERAET) and (SYMBOLTYP&lt;&gt;"7") and (SYMBOLTYP&lt; (C) De La Rue Giori S.A.

format: GLGBNH

desig: A233HANS

dated: 16.7.1997

page:74

next page:75

## EQUIPMENT LIST

machine number: 621007un high item designation: =T

item inst.place	designation quantity part.no.	manufacturer type/order no.	technical data
	accessory/special 1.000 L0720097	WAGO 280-609	2*6POLS 0.08-2.5MM2
-54K5 +T1S	contactor/relay 1.000 L0052512 accessory/special 1.000 L0720097	WAGO 286-304/002-000 WAGO 280-609	Ub:24V;DC;Phal:0.53VA;S-el:1W; Us:250V;Ps:250V/7A 2*6POLS 0.08-2.5MM2
-54K6 +T1S	contactor/relay 1.000 L0052512 accessory/special 1.000 L0720097	WAGO 286-304/002-000 WAGO 280-609	Ub:24V;DC;Phal:0.53VA;S-el:1W; Us:250V;Ps:250V/7A 2*6POLS 0.08-2.5MM2
-54K7 +T1S	contactor/relay 1.000 L0052512 accessory/special 1.000 L0720097	WAGO 286-304/002-000 WAGO 280-609	Ub:24V;DC;Phal:0.53VA;S-el:1W; Us:250V;Ps:250V/7A 2*6POLS 0.08-2.5MM2
-54K8 +T1S	contactor/relay 1.000 L0052021 filter 1.000 L0052874	ABB BC7-30-10 MURRELEKTRONIK VG-BC6/24	Ub:19-26V;DC;Phal:3.5VA;S-el:3 H1S;Us:500V;Ps:440V/5.5KW 1ph;24VAC24VDC
* 54M1 +T	gear motor AC 1.000 L0051352	GEORGII KOBOLD KOD-325-1MB/S64/G71	3ph;240/415V,50HZ,0.64/0.37A,1 20W;5.5Nm;14:1
* -54N4 +T1S	frequency converte 1.000 L0052998 accessory/special 1.000 L0052999	SEW EURODRIVE 0504-231-1-00 SEW EURODRIVE FBG01	1ph;Ue:184-264V;f:45-66Hz;Ua:0 -230Vfa:0-400Hz;In:1.9A;P.mot: 65*120*21MM,F.L0052998
* -54N5 +T1S	accessory/special 1.000 L0052988	SEW EURODRIVE BRC02	1500W,2.4A,162 OHM
-54R6 +T1S	resistor 1.000 L0058224 rack 1.000 L0720880	DRALORIC LCA0719 LUETZE MPE-9	1K20hm5%;1W 45mm*77mm*45mm
-54R7 +T1S	resistor 1.000 L0058224 rack 1.000 L0720880	DRALORIC LCA0719 LUETZE MPE-9	1K20hm5%;1W 45mm*77mm*45mm
-55B2 +T	proximity switch 1.000 L0752989 cable w.plug/socke 1.000 L0752944	IFM ELECTRONIC IF-5542 BALLUFF BKS-S20-8PU-05	0-2mm;18-36V;DC;PNP;0.8kHz 4x0.25mm2;5m
-55B3 +T	proximity switch 1.000 L0752989 cable w.plug/socke 1.000 L0752944	IFM ELECTRONIC IF-5542 BALLUFF BKS-S20-8PU-05	0-2mm;18-36V;DC;PNP;0.8kHz 4x0.25mm2;5m
-55B4 +T	proximity switch 1.000 L0752989 cable w.plug/socke 1.000 L0752944	IFM ELECTRONIC IF-5542 BALLUFF BKS-S20-8PU-05	0-2mm;18-36V;DC;PNP;0.8kHz 4x0.25mm2;5m
-55B5 +T	proximity switch 1.000 L0752989 cable w.plug/socke 1.000 L0752944	IFM ELECTRONIC IF-5542 BALLUFF BKS-S20-8PU-05	0-2mm;18-36V;DC;PNP;0.8kHz 4x0.25mm2;5m
-55B6 +T	proximity switch 1.000 L0752989 cable w.plug/socke 1.000 L0752944	IFM ELECTRONIC IF-5542 BALLUFF BKS-S20-8PU-05	0-2mm;18-36V;DC;PNP;0.8kHz 4x0.25mm2;5m
-57B1 +T	magnetic switch 1.000 L0752980 cable w.plug/socke 1.000 L0752955	BALLUFF BMF 32M-NS-C2-S49 BALLUFF BKS-S49-4-PU-05	10-30VDC;0.02kHz 3x0.25mm2;5m

filter: (not ("I"\$GERAET)and(SYMBOLTYP&lt;&gt;"7")and(SYMBOLTYP&lt;

(C) De La Rue Giori S.A.

format: GLGBNH

desig: A233HANS

dated: 16.7.1997

page:75

next page:76

## EQUIPMENT LIST

machine number: 621007un high item designation: -T

item inst.place	designation quantity part.no.	manufacturer type/order no.	technical data
-57B2 +T	magnetic switch 1.000 L0752980 cable w.plug/socke 1.000 L0752955	BALLUFF BMF 32M-NS-C2-S49 BALLUFF BKS-S49-4-PU-05	10-30VDC;0.02kHz 3x0.25mm2;5m
-57Y5 +T	solenoid valve 2.000 L0059114 cable w.plug/socke 2.000 L0850990	FESTO MSFG-24-OD-34411 MURRELEKTRONIK MSUD-3124429	24VUC, 4.5W, ED:100%, IP65 3x0.75mm2;GNGE;5m
-60B5 +T	photosensor 1.000 L0053461 accessory/special 1.000 L0053469	DATALOGIC S5-5-A2-35 G5210235 DATALOGIC R2 9001038	0- 2000;10-30VERPOLUNGSSICHERV DC;PNP/NPN;0.2kHz 86*63*8MM,D=48MM
-60F2 +T1S	prot.motor switch 1.000 L0057714 accessory/special 1.000 L0057723	KLOECKNER-MOELLER PKZM1-1 KLOECKNER-MOELLER NHI11-PKZM1	0.6-1A;690V UE:500V,AMAX.6,1S10,AQ:2.5
-60F3 +T1S	filter 1.000 L0052874	MURRELEKTRONIK VG-BC6/24	1ph;24VAC24VDC
-60K3 +T1S	contactor/relay 1.000 L0052021	ABB BC7-30-10	Ub:19-26V;DC;Phal:3.5VA;S-el:3 H1S;Us:500V;Ps:440V/5.5KW
-60M2 +T	gear motor AC 1.000 L0051304	SEW EURODRIVE R32DT63K4	3ph;240/415V+-10%;1.03/0.6A;12 0W;20Nm;24.33:1
-60S1 +T	limit/posit.switch 1.000 L0752804 accessory/special 1.000 L0752807	HONEYWELL BZ-2RW 855-A2 HONEYWELL 5PA-PG9-1	380VAC;15A PG9,53.5*24.5*21MM
-60Z2 +T1S	filter 1.000 L0052872	MURRELEKTRONIK HRC3/022-500 23000	3ph;400 +10% MAXVAC50-60Hz;4k W;0.022kOhm/0.22uF
-63B2 +T	photosensor 1.000 L0053645 cable w.plug/socke 1.000 L0752937	WENGLOR SENSORIC HD11PC3 BALLUFF BKS-S20-8PU-10	35- 100;10-30VDC;0.6kHz 4x0.25mm2;10m
-63B3 +T	photosensor 1.000 L0053645 cable w.plug/socke 1.000 L0752937	WENGLOR SENSORIC HD11PC3 BALLUFF BKS-S20-8PU-10	35- 100;10-30VDC;0.6kHz 4x0.25mm2;10m
-63E3 +T	accessory/special 1.000 L0752232	PFANNENBERG DWBS WEISS	24VDC, 0.15A, 3.6W, IP54, 1HZ;66mm *235mm*50mm
-63K1 +T1S	contactor/relay 1.000 L0052512 accessory/special 1.000 L0720097	WAGO 286-304/002-000 WAGO 280-609	Ub:24V;DC;Phal:0.53VA;S-el:1W; Us:250V;Ps:250V/7A 2*6POLS 0.08-2.5MM2
-66F2 +T1S	prot.motor switch 1.000 L0057719 accessory/special 1.000 L0057723	KLOECKNER-MOELLER PKZM1-10 KLOECKNER-MOELLER NHI11-PKZM1	6-10A;690V UE:500V,AMAX.6,1S10,AQ:2.5
-67B1 +T	proximity switch 1.000 L0752989	IFM ELECTRONIC IF-5542	0-2mm;18-36V;DC;PNP;0.8kHz
-67B2 +T	magnetic switch 1.000 L0752980	BALLUFF BMF 32M-NS-C2-S49	10-30VDC;0.02kHz
-67Y1 +T	solenoid valve 1.000 L0059114	FESTO MSFG-24-OD-34411	24VUC, 4.5W, ED:100%, IP65
-69P1 +T	digital display 1.000 L0053566	CONTRAVES ZAG15-100PD	Dis:LED;Ub:22-30V;Awert:99999; In:BCD-CODE,HIGH>=11VDC
-70B1 +T	1.000 L0052897		

filter: (not ("I"\$GERAET) and (SYMBOLTYP&lt;&gt;"7") and (SYMBOLTYP&lt; (C) De La Rue Giori S.A.

format: GLGBNH

desig: A233HANS

dated: 16.7.1997

page:76

next page:77

## EQUIPMENT LIST

machine number: 621007un high item designation: -T

item inst.place	designation quantity part.no.	manufacturer type/order no.	technical data
-70B2 +T	1.000 L0052897		
-72S2 +T	limit/posit.switch 1.000 L0752625	SIEMENS / SSW 3SE3-120-0E	220VAC;10A
-72S3 +T	limit/posit.switch 1.000 L0752625	SIEMENS / SSW 3SE3-120-0E	220VAC;10A
-72S6 +T	limit/posit.switch 1.000 L0752641 accessory/special 1.000 L0752642	SCHMERSAL AZ15ZVRK SCHMERSAL B1	230VAC;4A 56*28*16MM
-72S7 +T	limit/posit.switch 1.000 L0752641 accessory/special 1.000 L0752642	SCHMERSAL AZ15ZVRK SCHMERSAL B1	230VAC;4A 56*28*16MM
-75A1 +DT10	front panel 1.000 L0066490	KBA O.Z.	
-75A1-H18 +DT10	signal lamp/holder 1.000 L0751778 signal lamp/holder 1.000 L0751784 bulb/led 1.000 L0752327	ELAN EMLH GRUEN ELAN EL 0280190 BARTHELME KRI/23	24V;UC;2W;BA9S 250V;UC;BA9S BA9S;30V;2W
-75A1-H19 +DT10	signal lamp/holder 1.000 L0751777 signal lamp/holder 1.000 L0751784 bulb/led 1.000 L0752327	ELAN EMLH ROT ELAN EL 0280190 BARTHELME KRI/23	24V;UC;2W;BA9S 250V;UC;BA9S BA9S;30V;2W
-75A1-S9 +DT10	switch/knob button 1.000 L0751705 contact element 1.000 L0751781 shield 1.000 L0840032 shield 1.000 L0840999	ELAN EWS21,1KB__2STELLIG ELAN EF103.1 KBA N.Z. ELAN E-KB-9.1	22.5 22.5;230VAC;10A d:22.5mm d:18.9mm
-75A1-S10 +DT10	switch/knob button 1.000 L0751705 contact element 1.000 L0751781 shield 1.000 L0840999	ELAN EWS21,1KB__2STELLIG ELAN EF103.1 ELAN E-KB-9.1	22.5 22.5;230VAC;10A d:18.9mm
-75A1-S11 +DT10	switch/knob button 1.000 L0751825 contact element 1.000 L0751781 shield 1.000 L0852359	ELAN EDS13-0270625 ELAN EF103.1 BRAUNE -	22.5 22.5;230VAC;10A d:22.5mm
-75A1-S12 +DT10	switch/knob button 1.000 L0751805 contact element 1.000 L0751781 shield 1.000 L0841047	ELAN EDT KB ELAN EF103.1 ELAN E-KB-9.1	22.5 22.5;230VAC;10A d:18.9mm
-75A1-S13 +DT10	switch/knob button 1.000 L0751805 contact element 1.000 L0751781 shield 1.000 L0841048	ELAN EDT KB ELAN EF103.1 ELAN E-KB-9.1	22.5 22.5;230VAC;10A d:18.9mm
-75A1-S14	switch/knob button	ELAN	22.5

filter: (not ("I"\$GERAET)and(SYMBOLTYP&lt;&gt;"7")and(SYMBOLTYP&lt;

(C) De La Rue Giori S.A.

format: GLGBNH

desig: A233HANS

dated: 16.7.1997

page:77

next page:78



## EQUIPMENT LIST

machine number: 621007un high item designation: =T

item inst.place	designation quantity part.no.	manufacturer type/order no.	technical data
+DT10	1.000 L0751824 contact element	EDS14-0270630 ELAN	22.5;230VAC;10A
	1.000 L0751781	EF103.1	
-75A1-S15 +DT10	switch/knob button 1.000 L0751727	ELAN EDL WS KB	22.5
	contact element 1.000 L0751781	ELAN EF103.1	22.5;230VAC;10A
	signal lamp/holder 1.000 L0751784	ELAN EL 0280190	250V;UC;BA9S
	bulb/led 1.000 L0752327	BARTHELME KRI/23	BA9S;30V;2W
	shield 1.000 L0841274	ELAN E-KB-9.0	d:18.9mm
-75A1-S16 +DT10	switch/knob button 1.000 L0751824	ELAN EDS14-0270630	22.5
	contact element 1.000 L0751781	ELAN EF103.1	22.5;230VAC;10A
	shield 1.000 L0852360	BRAUNE -	d:22.5mm
-75A1-S17 +DT10	contact element 1.000 L0751738	ELAN EF110.1	22.5;400VAC;6A
	switch/knob button 1.000 L0751779	ELAN EDR35ROTKB	22.5
-75A1-S19 +DT10	switch/knob button 1.000 L0751719	ELAN EDRR40RT+EFR	22.5
	shield 1.000 L0751767	ELAN MDP-8	d:22.5mm
	contact element 1.000 L0751742	ELAN EF220.1	22.5;400VAC;4A
-77Y1 +T1S	solenoid valve 1.000 L0059114	FESTO MSFG-24-OD-34411	24VUC,4.5W,ED:100%,IP65
	solenoid valve 1.000 L0844907	FESTO MOFH-3-1/4-24VDC7876	100%
-77Y2 +T1S	solenoid valve 1.000 L0059114	FESTO MSFG-24-OD-34411	24VUC,4.5W,ED:100%,IP65
	solenoid valve 1.000 L0844906	FESTO MFHE-3-1/4-B-24VDC	10bar;100%
-78K1 +E3S	contactor/relay 1.000 L0052512	WAGO 286-304/002-000	Ub:24V;DC;Phal:0.53VA;S-el:1W;
	accessory/special 1.000 L0720097	WAGO 280-609	Us:250V;Ps:250V/7A 2*6POLS 0.08-2.5MM2

filter: (not ("I"\$GERAET) and (SYMBOLTYP<>"7") and (SYMBOLTYP< (C) De La Rue Giori S.A.

format: GLGBNH

desig: A233HANS

dated: 16.7.1997

page:78

next page:79

## EQUIPMENT LIST

machine number: 621007un high item designation: =U

item inst.place	designation quantity part.no.	manufacturer type/order no.	technical data
-90A1 +DT1	1.000 L0066470		
-90A1-90D1 +DT1	cpu/memory/funct.u 1.000 L0055976 plug/socket 1.000 L0756703	ABB 07KT93R161 TELEGAERTNER BU-STI-BU	ARC./CS31;24VDC,ARCNET,24/16BI N.IN-/OUTPUT 1pol.
-90A1-90R1 +DT1	resistor 1.000 L0756702	TELEGAERTNER J01006A1373	930hm
-90A1-90R2 +DT1	resistor 1.000 L0058243	SPOERLE PR01	120Ohm5%;1W
-90A1-91D1 +DT1	in-/output unit 1.000 L0055977	ABB ICDG32L1	CS31;16IN-,8OUT-PUTS,0.5A,8I/O
-90A1-92D1 +DT1	in-/output unit 1.000 L0055977	ABB ICDG32L1	CS31;16IN-,8OUT-PUTS,0.5A,8I/O
-90A1-93D1 +DT1	in-/output unit 1.000 L0055977	ABB ICDG32L1	CS31;16IN-,8OUT-PUTS,0.5A,8I/O
-90A1-94D1 +DT1	in-/output unit 1.000 L0055977	ABB ICDG32L1	CS31;16IN-,8OUT-PUTS,0.5A,8I/O
-90A1-94R1 +DT1	resistor 1.000 L0058243	SPOERLE PR01	120Ohm5%;1W
-90A1-95R1 +DT1	resistor 1.000 L0058215	RADIO-RIM 0207	2K2Ohm1%;0.5W
-90A1-95R2 +DT1	resistor 1.000 L0058215	RADIO-RIM 0207	2K2Ohm1%;0.5W
-90A1-95R3 +DT1	resistor 1.000 L0058215	RADIO-RIM 0207	2K2Ohm1%;0.5W
-90A1-95R4 +DT1	resistor 1.000 L0058215	RADIO-RIM 0207	2K2Ohm1%;0.5W
-90A1-95R5 +DT1	resistor 1.000 L0058215	RADIO-RIM 0207	2K2Ohm1%;0.5W
-90A1-95R6 +DT1	resistor 1.000 L0058215	RADIO-RIM 0207	2K2Ohm1%;0.5W
-90A1-95R7 +DT1	resistor 1.000 L0058215	RADIO-RIM 0207	2K2Ohm1%;0.5W
-90A1-95R8 +DT1	resistor 1.000 L0058215	RADIO-RIM 0207	2K2Ohm1%;0.5W
-90A1-95R9 +DT1	resistor 1.000 L0058215	RADIO-RIM 0207	2K2Ohm1%;0.5W
-90A1-95R10 +DT1	resistor 1.000 L0058215	RADIO-RIM 0207	2K2Ohm1%;0.5W
-90A1-96R1 +DT1	resistor 1.000 L0058215	RADIO-RIM 0207	2K2Ohm1%;0.5W
-90A1-96R2 +DT1	resistor 1.000 L0058215	RADIO-RIM 0207	2K2Ohm1%;0.5W
-90A1-96R3 +DT1	resistor 1.000 L0058215	RADIO-RIM 0207	2K2Ohm1%;0.5W
-90A1-96R4 +DT1	resistor 1.000 L0058215	RADIO-RIM 0207	2K2Ohm1%;0.5W
-90A1-96R5 +DT1	resistor 1.000 L0058215	RADIO-RIM 0207	2K2Ohm1%;0.5W

filter: (not ("I"\$GERAET) and (SYMBOLTYP&lt;&gt;"7") and (SYMBOLTYP&lt; (C) De La Rue Giori S.A.

format: GLGBNH

desig: A233HANS

dated: 16.7.1997

page:79

next page:80

EQUIPMENT LIST machine number: 621007un high item designation: =U

item inst.place	designation quantity	part.no.	manufacturer type/order no.	technical data
-90A1-96R6 +DT1	resistor 1.000	L0058215	RADIO-RIM 0207	2K20hm1%;0.5W
-90A1-96R7 +DT1	resistor 1.000	L0058215	RADIO-RIM 0207	2K20hm1%;0.5W
-90A1-96R8 +DT1	resistor 1.000	L0058215	RADIO-RIM 0207	2K20hm1%;0.5W
-90A1-96R9 +DT1	resistor 1.000	L0058215	RADIO-RIM 0207	2K20hm1%;0.5W
-90A1-96R10 +DT1	resistor 1.000	L0058215	RADIO-RIM 0207	2K20hm1%;0.5W
-90A1-97R1 +DT1	resistor 1.000	L0058215	RADIO-RIM 0207	2K20hm1%;0.5W
-90A1-97R2 +DT1	resistor 1.000	L0058215	RADIO-RIM 0207	2K20hm1%;0.5W
-90A1-97R3 +DT1	resistor 1.000	L0058215	RADIO-RIM 0207	2K20hm1%;0.5W
-90A1-97R4 +DT1	resistor 1.000	L0058215	RADIO-RIM 0207	2K20hm1%;0.5W
-90A1-97R5 +DT1	resistor 1.000	L0058215	RADIO-RIM 0207	2K20hm1%;0.5W
-90A1-97R6 +DT1	resistor 1.000	L0058215	RADIO-RIM 0207	2K20hm1%;0.5W
-90A1-97R7 +DT1	resistor 1.000	L0058215	RADIO-RIM 0207	2K20hm1%;0.5W
-90A1-97R8 +DT1	resistor 1.000	L0058215	RADIO-RIM 0207	2K20hm1%;0.5W
-90A1-97R9 +DT1	resistor 1.000	L0058215	RADIO-RIM 0207	2K20hm1%;0.5W
-90A1-97R10 +DT1	resistor 1.000	L0058215	RADIO-RIM 0207	2K20hm1%;0.5W
-90A1-98R1 +DT1	resistor 1.000	L0058215	RADIO-RIM 0207	2K20hm1%;0.5W
-90A1-98R2 +DT1	resistor 1.000	L0058215	RADIO-RIM 0207	2K20hm1%;0.5W
-90A1-98R3 +DT1	resistor 1.000	L0058215	RADIO-RIM 0207	2K20hm1%;0.5W
-90A1-98R4 +DT1	resistor 1.000	L0058215	RADIO-RIM 0207	2K20hm1%;0.5W
-90A1-98R5 +DT1	resistor 1.000	L0058215	RADIO-RIM 0207	2K20hm1%;0.5W
-90A1-98R6 +DT1	resistor 1.000	L0058215	RADIO-RIM 0207	2K20hm1%;0.5W
-90A1-98R7 +DT1	resistor 1.000	L0058215	RADIO-RIM 0207	2K20hm1%;0.5W
-90A1-98R8 +DT1	resistor 1.000	L0058215	RADIO-RIM 0207	2K20hm1%;0.5W
-90A1-98R9 +DT1	resistor 1.000	L0058215	RADIO-RIM 0207	2K20hm1%;0.5W
-90A1-98R10 +DT1	resistor 1.000	L0058215	RADIO-RIM 0207	2K20hm1%;0.5W

EQUIPMENT LIST machine number: 621007un high item designation: =U

item inst.place	designation quantity	part.no.	manufacturer type/order no.	technical data
-90A1-99R1 +DT1	resistor 1.000	L0058215	RADIO-RIM 0207	2K2Ohm1%;0.5W
-90A1-99R2 +DT1	resistor 1.000	L0058215	RADIO-RIM 0207	2K2Ohm1%;0.5W
-90A1-99R3 +DT1	resistor 1.000	L0058215	RADIO-RIM 0207	2K2Ohm1%;0.5W
-90A1-99R4 +DT1	resistor 1.000	L0058215	RADIO-RIM 0207	2K2Ohm1%;0.5W
-90A1-99R5 +DT1	resistor 1.000	L0058215	RADIO-RIM 0207	2K2Ohm1%;0.5W
-90A1-99R6 +DT1	resistor 1.000	L0058215	RADIO-RIM 0207	2K2Ohm1%;0.5W
-90A1-99R7 +DT1	resistor 1.000	L0058215	RADIO-RIM 0207	2K2Ohm1%;0.5W
-90A1-99R8 +DT1	resistor 1.000	L0058215	RADIO-RIM 0207	2K2Ohm1%;0.5W
-90A1-99R9 +DT1	resistor 1.000	L0058215	RADIO-RIM 0207	2K2Ohm1%;0.5W
-90A1-99R10 +DT1	resistor 1.000	L0058215	RADIO-RIM 0207	2K2Ohm1%;0.5W
-90A1-100R1 +DT1	resistor 1.000	L0058215	RADIO-RIM 0207	2K2Ohm1%;0.5W
-90A1-100R2 +DT1	resistor 1.000	L0058215	RADIO-RIM 0207	2K2Ohm1%;0.5W
-90A1-100R3 +DT1	resistor 1.000	L0058215	RADIO-RIM 0207	2K2Ohm1%;0.5W
-90A1-100R4 +DT1	resistor 1.000	L0058215	RADIO-RIM 0207	2K2Ohm1%;0.5W
-90A1-100R5 +DT1	resistor 1.000	L0058215	RADIO-RIM 0207	2K2Ohm1%;0.5W
-90A1-100R6 +DT1	resistor 1.000	L0058215	RADIO-RIM 0207	2K2Ohm1%;0.5W
-90A1-100R7 +DT1	resistor 1.000	L0058215	RADIO-RIM 0207	2K2Ohm1%;0.5W
-90A1-100R8 +DT1	resistor 1.000	L0058215	RADIO-RIM 0207	2K2Ohm1%;0.5W
-90A1-100R9 +DT1	resistor 1.000	L0058215	RADIO-RIM 0207	2K2Ohm1%;0.5W
-90A1-100R10 +DT1	resistor 1.000	L0058215	RADIO-RIM 0207	2K2Ohm1%;0.5W
-90A1-101R1 +DT1	resistor 1.000	L0058215	RADIO-RIM 0207	2K2Ohm1%;0.5W
-90A1-101R2 +DT1	resistor 1.000	L0058215	RADIO-RIM 0207	2K2Ohm1%;0.5W
-90A1-101R3 +DT1	resistor 1.000	L0058215	RADIO-RIM 0207	2K2Ohm1%;0.5W
-90A1-101R4 +DT1	resistor 1.000	L0058215	RADIO-RIM 0207	2K2Ohm1%;0.5W
-90A1-101R5 +DT1	resistor 1.000	L0058215	RADIO-RIM 0207	2K2Ohm1%;0.5W

EQUIPMENT LIST machine number: 621007un high item designation: =U

item inst.place	designation quantity	part.no.	manufacturer type/order no.	technical data
-90A1-101R6 +DT1	resistor 1.000	L0058215	RADIO-RIM 0207	2K2Ohm1%;0.5W
-90A1-101R7 +DT1	resistor 1.000	L0058215	RADIO-RIM 0207	2K2Ohm1%;0.5W
-90A1-101R8 +DT1	resistor 1.000	L0058215	RADIO-RIM 0207	2K2Ohm1%;0.5W
-90A1-101R9 +DT1	resistor 1.000	L0058215	RADIO-RIM 0207	2K2Ohm1%;0.5W
-90A1-101R10 +DT1	resistor 1.000	L0058215	RADIO-RIM 0207	2K2Ohm1%;0.5W
-90A1-102R3 +DT1	resistor 1.000	L0058215	RADIO-RIM 0207	2K2Ohm1%;0.5W
-90A1-104R1 +DT1	resistor 1.000	L0058215	RADIO-RIM 0207	2K2Ohm1%;0.5W
-90A1-104R2 +DT1	resistor 1.000	L0058215	RADIO-RIM 0207	2K2Ohm1%;0.5W
-90A1-104R3 +DT1	resistor 1.000	L0058215	RADIO-RIM 0207	2K2Ohm1%;0.5W
-90A1-104R4 +DT1	resistor 1.000	L0058215	RADIO-RIM 0207	2K2Ohm1%;0.5W
-90A1-104R5 +DT1	resistor 1.000	L0058215	RADIO-RIM 0207	2K2Ohm1%;0.5W
-90A1-104R6 +DT1	resistor 1.000	L0058215	RADIO-RIM 0207	2K2Ohm1%;0.5W
-90A1-104R7 +DT1	resistor 1.000	L0058215	RADIO-RIM 0207	2K2Ohm1%;0.5W
-90A1-104R8 +DT1	resistor 1.000	L0058215	RADIO-RIM 0207	2K2Ohm1%;0.5W
-90A1-S011 +DT1	illuminated push b 1.000	L0752250	RAFI LUMOTAST75	Ed/Br:16.5;Us:250VAC;Is:4A
	lens 1.000	L0752254	RAFI LUMOTAST75	16.5;GE
	bulb/led 1.000	L0752251	RAFI LUMOTAST75	T4.5;24V;DC
-90A1-S012 +DT1	illuminated push b 1.000	L0752250	RAFI LUMOTAST75	Ed/Br:16.5;Us:250VAC;Is:4A
	lens 1.000	L0752254	RAFI LUMOTAST75	16.5;GE
	bulb/led 1.000	L0752251	RAFI LUMOTAST75	T4.5;24V;DC
-90A1-S013 +DT1	illuminated push b 1.000	L0752250	RAFI LUMOTAST75	Ed/Br:16.5;Us:250VAC;Is:4A
	lens 1.000	L0752254	RAFI LUMOTAST75	16.5;GE
	bulb/led 1.000	L0752251	RAFI LUMOTAST75	T4.5;24V;DC
-90A1-S014 +DT1	illuminated push b 1.000	L0752250	RAFI LUMOTAST75	Ed/Br:16.5;Us:250VAC;Is:4A
	lens 1.000	L0752254	RAFI LUMOTAST75	16.5;GE
	bulb/led 1.000	L0752251	RAFI LUMOTAST75	T4.5;24V;DC
-90A1-S015 +DT1	illuminated push b 1.000	L0752250	RAFI LUMOTAST75	Ed/Br:16.5;Us:250VAC;Is:4A
	lens 1.000	L0752254	RAFI LUMOTAST75	16.5;GE

filter: (not ("I"\$GERAET) and (SYMBOLTYP<>"7") and (SYMBOLTYP< (C) De La Rue Giori S.A.

format: GLGBNH

desig: A233HANS

dated: 16.7.1997

page:82

next page:83

## EQUIPMENT LIST

machine number: 621007un high item designation: =U

item inst.place	designation quantity part.no.	manufacturer type/order no.	technical data
	bulb/led 1.000 L0752251	RAFI LUMOTAST75	T4.5;24V;DC
-90A1-S016 +DT1	illuminated push b 1.000 L0752250	RAFI LUMOTAST75	Ed/Br:16.5;Us:250VAC;Is:4A
	lens 1.000 L0752254	RAFI LUMOTAST75	16.5;GE
	bulb/led 1.000 L0752251	RAFI LUMOTAST75	T4.5;24V;DC
-90A1-S017 +DT1	illuminated push b 1.000 L0752250	RAFI LUMOTAST75	Ed/Br:16.5;Us:250VAC;Is:4A
	lens 1.000 L0752254	RAFI LUMOTAST75	16.5;GE
	bulb/led 1.000 L0752251	RAFI LUMOTAST75	T4.5;24V;DC
-90A1-S018 +DT1	switch 1.000 L0752260	RAFI LUMOTAST75	16.5;24VDC
-90A1-S021 +DT1	illuminated push b 1.000 L0752250	RAFI LUMOTAST75	Ed/Br:16.5;Us:250VAC;Is:4A
	lens 1.000 L0752254	RAFI LUMOTAST75	16.5;GE
	bulb/led 1.000 L0752251	RAFI LUMOTAST75	T4.5;24V;DC
-90A1-S022 +DT1	illuminated push b 1.000 L0752250	RAFI LUMOTAST75	Ed/Br:16.5;Us:250VAC;Is:4A
	lens 1.000 L0752254	RAFI LUMOTAST75	16.5;GE
	bulb/led 1.000 L0752251	RAFI LUMOTAST75	T4.5;24V;DC
-90A1-S023 +DT1	illuminated push b 1.000 L0752250	RAFI LUMOTAST75	Ed/Br:16.5;Us:250VAC;Is:4A
	lens 1.000 L0752254	RAFI LUMOTAST75	16.5;GE
	bulb/led 1.000 L0752251	RAFI LUMOTAST75	T4.5;24V;DC
-90A1-S024 +DT1	illuminated push b 1.000 L0752250	RAFI LUMOTAST75	Ed/Br:16.5;Us:250VAC;Is:4A
	lens 1.000 L0752254	RAFI LUMOTAST75	16.5;GE
	bulb/led 1.000 L0752251	RAFI LUMOTAST75	T4.5;24V;DC
-90A1-S025 +DT1	illuminated push b 1.000 L0752250	RAFI LUMOTAST75	Ed/Br:16.5;Us:250VAC;Is:4A
	lens 1.000 L0752254	RAFI LUMOTAST75	16.5;GE
	bulb/led 1.000 L0752251	RAFI LUMOTAST75	T4.5;24V;DC
-90A1-S026 +DT1	illuminated push b 1.000 L0752250	RAFI LUMOTAST75	Ed/Br:16.5;Us:250VAC;Is:4A
	lens 1.000 L0752254	RAFI LUMOTAST75	16.5;GE
	bulb/led 1.000 L0752251	RAFI LUMOTAST75	T4.5;24V;DC
-90A1-S027 +DT1	illuminated push b 1.000 L0752250	RAFI LUMOTAST75	Ed/Br:16.5;Us:250VAC;Is:4A
	lens 1.000 L0752254	RAFI LUMOTAST75	16.5;GE
	bulb/led 1.000 L0752251	RAFI LUMOTAST75	T4.5;24V;DC
-90A1-S031 +DT1	illuminated push b 1.000 L0752250	RAFI LUMOTAST75	Ed/Br:16.5;Us:250VAC;Is:4A
	lens 1.000 L0752254	RAFI LUMOTAST75	16.5;GE
	bulb/led 1.000 L0752251	RAFI LUMOTAST75	T4.5;24V;DC

filter: (not ("I"\$GERAET) and (SYMBOLTYP&lt;&gt;"7") and (SYMBOLTYP&lt; (C) De La Rue Giori S.A.

format: GLGBNH

desig: A233HANS

dated: 16.7.1997

page:83

next page:84

EQUIPMENT LIST machine number: 621007un high item designation: =U

item inst.place	designation quantity	part.no.	manufacturer type/order no.	technical data
	1.000	L0752251	LUMOTAST75	
-90A1-S032 +DT1	illuminated push b	1.000 L0752250	RAFILUMOTAST75	Ed/Br:16.5;Us:250VAC;Is:4A
	lens	1.000 L0752254	RAFILUMOTAST75	16.5;GE
	bulb/led	1.000 L0752251	RAFILUMOTAST75	T4.5;24V;DC
-90A1-S033 +DT1	illuminated push b	1.000 L0752250	RAFILUMOTAST75	Ed/Br:16.5;Us:250VAC;Is:4A
	lens	1.000 L0752254	RAFILUMOTAST75	16.5;GE
	bulb/led	1.000 L0752251	RAFILUMOTAST75	T4.5;24V;DC
-90A1-S034 +DT1	illuminated push b	1.000 L0752250	RAFILUMOTAST75	Ed/Br:16.5;Us:250VAC;Is:4A
	lens	1.000 L0752254	RAFILUMOTAST75	16.5;GE
	bulb/led	1.000 L0752251	RAFILUMOTAST75	T4.5;24V;DC
-90A1-S035 +DT1	illuminated push b	1.000 L0752250	RAFILUMOTAST75	Ed/Br:16.5;Us:250VAC;Is:4A
	lens	1.000 L0752254	RAFILUMOTAST75	16.5;GE
	bulb/led	1.000 L0752251	RAFILUMOTAST75	T4.5;24V;DC
-90A1-S036 +DT1	illuminated push b	1.000 L0752250	RAFILUMOTAST75	Ed/Br:16.5;Us:250VAC;Is:4A
	lens	1.000 L0752254	RAFILUMOTAST75	16.5;GE
	bulb/led	1.000 L0752251	RAFILUMOTAST75	T4.5;24V;DC
-90A1-S037 +DT1	illuminated push b	1.000 L0752250	RAFILUMOTAST75	Ed/Br:16.5;Us:250VAC;Is:4A
	lens	1.000 L0752254	RAFILUMOTAST75	16.5;GE
	bulb/led	1.000 L0752251	RAFILUMOTAST75	T4.5;24V;DC
-90A1-S038 +DT1	illuminated push b	1.000 L0752250	RAFILUMOTAST75	Ed/Br:16.5;Us:250VAC;Is:4A
	lens	1.000 L0752256	RAFILUMOTAST75	16.5;RT
	bulb/led	1.000 L0752253	RAFILUMOTAST75	T4.5;24V;DC;3.6W
-90A1-S041 +DT1	illuminated push b	1.000 L0752250	RAFILUMOTAST75	Ed/Br:16.5;Us:250VAC;Is:4A
	lens	1.000 L0752254	RAFILUMOTAST75	16.5;GE
	bulb/led	1.000 L0752251	RAFILUMOTAST75	T4.5;24V;DC
-90A1-S042 +DT1	illuminated push b	1.000 L0752250	RAFILUMOTAST75	Ed/Br:16.5;Us:250VAC;Is:4A
	lens	1.000 L0752254	RAFILUMOTAST75	16.5;GE
	bulb/led	1.000 L0752251	RAFILUMOTAST75	T4.5;24V;DC
-90A1-S043 +DT1	illuminated push b	1.000 L0752250	RAFILUMOTAST75	Ed/Br:16.5;Us:250VAC;Is:4A
	lens	1.000 L0752254	RAFILUMOTAST75	16.5;GE
	bulb/led	1.000 L0752251	RAFILUMOTAST75	T4.5;24V;DC
-90A1-S044 +DT1	illuminated push b	1.000 L0752250	RAFILUMOTAST75	Ed/Br:16.5;Us:250VAC;Is:4A

EQUIPMENT LIST		machine number: 621007un high item designation: =U		
item inst.place	designation quantity	part.no.	manufacturer type/order no.	technical data
	lens		RAFI	16.5;GE
	1.000 L0752254	LUMOTAST75		
	bulb/led		RAFI	T4.5;24V;DC
	1.000 L0752251	LUMOTAST75		
-90A1-S045 +DT1	illuminated push b		RAFI	Ed/Br:16.5;Us:250VAC;Is:4A
	1.000 L0752250	LUMOTAST75		
	lens		RAFI	16.5;GE
	1.000 L0752254	LUMOTAST75		
	bulb/led		RAFI	T4.5;24V;DC
	1.000 L0752251	LUMOTAST75		
-90A1-S046 +DT1	illuminated push b		RAFI	Ed/Br:16.5;Us:250VAC;Is:4A
	1.000 L0752250	LUMOTAST75		
	lens		RAFI	16.5;GE
	1.000 L0752254	LUMOTAST75		
	bulb/led		RAFI	T4.5;24V;DC
	1.000 L0752251	LUMOTAST75		
-90A1-S047 +DT1	illuminated push b		RAFI	Ed/Br:16.5;Us:250VAC;Is:4A
	1.000 L0752250	LUMOTAST75		
	lens		RAFI	16.5;GE
	1.000 L0752254	LUMOTAST75		
	bulb/led		RAFI	T4.5;24V;DC
	1.000 L0752251	LUMOTAST75		
-90A1-S051 +DT1	illuminated push b		RAFI	Ed/Br:16.5;Us:250VAC;Is:4A
	1.000 L0752250	LUMOTAST75		
	lens		RAFI	16.5;GE
	1.000 L0752254	LUMOTAST75		
	bulb/led		RAFI	T4.5;24V;DC
	1.000 L0752251	LUMOTAST75		
-90A1-S052 +DT1	illuminated push b		RAFI	Ed/Br:16.5;Us:250VAC;Is:4A
	1.000 L0752250	LUMOTAST75		
	lens		RAFI	16.5;GE
	1.000 L0752254	LUMOTAST75		
	bulb/led		RAFI	T4.5;24V;DC
	1.000 L0752251	LUMOTAST75		
-90A1-S053 +DT1	illuminated push b		RAFI	Ed/Br:16.5;Us:250VAC;Is:4A
	1.000 L0752250	LUMOTAST75		
	lens		RAFI	16.5;GE
	1.000 L0752254	LUMOTAST75		
	bulb/led		RAFI	T4.5;24V;DC
	1.000 L0752251	LUMOTAST75		
-90A1-S054 +DT1	illuminated push b		RAFI	Ed/Br:16.5;Us:250VAC;Is:4A
	1.000 L0752250	LUMOTAST75		
	lens		RAFI	16.5;GE
	1.000 L0752254	LUMOTAST75		
	bulb/led		RAFI	T4.5;24V;DC
	1.000 L0752251	LUMOTAST75		
-90A1-S055 +DT1	illuminated push b		RAFI	Ed/Br:16.5;Us:250VAC;Is:4A
	1.000 L0752250	LUMOTAST75		
	lens		RAFI	16.5;GE
	1.000 L0752254	LUMOTAST75		
	bulb/led		RAFI	T4.5;24V;DC
	1.000 L0752251	LUMOTAST75		
-90A1-S056 +DT1	illuminated push b		RAFI	Ed/Br:16.5;Us:250VAC;Is:4A
	1.000 L0752250	LUMOTAST75		
	lens		RAFI	16.5;GE
	1.000 L0752254	LUMOTAST75		
	bulb/led		RAFI	T4.5;24V;DC
	1.000 L0752251	LUMOTAST75		
-90A1-S057 +DT1	illuminated push b		RAFI	Ed/Br:16.5;Us:250VAC;Is:4A
	1.000 L0752250	LUMOTAST75		
	lens		RAFI	16.5;GE
	1.000 L0752254	LUMOTAST75		
	bulb/led		RAFI	T4.5;24V;DC
	1.000 L0752251	LUMOTAST75		

filter: (not ("I"\$GERAET) and (SYMBOLTYP<>"7") and (SYMBOLTYP< (C) De La Rue Giori S.A.

format: GLGBNH

desig: A233HANS

dated: 16.7.1997

page:85

next page:86



## EQUIPMENT LIST

machine number: 621007un

high item designation: =U

item inst.place	designation quantity	part.no.	manufacturer type/order no.	technical data
-90A1-S061 +DT1	illuminated push b	1.000	RAF1	Ed/Br:16.5;Us:250VAC;Is:4A 16.5;GE T4.5;24V;DC
	lens	L0752250	LUMOTAST75	
	bulb/led	1.000	RAF1	
	bulb/led	L0752254	LUMOTAST75	
-90A1-S062 +DT1	illuminated push b	1.000	RAF1	Ed/Br:16.5;Us:250VAC;Is:4A 16.5;GE T4.5;24V;DC
	lens	L0752250	LUMOTAST75	
	bulb/led	1.000	RAF1	
	bulb/led	L0752254	LUMOTAST75	
-90A1-S063 +DT1	illuminated push b	1.000	RAF1	Ed/Br:16.5;Us:250VAC;Is:4A 16.5;GE T4.5;24V;DC
	lens	L0752250	LUMOTAST75	
	bulb/led	1.000	RAF1	
	bulb/led	L0752254	LUMOTAST75	
-90A1-S064 +DT1	illuminated push b	1.000	RAF1	Ed/Br:16.5;Us:250VAC;Is:4A 16.5;GE T4.5;24V;DC
	lens	L0752250	LUMOTAST75	
	bulb/led	1.000	RAF1	
	bulb/led	L0752254	LUMOTAST75	
-90A1-S065 +DT1	illuminated push b	1.000	RAF1	Ed/Br:16.5;Us:250VAC;Is:4A 16.5;GE T4.5;24V;DC
	lens	L0752250	LUMOTAST75	
	bulb/led	1.000	RAF1	
	bulb/led	L0752254	LUMOTAST75	
-90A1-S066 +DT1	illuminated push b	1.000	RAF1	Ed/Br:16.5;Us:250VAC;Is:4A 16.5;GE T4.5;24V;DC
	lens	L0752250	LUMOTAST75	
	bulb/led	1.000	RAF1	
	bulb/led	L0752254	LUMOTAST75	
-90A1-S067 +DT1	illuminated push b	1.000	RAF1	Ed/Br:16.5;Us:250VAC;Is:4A 16.5;GE T4.5;24V;DC
	lens	L0752250	LUMOTAST75	
	bulb/led	1.000	RAF1	
	bulb/led	L0752254	LUMOTAST75	
-90A1-S071 +DT1	illuminated push b	1.000	RAF1	Ed/Br:16.5;Us:250VAC;Is:4A 16.5;GE T4.5;24V;DC
	lens	L0752250	LUMOTAST75	
	bulb/led	1.000	RAF1	
	bulb/led	L0752254	LUMOTAST75	
-90A1-S072 +DT1	illuminated push b	1.000	RAF1	Ed/Br:16.5;Us:250VAC;Is:4A 16.5;GE T4.5;24V;DC
	lens	L0752250	LUMOTAST75	
	bulb/led	1.000	RAF1	
	bulb/led	L0752254	LUMOTAST75	
-90A1-S073 +DT1	illuminated push b	1.000	RAF1	Ed/Br:16.5;Us:250VAC;Is:4A 16.5;GE T4.5;24V;DC
	lens	L0752250	LUMOTAST75	
	bulb/led	1.000	RAF1	
	bulb/led	L0752254	LUMOTAST75	
-90A1-S074 +DT1	illuminated push b	1.000	RAF1	Ed/Br:16.5;Us:250VAC;Is:4A 16.5;GE
	lens	L0752250	LUMOTAST75	
	lens	L0752254	LUMOTAST75	

filter: (not ("I"\$GERAET) and (SYMBOLTYP&lt;&gt;"7") and (SYMBOLTYP&lt;

(C) De La Rue Giori S.A.

format: GLGBNH

desig: A233HANS

dated: 16.7.1997

page:86

next page:87

## EQUIPMENT LIST

machine number: 621007un high item designation: =U

item inst.place	designation quantity part.no.	manufacturer type/order no.	technical data
	bulb/led 1.000 L0752251	RAFI LUMOTAST75	T4.5;24V;DC
-90A1-S075 +DT1	illuminated push b 1.000 L0752250	RAFI LUMOTAST75	Ed/Br:16.5;Us:250VAC;Is:4A
	lens 1.000 L0752254	RAFI LUMOTAST75	16.5;GE
	bulb/led 1.000 L0752251	RAFI LUMOTAST75	T4.5;24V;DC
-90A1-S076 +DT1	illuminated push b 1.000 L0752250	RAFI LUMOTAST75	Ed/Br:16.5;Us:250VAC;Is:4A
	lens 1.000 L0752254	RAFI LUMOTAST75	16.5;GE
	bulb/led 1.000 L0752251	RAFI LUMOTAST75	T4.5;24V;DC
-90A1-S077 +DT1	illuminated push b 1.000 L0752250	RAFI LUMOTAST75	Ed/Br:16.5;Us:250VAC;Is:4A
	lens 1.000 L0752254	RAFI LUMOTAST75	16.5;GE
	bulb/led 1.000 L0752251	RAFI LUMOTAST75	T4.5;24V;DC
-90A1-S081 +DT1	illuminated push b 1.000 L0752250	RAFI LUMOTAST75	Ed/Br:16.5;Us:250VAC;Is:4A
	lens 1.000 L0752254	RAFI LUMOTAST75	16.5;GE
	bulb/led 1.000 L0752251	RAFI LUMOTAST75	T4.5;24V;DC
-90A1-S082 +DT1	illuminated push b 1.000 L0752250	RAFI LUMOTAST75	Ed/Br:16.5;Us:250VAC;Is:4A
	lens 1.000 L0752254	RAFI LUMOTAST75	16.5;GE
	bulb/led 1.000 L0752251	RAFI LUMOTAST75	T4.5;24V;DC
-90A1-S083 +DT1	illuminated push b 1.000 L0752250	RAFI LUMOTAST75	Ed/Br:16.5;Us:250VAC;Is:4A
	lens 1.000 L0752254	RAFI LUMOTAST75	16.5;GE
	bulb/led 1.000 L0752251	RAFI LUMOTAST75	T4.5;24V;DC
-90A1-S084 +DT1	illuminated push b 1.000 L0752250	RAFI LUMOTAST75	Ed/Br:16.5;Us:250VAC;Is:4A
	lens 1.000 L0752254	RAFI LUMOTAST75	16.5;GE
	bulb/led 1.000 L0752251	RAFI LUMOTAST75	T4.5;24V;DC
-90A1-S085 +DT1	illuminated push b 1.000 L0752250	RAFI LUMOTAST75	Ed/Br:16.5;Us:250VAC;Is:4A
	lens 1.000 L0752254	RAFI LUMOTAST75	16.5;GE
	bulb/led 1.000 L0752251	RAFI LUMOTAST75	T4.5;24V;DC
-90A1-S086 +DT1	illuminated push b 1.000 L0752250	RAFI LUMOTAST75	Ed/Br:16.5;Us:250VAC;Is:4A
	lens 1.000 L0752254	RAFI LUMOTAST75	16.5;GE
	bulb/led 1.000 L0752251	RAFI LUMOTAST75	T4.5;24V;DC
-90A1-S087 +DT1	illuminated push b 1.000 L0752250	RAFI LUMOTAST75	Ed/Br:16.5;Us:250VAC;Is:4A
	lens 1.000 L0752254	RAFI LUMOTAST75	16.5;GE
	bulb/led 1.000 L0752251	RAFI LUMOTAST75	T4.5;24V;DC
-90A1-S091	illuminated push b	RAFI	Ed/Br:16.5;Us:250VAC;Is:4A
filter: (not ("I"\$GERAET)and(SYMBOLTYP<>"7")and(SYMBOLTYP<			(C) De La Rue Giori S.A.
format: GLGBNH	desig: A233HANS	dated: 16.7.1997	page:87 next page:88

## EQUIPMENT LIST

machine number: 621007un high item designation: =U

item inst.place	designation quantity	part.no.	manufacturer type/order no.	technical data
+DT1	1.000	L0752250	LUMOTAST75	
	lens		RAFI	16.5;GE
	1.000	L0752254	LUMOTAST75	
	bulb/led		RAFI	T4.5;24V;DC
	1.000	L0752251	LUMOTAST75	
-90A1-S092 +DT1	illuminated push b		RAFI	Ed/Br:16.5;Us:250VAC;Is:4A
	1.000	L0752250	LUMOTAST75	
	lens		RAFI	16.5;GE
	1.000	L0752254	LUMOTAST75	
	bulb/led		RAFI	T4.5;24V;DC
	1.000	L0752251	LUMOTAST75	
-90A1-S093 +DT1	illuminated push b		RAFI	Ed/Br:16.5;Us:250VAC;Is:4A
	1.000	L0752250	LUMOTAST75	
	lens		RAFI	16.5;GE
	1.000	L0752254	LUMOTAST75	
	bulb/led		RAFI	T4.5;24V;DC
	1.000	L0752251	LUMOTAST75	
-90A1-S094 +DT1	illuminated push b		RAFI	Ed/Br:16.5;Us:250VAC;Is:4A
	1.000	L0752250	LUMOTAST75	
	lens		RAFI	16.5;GE
	1.000	L0752254	LUMOTAST75	
	bulb/led		RAFI	T4.5;24V;DC
	1.000	L0752251	LUMOTAST75	
-90A1-S095 +DT1	illuminated push b		RAFI	Ed/Br:16.5;Us:250VAC;Is:4A
	1.000	L0752250	LUMOTAST75	
	lens		RAFI	16.5;GE
	1.000	L0752254	LUMOTAST75	
	bulb/led		RAFI	T4.5;24V;DC
	1.000	L0752251	LUMOTAST75	
-90A1-S096 +DT1	illuminated push b		RAFI	Ed/Br:16.5;Us:250VAC;Is:4A
	1.000	L0752250	LUMOTAST75	
	lens		RAFI	16.5;GE
	1.000	L0752254	LUMOTAST75	
	bulb/led		RAFI	T4.5;24V;DC
	1.000	L0752251	LUMOTAST75	
-90A1-S097 +DT1	illuminated push b		RAFI	Ed/Br:16.5;Us:250VAC;Is:4A
	1.000	L0752250	LUMOTAST75	
	lens		RAFI	16.5;GE
	1.000	L0752254	LUMOTAST75	
	bulb/led		RAFI	T4.5;24V;DC
	1.000	L0752251	LUMOTAST75	
-90A1-S101 +DT1	illuminated push b		RAFI	Ed/Br:16.5;Us:250VAC;Is:4A
	1.000	L0752250	LUMOTAST75	
	lens		RAFI	16.5;GE
	1.000	L0752254	LUMOTAST75	
	bulb/led		RAFI	T4.5;24V;DC
	1.000	L0752251	LUMOTAST75	
-90A1-S102 +DT1	illuminated push b		RAFI	Ed/Br:16.5;Us:250VAC;Is:4A
	1.000	L0752250	LUMOTAST75	
	lens		RAFI	16.5;GE
	1.000	L0752254	LUMOTAST75	
	bulb/led		RAFI	T4.5;24V;DC
	1.000	L0752251	LUMOTAST75	
-90A1-S103 +DT1	illuminated push b		RAFI	Ed/Br:16.5;Us:250VAC;Is:4A
	1.000	L0752250	LUMOTAST75	
	lens		RAFI	16.5;GE
	1.000	L0752254	LUMOTAST75	
	bulb/led		RAFI	T4.5;24V;DC
	1.000	L0752251	LUMOTAST75	
-90A1-S104 +DT1	illuminated push b		RAFI	Ed/Br:16.5;Us:250VAC;Is:4A
	1.000	L0752250	LUMOTAST75	
	lens		RAFI	16.5;GE
	1.000	L0752254	LUMOTAST75	
	bulb/led		RAFI	T4.5;24V;DC

filter: (not ("I"\$GERAET) and (SYMBOLTYP<>"7") and (SYMBOLTYP< (C) De La Rue Giori S.A.

format: GLGBNH

desig: A233HANS

dated: 16.7.1997

page:88

next page:89

EQUIPMENT LIST		machine number: 621007un high item designation: =U		
item inst.place	designation quantity part.no.	manufacturer type/order no.	technical data	
	1.000 L0752251	LUMOTAST75		
-90A1-S105 +DT1	illuminated push b	RAFI	Ed/Br:16.5;Us:250VAC;Is:4A	
	1.000 L0752250	LUMOTAST75		
	lens	RAFI	16.5;GE	
	1.000 L0752254	LUMOTAST75		
	bulb/led	RAFI	T4.5;24V;DC	
	1.000 L0752251	LUMOTAST75		
-90A1-S106 +DT1	illuminated push b	RAFI	Ed/Br:16.5;Us:250VAC;Is:4A	
	1.000 L0752250	LUMOTAST75		
	lens	RAFI	16.5;GE	
	1.000 L0752254	LUMOTAST75		
	bulb/led	RAFI	T4.5;24V;DC	
	1.000 L0752251	LUMOTAST75		
-90A1-S107 +DT1	illuminated push b	RAFI	Ed/Br:16.5;Us:250VAC;Is:4A	
	1.000 L0752250	LUMOTAST75		
	lens	RAFI	16.5;GE	
	1.000 L0752254	LUMOTAST75		
	bulb/led	RAFI	T4.5;24V;DC	
	1.000 L0752251	LUMOTAST75		
-90A1-S0201 +DT1	illuminated push b	RAFI	Ed/Br:16.5;Us:250VAC;Is:4A	
	1.000 L0752250	LUMOTAST75		
	lens	RAFI	16.5;GE	
	1.000 L0752254	LUMOTAST75		
	bulb/led	RAFI	T4.5;24V;DC	
	1.000 L0752251	LUMOTAST75		
-90A1-S0202 +DT1	illuminated push b	RAFI	Ed/Br:16.5;Us:250VAC;Is:4A	
	1.000 L0752250	LUMOTAST75		
	lens	RAFI	16.5;GE	
	1.000 L0752254	LUMOTAST75		
	bulb/led	RAFI	T4.5;24V;DC	
	1.000 L0752251	LUMOTAST75		
-90A1-S0203 +DT1	illuminated push b	RAFI	Ed/Br:16.5;Us:250VAC;Is:4A	
	1.000 L0752250	LUMOTAST75		
	lens	RAFI	16.5;GE	
	1.000 L0752254	LUMOTAST75		
	bulb/led	RAFI	T4.5;24V;DC	
	1.000 L0752251	LUMOTAST75		
-90A1-S0204 +DT1	illuminated push b	RAFI	Ed/Br:16.5;Us:250VAC;Is:4A	
	1.000 L0752250	LUMOTAST75		
	lens	RAFI	16.5;GE	
	1.000 L0752254	LUMOTAST75		
	bulb/led	RAFI	T4.5;24V;DC	
	1.000 L0752251	LUMOTAST75		
-90A1-S0205 +DT1	illuminated push b	RAFI	Ed/Br:16.5;Us:250VAC;Is:4A	
	1.000 L0752250	LUMOTAST75		
	lens	RAFI	16.5;GE	
	1.000 L0752254	LUMOTAST75		
	bulb/led	RAFI	T4.5;24V;DC	
	1.000 L0752251	LUMOTAST75		
-90A1-S0206 +DT1	illuminated push b	RAFI	Ed/Br:16.5;Us:250VAC;Is:4A	
	1.000 L0752250	LUMOTAST75		
	lens	RAFI	16.5;GE	
	1.000 L0752254	LUMOTAST75		
	bulb/led	RAFI	T4.5;24V;DC	
	1.000 L0752251	LUMOTAST75		
-90A1-S0207 +DT1	illuminated push b	RAFI	Ed/Br:16.5;Us:250VAC;Is:4A	
	1.000 L0752250	LUMOTAST75		
	lens	RAFI	16.5;GE	
	1.000 L0752254	LUMOTAST75		
	bulb/led	RAFI	T4.5;24V;DC	
	1.000 L0752251	LUMOTAST75		
-90A1-S0208 +DT1	illuminated push b	RAFI	Ed/Br:16.5;Us:250VAC;Is:4A	
	1.000 L0752250	LUMOTAST75		

filter: (not ("I"\$GERAET)and(SYMBOLTYP<>"7")and(SYMBOLTYP< (C) De La Rue Giori S.A.

format: GLGBNH

desig: A233HANS

dated: 16.7.1997

page:89

next page:90

## EQUIPMENT LIST

machine number: 621007un high item designation: =U

item inst.place	designation quantity	part.no.	manufacturer type/order no.	technical data
	lens		RAFI	
	1.000	L0752254	LUMOTAST75	16.5;GE
	bulb/led		RAFI	
	1.000	L0752251	LUMOTAST75	T4.5;24V;DC

filter: (not ("I"\$GERAET) and (SYMBOLTYP<>"7") and (SYMBOLTYP< (C) De La Rue Giori S.A.  
format: GLGBNH desig: A233HANS dated: 16.7.1997 page:90 next page:91

## EQUIPMENT LIST

machine number: 621007un high item designation: =V

item inst.place	designation quantity part.no.	manufacturer type/order no.	technical data
-10F1 +K2S	prot.motor switch 1.000 L0057713 accessory/special 1.000 L0057723	KLOECKNER-MOELLER PKZM1-0,6 KLOECKNER-MOELLER NH111-PKZM1	0.4-0.6A;690V UE:500V,AMAX.6,1S10,AQ:2.5
-10K1 +K2S	contactor/relay 1.000 L0052021	ABB BC7-30-10	Ub:19-26V;DC;Phal:3.5VA;S-el:3 H1S;Us:500V;Ps:440V/5.5KW
-10M1 +V	1.000 L6620561		

filter: (not ("I"\$GERAET)and(SYMBOLTYP&lt;&gt;"7")and(SYMBOLTYP&lt; (C) De La Rue Giori S.A.

format: GLGENH

desig: A233HANS

dated: 16.7.1997

page:91

next page:92

item inst.place	designation quantity part.no.	manufacturer type/order no.	technical data
-1S1 +Z	limit/posit.switch 1.000 L0752641 accessory/special 1.000 L0752642	SCHMERSAL AZ15ZVRK SCHMERSAL B1	230VAC;4A 56*28*16MM
-1S2 +Z	limit/posit.switch 1.000 L0752641 accessory/special 1.000 L0752642	SCHMERSAL AZ15ZVRK SCHMERSAL B1	230VAC;4A 56*28*16MM
-1S3 +Z	limit/posit.switch 1.000 L0752641 accessory/special 1.000 L0752642	SCHMERSAL AZ15ZVRK SCHMERSAL B1	230VAC;4A 56*28*16MM
-1S4 +Z	limit/posit.switch 1.000 L0752641 accessory/special 1.000 L0752642	SCHMERSAL AZ15ZVRK SCHMERSAL B1	230VAC;4A 56*28*16MM
-1X1 +Z	adapter/plug eleme 1.000 L0725322 plug/socket 4.000 L0752977	MURRELEKTRONIK MVSS-J-276047 MURRELEKTRONIK 27625	Un:24V;In:2 (50VA)A;Ans:4+1 5pol.;250V;3A;0.75mm2
-4S1 +Z	limit/posit.switch 1.000 L0752641 accessory/special 1.000 L0752642	SCHMERSAL AZ15ZVRK SCHMERSAL B1	230VAC;4A 56*28*16MM
-4S2 +Z	limit/posit.switch 1.000 L0752641 accessory/special 1.000 L0752642	SCHMERSAL AZ15ZVRK SCHMERSAL B1	230VAC;4A 56*28*16MM
-4S3 +Z	limit/posit.switch 1.000 L0752641 accessory/special 1.000 L0752642	SCHMERSAL AZ15ZVRK SCHMERSAL B1	230VAC;4A 56*28*16MM
-4S4 +Z	limit/posit.switch 1.000 L0752641 accessory/special 1.000 L0752642	SCHMERSAL AZ15ZVRK SCHMERSAL B1	230VAC;4A 56*28*16MM
-4X1 +Z	adapter/plug eleme 1.000 L0725322 plug/socket 4.000 L0752977	MURRELEKTRONIK MVSS-J-276047 MURRELEKTRONIK 27625	Un:24V;In:2 (50VA)A;Ans:4+1 5pol.;250V;3A;0.75mm2
-5S1 +Z	limit/posit.switch 1.000 L0752641 accessory/special 1.000 L0752642	SCHMERSAL AZ15ZVRK SCHMERSAL B1	230VAC;4A 56*28*16MM
-5S2 +Z	limit/posit.switch 1.000 L0752641 accessory/special 1.000 L0752642	SCHMERSAL AZ15ZVRK SCHMERSAL B1	230VAC;4A 56*28*16MM
-5S3 +Z	limit/posit.switch 1.000 L0752641 accessory/special 1.000 L0752642	SCHMERSAL AZ15ZVRK SCHMERSAL B1	230VAC;4A 56*28*16MM
-5X1 +Z	adapter/plug eleme 1.000 L0725322 plug/socket 4.000 L0752977	MURRELEKTRONIK MVSS-J-276047 MURRELEKTRONIK 27625	Un:24V;In:2 (50VA)A;Ans:4+1 5pol.;250V;3A;0.75mm2
-10S1 +Z	limit/posit.switch 1.000 L0752641 accessory/special 1.000 L0752642	SCHMERSAL AZ15ZVRK SCHMERSAL B1	230VAC;4A 56*28*16MM

## EQUIPMENT LIST

machine number: 621007un high item designation: =Z

item inst.place	designation quantity part.no.	manufacturer type/order no.	technical data
-10S2 +Z	limit/posit.switch 1.000 L0752641 accessory/special 1.000 L0752642	SCHMERSAL AZ15ZVRK SCHMERSAL B1	230VAC;4A 56*28*16MM
-10S3 +Z	limit/posit.switch 1.000 L0752641 accessory/special 1.000 L0752642	SCHMERSAL AZ15ZVRK SCHMERSAL B1	230VAC;4A 56*28*16MM
-10S4 +Z	limit/posit.switch 1.000 L0752641 accessory/special 1.000 L0752642	SCHMERSAL AZ15ZVRK SCHMERSAL B1	230VAC;4A 56*28*16MM
-10X1 +Z	adapter/plug eleme 1.000 L0725322 plug/socket 4.000 L0752977	MURRELEKTRONIK MVSS-J-276047 MURRELEKTRONIK 27625	Un:24V;In:2 (50VA)A;Ans:4+1 5pol.;250V;3A;0.75mm2
-15S1 +Z	limit/posit.switch 1.000 L0752641 accessory/special 1.000 L0752642	SCHMERSAL AZ15ZVRK SCHMERSAL B1	230VAC;4A 56*28*16MM
-15S2 +Z	limit/posit.switch 1.000 L0752641 accessory/special 1.000 L0752642	SCHMERSAL AZ15ZVRK SCHMERSAL B1	230VAC;4A 56*28*16MM
-15S3 +Z	limit/posit.switch 1.000 L0752641 accessory/special 1.000 L0752642	SCHMERSAL AZ15ZVRK SCHMERSAL B1	230VAC;4A 56*28*16MM
-15S4 +Z	limit/posit.switch 1.000 L0752641 accessory/special 1.000 L0752642	SCHMERSAL AZ15ZVRK SCHMERSAL B1	230VAC;4A 56*28*16MM
-15X1 +Z	adapter/plug eleme 1.000 L0725322 plug/socket 4.000 L0752977	MURRELEKTRONIK MVSS-J-276047 MURRELEKTRONIK 27625	Un:24V;In:2 (50VA)A;Ans:4+1 5pol.;250V;3A;0.75mm2
-20S1 +Z	limit/posit.switch 1.000 L0752641 accessory/special 1.000 L0752642	SCHMERSAL AZ15ZVRK SCHMERSAL B1	230VAC;4A 56*28*16MM
-20S2 +Z	limit/posit.switch 1.000 L0752641 accessory/special 1.000 L0752642	SCHMERSAL AZ15ZVRK SCHMERSAL B1	230VAC;4A 56*28*16MM
-20S3 +Z	limit/posit.switch 1.000 L0752641 accessory/special 1.000 L0752642	SCHMERSAL AZ15ZVRK SCHMERSAL B1	230VAC;4A 56*28*16MM
-20X1 +Z	adapter/plug eleme 1.000 L0725322 plug/socket 4.000 L0752977	MURRELEKTRONIK MVSS-J-276047 MURRELEKTRONIK 27625	Un:24V;In:2 (50VA)A;Ans:4+1 5pol.;250V;3A;0.75mm2
-30S1 +Z	limit/posit.switch 1.000 L0752641 accessory/special 1.000 L0752642	SCHMERSAL AZ15ZVRK SCHMERSAL B1	230VAC;4A 56*28*16MM
-30S2 +Z	limit/posit.switch 1.000 L0752641 accessory/special 1.000 L0752642	SCHMERSAL AZ15ZVRK SCHMERSAL B1	230VAC;4A 56*28*16MM

filter: (not ("I"\$GERAET)and(SYMBOLTYP&lt;&gt;"7")and(SYMBOLTYP&lt; (C) De La Rue Giori S.A.

format: GLGBNH

desig: A233HANS

dated: 16.7.1997

page:93

next page:94



## EQUIPMENT LIST

machine number: 621007un

high item designation: =Z

item inst.place	designation quantity part.no.	manufacturer type/order no.	technical data
-30S3 +Z	limit/posit.switch 1.000 L0752641 accessory/special 1.000 L0752642	SCHMERSAL AZ15ZVRK SCHMERSAL B1	230VAC;4A 56*28*16MM
-30S4 +Z	limit/posit.switch 1.000 L0752641 accessory/special 1.000 L0752642	SCHMERSAL AZ15ZVRK SCHMERSAL B1	230VAC;4A 56*28*16MM
-30X1 +Z	adapter/plug eleme 1.000 L0725322 plug/socket 4.000 L0752977	MURRELEKTRONIK MVSS-J-276047 MURRELEKTRONIK 27625	Un:24V;In:2 (50VA)A;Ans:4+1 5pol.;250V;3A;0.75mm2
-31S1 +Z	limit/posit.switch 1.000 L0752641 accessory/special 1.000 L0752642	SCHMERSAL AZ15ZVRK SCHMERSAL B1	230VAC;4A 56*28*16MM
-31X1 +Z	adapter/plug eleme 1.000 L0725322 plug/socket 4.000 L0752977	MURRELEKTRONIK MVSS-J-276047 MURRELEKTRONIK 27625	Un:24V;In:2 (50VA)A;Ans:4+1 5pol.;250V;3A;0.75mm2
-32S1 +Z	limit/posit.switch 1.000 L0752641 accessory/special 1.000 L0752642	SCHMERSAL AZ15ZVRK SCHMERSAL B1	230VAC;4A 56*28*16MM
-32S2 +Z	limit/posit.switch 1.000 L0752641 accessory/special 1.000 L0752642	SCHMERSAL AZ15ZVRK SCHMERSAL B1	230VAC;4A 56*28*16MM
-32S3 +Z	limit/posit.switch 1.000 L0752641 accessory/special 2.000 L0752642	SCHMERSAL AZ15ZVRK SCHMERSAL B1	230VAC;4A 56*28*16MM
-32X1 +Z	adapter/plug eleme 1.000 L0725322 plug/socket 4.000 L0752977	MURRELEKTRONIK MVSS-J-276047 MURRELEKTRONIK 27625	Un:24V;In:2 (50VA)A;Ans:4+1 5pol.;250V;3A;0.75mm2
-33S1 +Z	limit/posit.switch 1.000 L0752641 accessory/special 1.000 L0752642	SCHMERSAL AZ15ZVRK SCHMERSAL B1	230VAC;4A 56*28*16MM
-33S2 +Z	limit/posit.switch 1.000 L0752641 accessory/special 1.000 L0752642	SCHMERSAL AZ15ZVRK SCHMERSAL B1	230VAC;4A 56*28*16MM
-33S3 +Z	limit/posit.switch 1.000 L0752641 accessory/special 1.000 L0752642	SCHMERSAL AZ15ZVRK SCHMERSAL B1	230VAC;4A 56*28*16MM
-33X1 +Z	adapter/plug eleme 1.000 L0725322 plug/socket 4.000 L0752977	MURRELEKTRONIK MVSS-J-276047 MURRELEKTRONIK 27625	Un:24V;In:2 (50VA)A;Ans:4+1 5pol.;250V;3A;0.75mm2

filter: (not ("I"\$GERAET) and (SYMBOLTYP<>"7") and (SYMBOLTYP< (C) De La Rue Giori S.A.

format: GLGBNH

desig: A233HANS

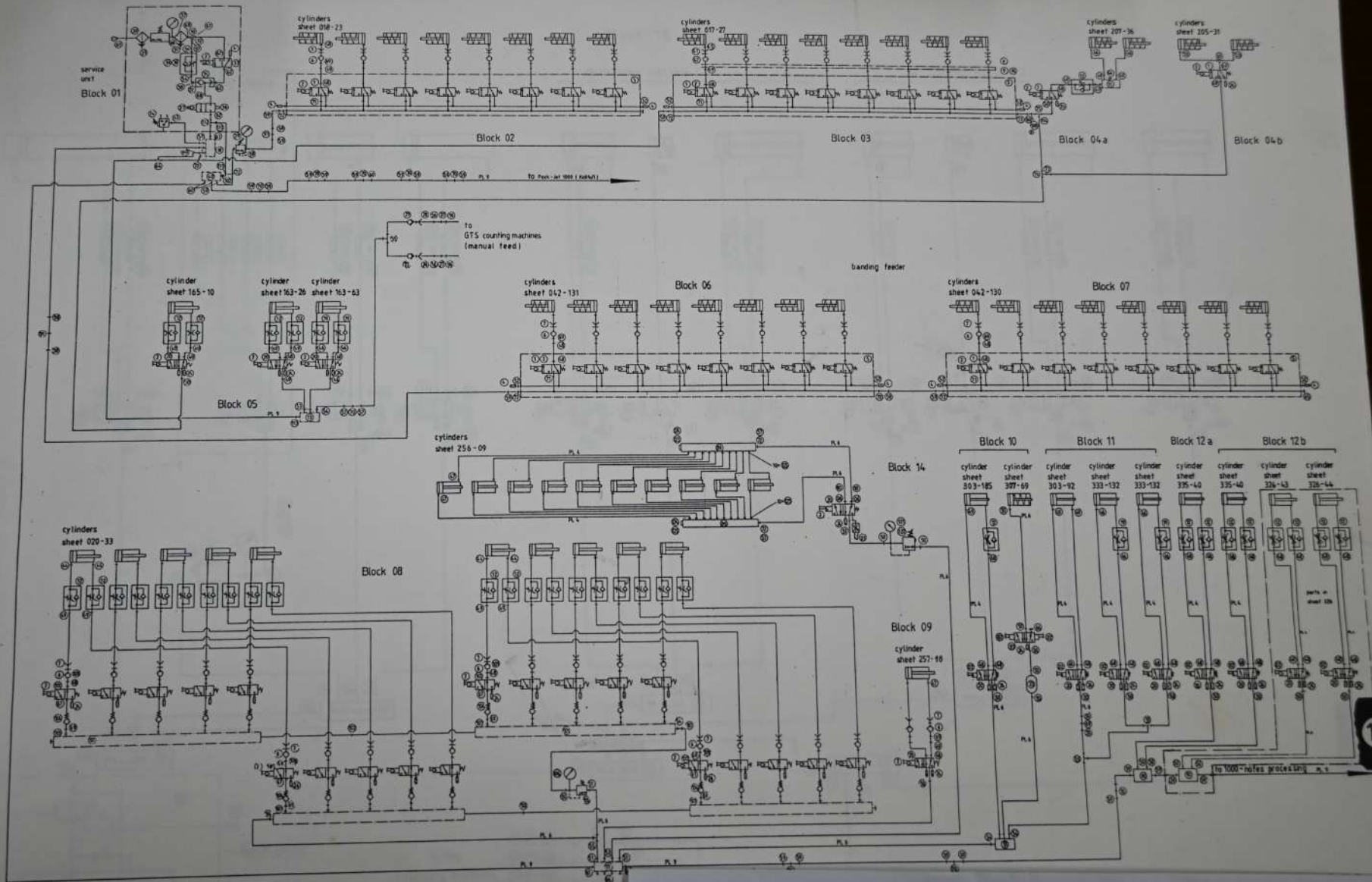
dated: 16.7.1997

page:94

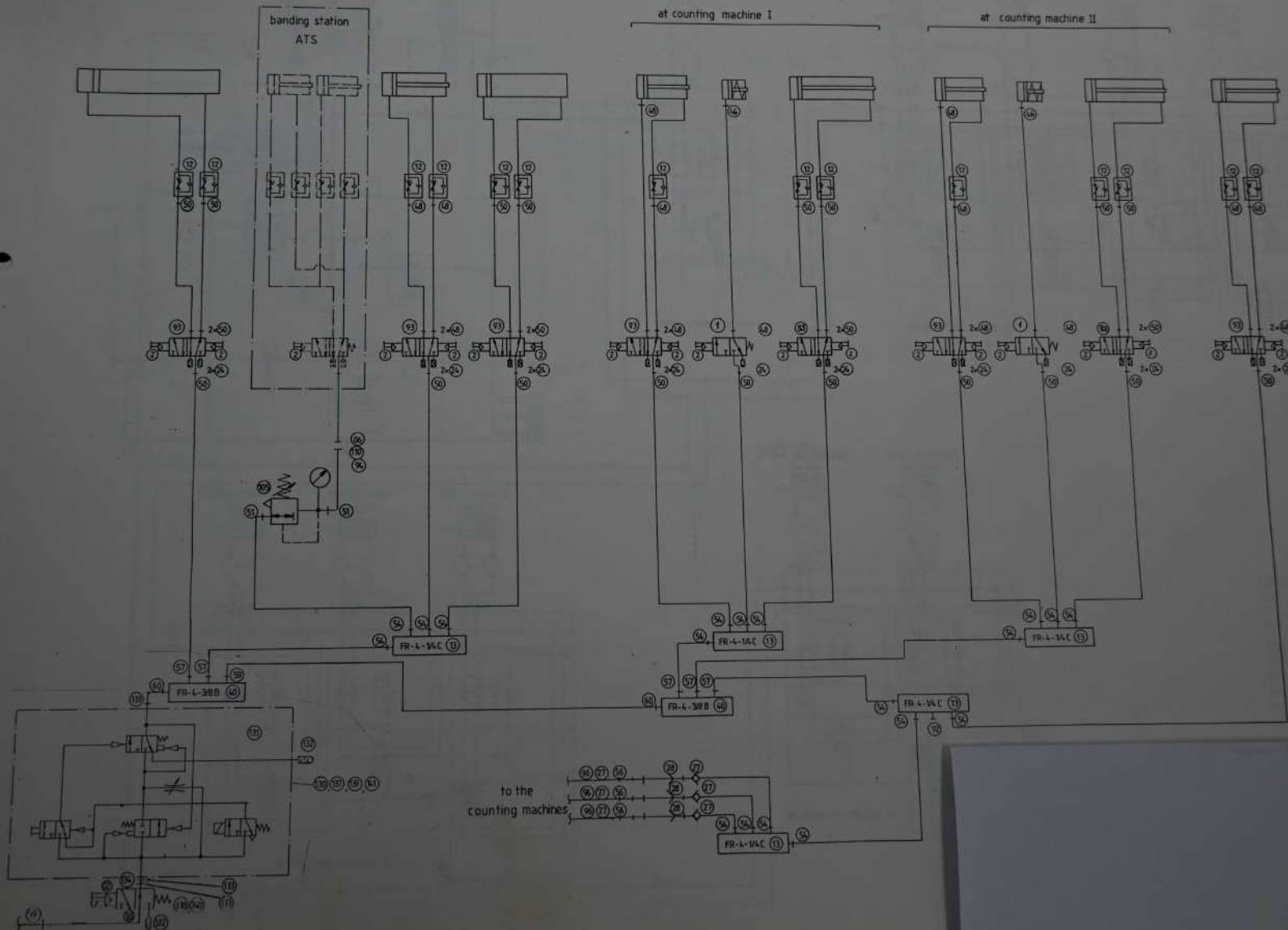
next page:

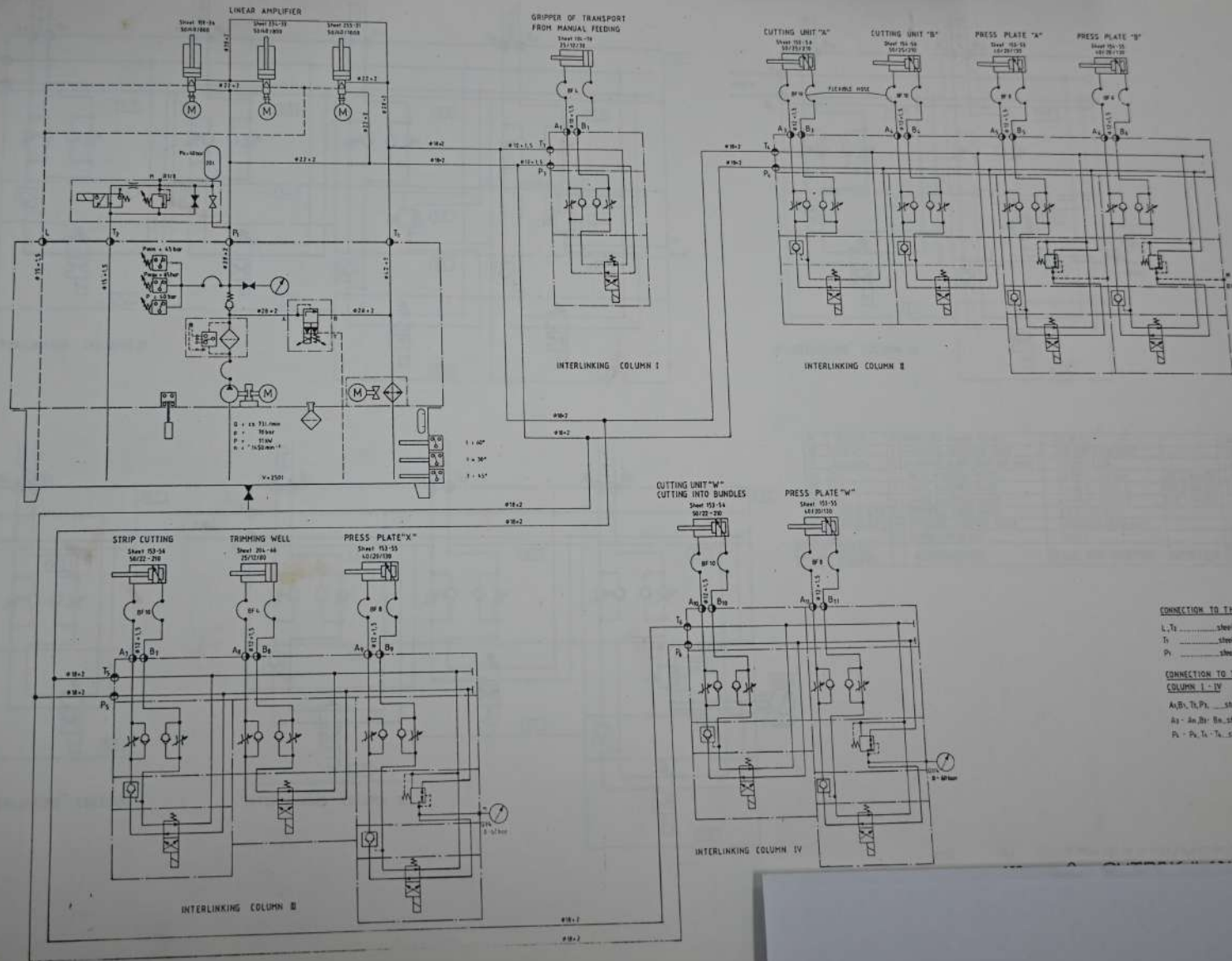
EQUIPMENT LIST machine number: 621007un high item designation: = K

item inst. place	designation quantity part no.	manufacturer type/order no.	technical data
<u>-G4M2</u> <u>+K2</u>	Blower 1.000 K105596	ELECTROR KARL W. MOLLER 17-060	3 $\phi$ AC, $\Delta$ 220-300/Y380-520 V. 2.3, 3.0 / 1.3, 2.0 TROP 3.1, 2.8 / 1.8, 1.6 Amp. 0.62, 0.98 KW, 50/60 Hz. 2780 / 3380 RPM Cos $\phi$ - 0.8, KI-B, IP54 22/27 m <sup>3</sup> /min.
<u>-G4M3</u> <u>+K2</u>	Blower 1.000 K102228	M4E 068-CFO1 -39	1 $\phi$ AC, 220V, 50Hz, 0.33A, 28W, 1250 RPM, 2 $\mu$ F, 400 VDB
<u>-G7M2</u> <u>+K2</u>	DC Gear Motor 1.000 K102170	WEG KGG 223	G-Motor, IP 22 Anker A-B 220V, 1.15A Feld I-K 200V, 0.14A 185W, 3000 RPM, Isol KI-B Getz G 11-10 i 24.1 VDE 0530 12.84



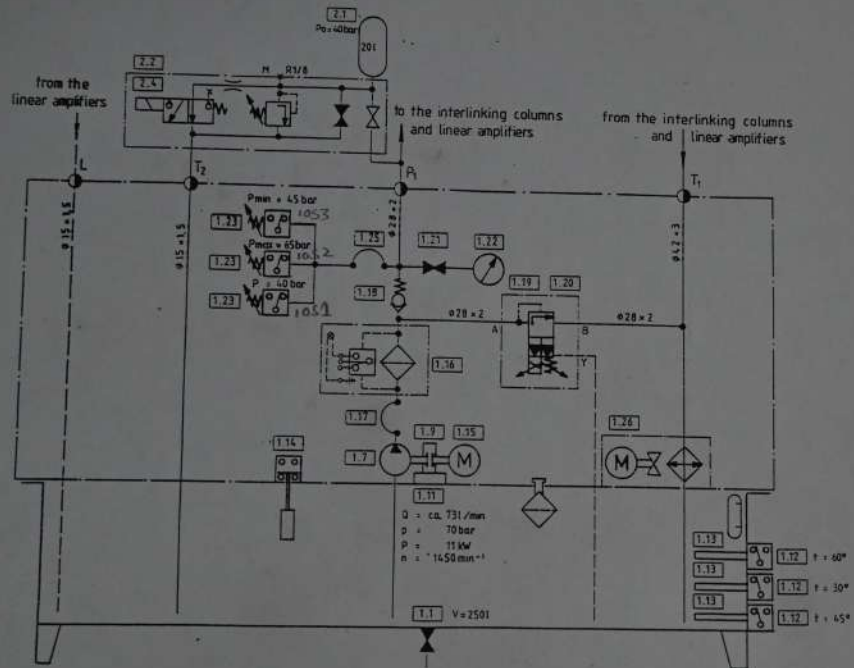
Block 15





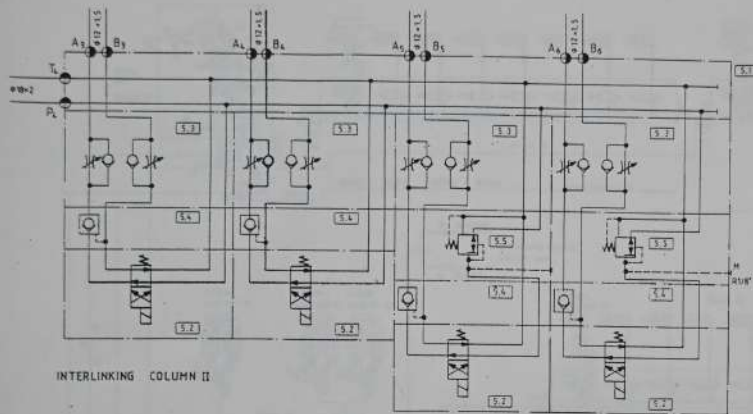
CONNECTION TO THE HYDRAULIC UNIT  
 L, T<sub>1</sub> ..... steel pipe AD 12  
 T<sub>2</sub> ..... steel pipe AD 42  
 P<sub>1</sub> ..... steel pipe AD 28

CONNECTION TO THE INTERLINKING COLUMN I-IV  
 A<sub>1</sub>, B<sub>1</sub>, T<sub>1</sub>, P<sub>1</sub> ..... steel pipe G 3/8  
 A<sub>2</sub> - A<sub>n</sub>, B<sub>2</sub> - B<sub>n</sub> ..... steel pipe G 1/2  
 P<sub>2</sub> - P<sub>n</sub>, T<sub>2</sub> - T<sub>n</sub> ..... steel pipe G 3/4

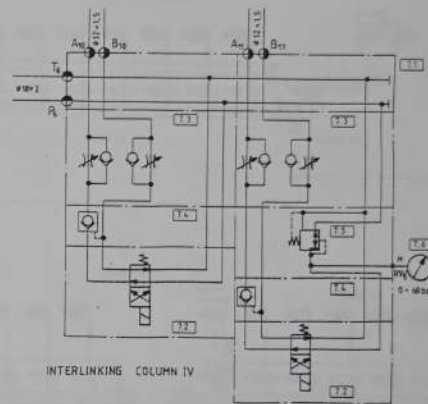


1.053 - pressure control 60 bar (Max)  
 1.052 - Pressure control Min 40 bar  
 1.051 - pressure control 35 bar

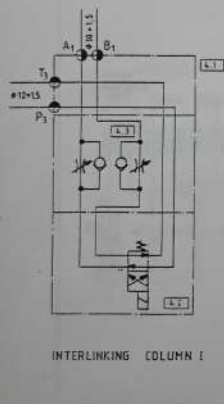
position part list	SERIAL-NUMBER	DESIGNATION	DETAIL FOR ORDERING	NOTATION	NUMBER OF PART
21	2.4	THREE WAY PUMP VALVE	M-3SE 402X/315024RZ4/0.15		1.664.590.0
20	2.2	ACCUM SAFETY-ISOLATING DEVICE	SA 32 E27/ 1000/PP 8		1.667.998.0
19	2.3	BLADDER ACCUMULATOR	AB52-01 50.210-100A 1.112-		1.667.907.0
18	1.7.6	HEAT EXCHANGER OIL / AIR	AB 32-08 2.7805 231 31		1.667.086.0
17	1.25	MEASURING LINE	L 1000 AB20-11		1.667.995.0
16	1.23	PISTON TYPE PRESSURE SWITCH	ME 040A 1X / 100/15 L 24 G		1.664.095.0
15	1.22	PRESSURE GAUGE	100/100 AB 31-10		1.664.596.0
14	1.21	PRESSURE GAUGE ISOLATOR VALVE	AB 21-15		1.667.990.0
13	1.20	CONNECTION PLATE	G 409 / T		1.667.993.0
12	1.19	PROPORTIONAL VALVE	D 0 6 M 20-3 X / 100 Y		1.666.583.0
11	1.18	CHECK VALVE	S 20 A 1 X		1.666.582.0
10	1.17	PRESSURE HOSE	H100/28 L X 300		1.664.581.0
09	1.16	FILTER COMPLETE	LFBWPHCBMG001.0/L124		1.662.902.0
		ONLY FILTER ELEMENT	0330 D 10 BPHC		1.664.590.0
08	1.15	MOTOR	11 kW		1.662.901.0
07	1.14	FLOAT SWITCH	AB 31-04		1.664.589.0
06	1.13	SCREW SLEEVE	AB 31-27		1.662.900.0
05	1.12	THERMOSTAT	0° - 140°		1.664.588.0
04	1.11	PUMP SUPPORT FOOT	AB 33-33/E 350-2		1.667.999.0
03	1.9	COUPLING	AB 33-22 KD 38		1.667.998.0
02	1.7	INTERNAL GEAR PUMP	1PP 2 GM 2 1X/50RE 07 H4	70 Liter 70 bar	1.667.997.0
01	1.1	OIL TANK	HG 250		1.667.896.0



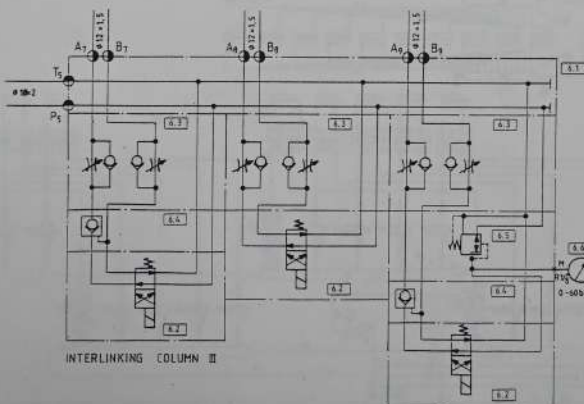
INTERLINKING COLUMN II



INTERLINKING COLUMN IV



INTERLINKING COLUMN I



INTERLINKING COLUMN III

06	4.6/7.6	2	PRESSURE GAUGE 1M/60	AN 30-10			L.682 112.0
08	5.6/6.3/7.6	6	PRESSURE REDUCING VALVE	22R W SP-2.6/2.75 YM			L.682 115.1
07	5.6/6.3/7.6	8	SANDWICH PLATE - SHUT OFF VALVE	2.2 STD AT-1X			L.689 161.1
05	7.1	1	VALVE ASSEMBLY PLATE	2 H SR 10-18/17 D	FOR 2 VALVES		L.682 112.0
05	8.1	1	VALVE ASSEMBLY PLATE	1 H SR 10-18/17 D	FOR 3 VALVES		L.682 111.0
05	5.1	1	VALVE ASSEMBLY PLATE	1 H SR 10-10/10 D	FOR 4 VALVES		L.682 110.0
03	4.7/5.3/5.1/3	10	THROTTLE CHECK VALVE	2.2 PS 10-20/V			L.688 107.1
02	4.2/5.2/5.2/7.2	10	DIRECTIONAL CONTROL VALVE	4 WE 10 D 22/AS 24 KZ 4			L.688 111.1
01	4.1	1	CONNECTION PLATE	0.66/1			L.682 110.0
			DESIGNATION	DETAIL, FOR ORDERING	NOTATION		NUMBERS OF PART



**ANNEXURE-IV**

**TENDER NO : 6000018391**

**SUMMARY OF REVISED PRICE SCHEDULE (FOR INDIAN BIDDERS): PRICES SHOULD BE ON FOR, CNP, NASHIK ROAD BASIS.**

TENDER NO.6000018391

**(AS PER MSTC E-PROCUREMENT PORTAL)**

(Indigenous Offers)

To,

Currency Note Press, Nashik

A Unit of Security Printing & Minting

Corporation of India Limited

Wholly Owned by Govt. of India, Nashik

OFFER FORM for Tender No. 6000018391 Date of opening .....Time.....Hours.....

We ..... hereby certify that we are established firm of manufacturers / authorized agents of M/s..... with factories at ..... which are fitted with modern equipment and where the Production methods, quality control and testing of all materials and parts manufactured or used by us are open to inspection by the representative of ...(Name of Purchaser). We hereby offer to supply the following items at the prices indicated below:

Sr No	Item description	UOM (Unit of measurement)	HSN/SAC CODE	Unit Rate (Rs.)	IGST @....%	CGST @.....%	SCGT @.....%	Total rate per unit (Rs) (FOR CNP, Nashik) inclusive of GST, and other charges(Rs.)	Qty.	Total Amount (Rs.)
1	2	3	4	5	6	7	8	9= (5+6+7+8)	10	11=(9*10)
<b>UP-GRADATION OF EXISTING MACHINE CONTROL SYSTEM WITH LATEST VERSION PLC SYSTEM MACHINE PROGRAM SOFTWARE ALONG WITH ELECTRICAL/ELECTRONICS HARDWARE OF MACHINE.</b>										
1	<b>COST OF ALL MATERIAL</b>	AU							1	
2	<b>COST OF INSTALLATION, TESTING &amp; COMMISSIONING</b>	AU							1	
3									<b>Grand Total (Rs.)</b>	





**TENDER NO : 6000018391**

1. Scope of Supply: (Cost break-up of the quoted cost, showing inter-alia costs of all the concomitant Installation/ Commissioning/ Training/ Technical Support/ incidental services/ software/ accessories, considered necessary to make the proposal self-contained and complete must be indicated here.)

2. Taxation Details:

- a) PAN number
- b) Type of GST Registration (Registered, Unregistered, Composition, SEZ, RCM etc.)
- c) GSTIN number
- d) Registered Address as per GST registration and Place of Delivery for GST Purpose
- e) Contact Names, Nos. & email IDs for GST matters (Please mention primary and secondary contacts)

.....  
3. It is hereby certified that we have understood the General and Special Instructions to Tenderer's (GIT and SIT), and also the General and Special Conditions of Contract (GCC and SCC) attached to the tender and have thoroughly examined specifications/ Quality Control Requirements and other stipulations in Section VII & VIII – Technical Specifications and Quality Control Requirements; and are thoroughly aware of the nature of stores required and our offer is to supply stores strictly in accordance with the requirements and according to the terms of the tender. We agree to abide solely by the General and Special Conditions of Contract and other conditions of the tender in accordance with the tender documents if the contract is awarded to us.

4. We hereby offer to supply the stores detailed above or such portion thereof, as you may specify in the acceptance of tender at the price quoted and agree to hold this offer open for acceptance for a period of ---- days from the date of opening of tender (i.e., up to ----), We shall be bound by the communication of acceptance dispatched within the prescribe time.

Dated.....

Signature and seal of Manufacturer/Bidder

Note:

- (i) The Bidder may prepare their own offer forms as per this proforma.
- (ii) No change in the proforma is permissible.
- (iii) No erasures or alternations in the text of the offer are permitted. Any correction made in the offer shall be initialed by the bidder.
- (iv) This Section should not bring in any new Technical Parameter that has not been mentioned in the Technical Bid.